

## Keystone DIN-Rail Adapter, 2-Port

Part no.: MP0052

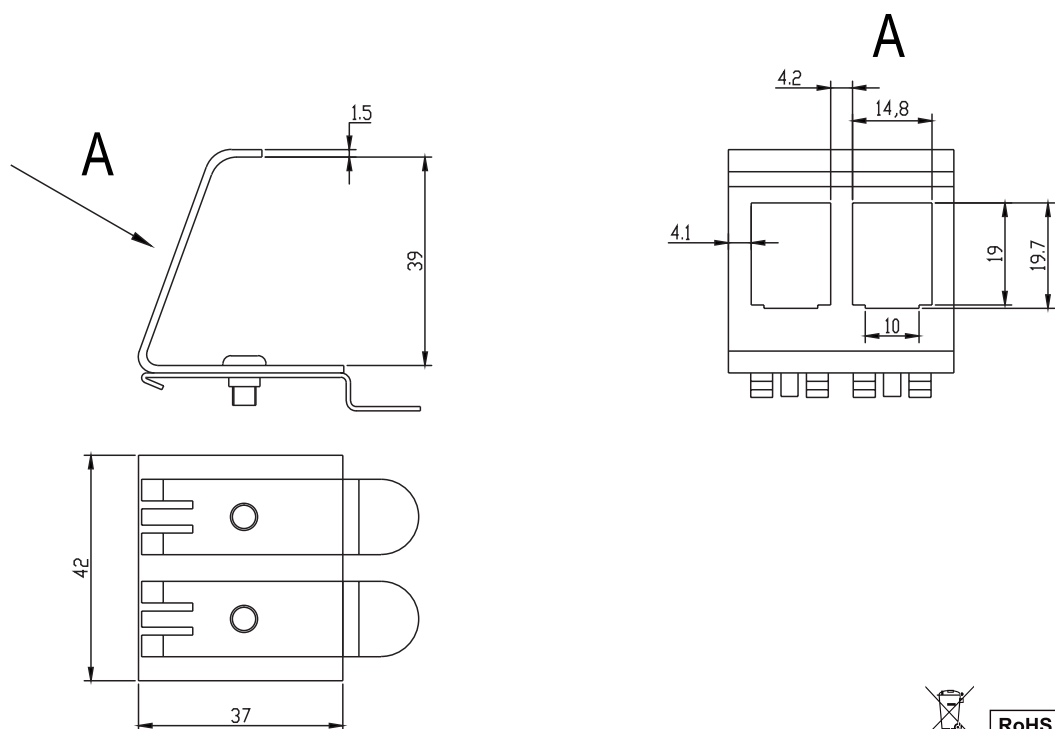
### Technical Features

For carrying two RJ45 keystone modules

Solid metal bracket

1.5mm stainless steel

### Technical Drawings



MP0052



4 052792 041088

Made in China

[www.logilink.de](http://www.logilink.de)



RoHS  
compliant



\* The specifications and pictures are subject to change without notice.  
\*All trade names referenced are the registered trademark of their respective owners.

## Package Contents

Keystone DIN-Rail Adapter, 2-Port x1

## Packaging Informations

Packing Dimension	100 x 125 x 50mm
Packing Weight	0.06kg
Carton Dimension	325 x 325 x 260mm
Carton Q'ty	150pcs
Carton Weight	8.2kg



MP0052



4 052792 041088

Made in China

[www.logilink.de](http://www.logilink.de)



RoHS  
compliant



\* The specifications and pictures are subject to change without notice.  
\*All trade names referenced are the registered namework of their respective owners.