



Strain Relief Boots for RJ45 Modular Plug

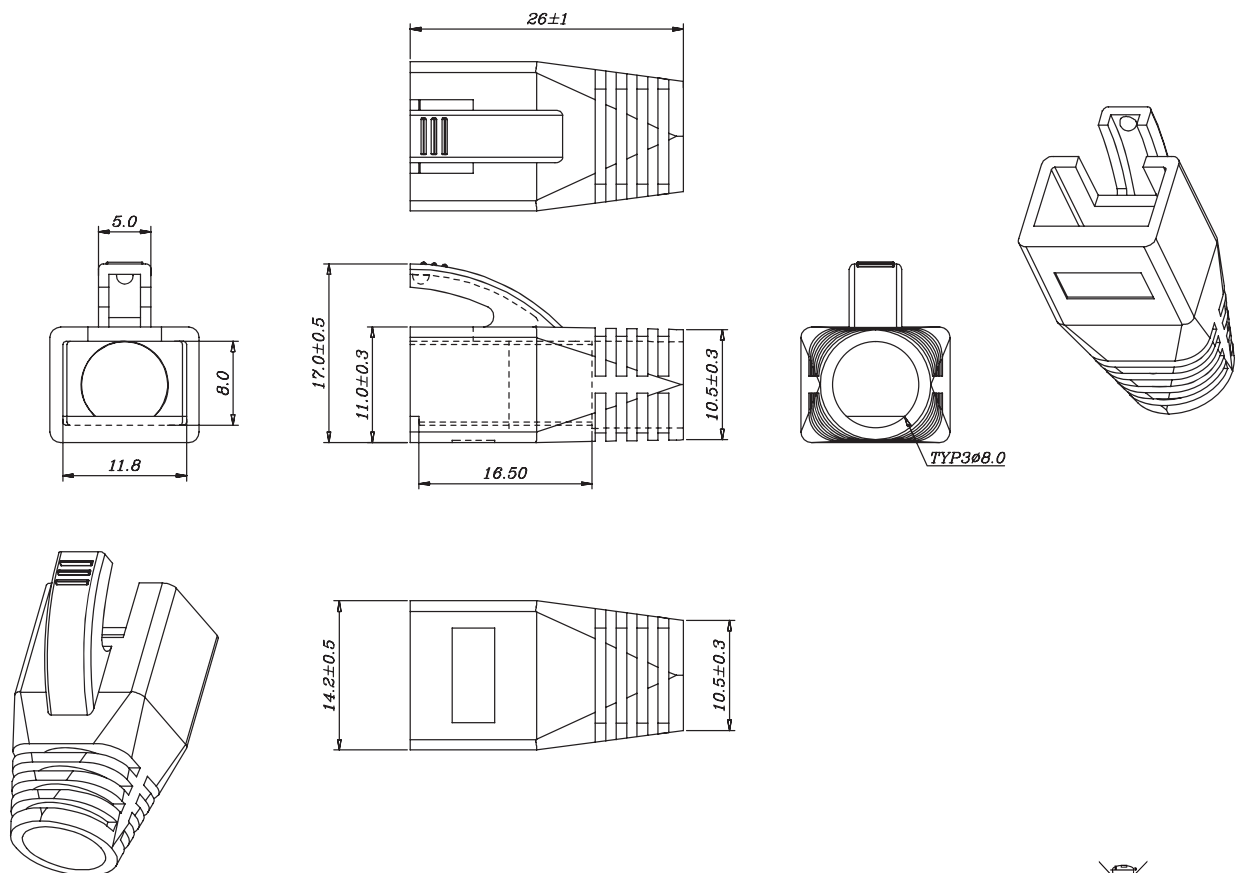
Technical Features

For modular RJ45 plug cable

Fits to the cable with max. O.D. 8mm

Color: Grey

Technical Drawings



www.logilink.de



RoHS
compliant



Made in China

* The specifications and pictures are subject to change without notice.
* All trade names referenced are the registered trademark of their respective owners.

Part-No.	Packing	EAN Code
MP0034	10pcs/Bag	4052792033090
MP0035	50pcs/Bag	4052792033106

Package Contents

Strain Relief Boots for RJ45 Modular Plug

Packaging Informations

Packing Dimension	mm
Packing Weight	kg
Carton Dimension	400 x 375 x 290mm
Carton Q'ty	500pc
Carton Weight	kg

