



Cat.5e RJ45 Plug Connector, shielded

Technical Features

For shielded Cat.5e round cable

With gold plated pins

For stranded wire

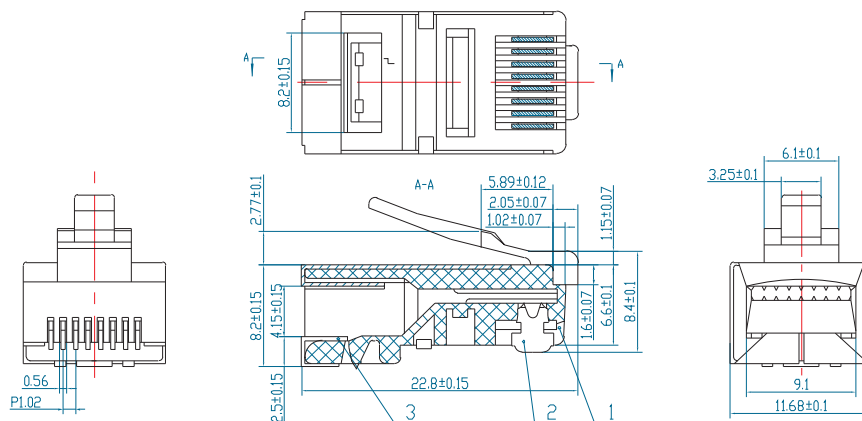
Set with 100 pcs each

RAL7035 Light Grey or RAL9005 Black

Part-No.	Color	EAN Code
MP0003	Grey	4052792003833
MP0004	Black	4052792003840

Technical Drawings

MP0003



www.logilink.de



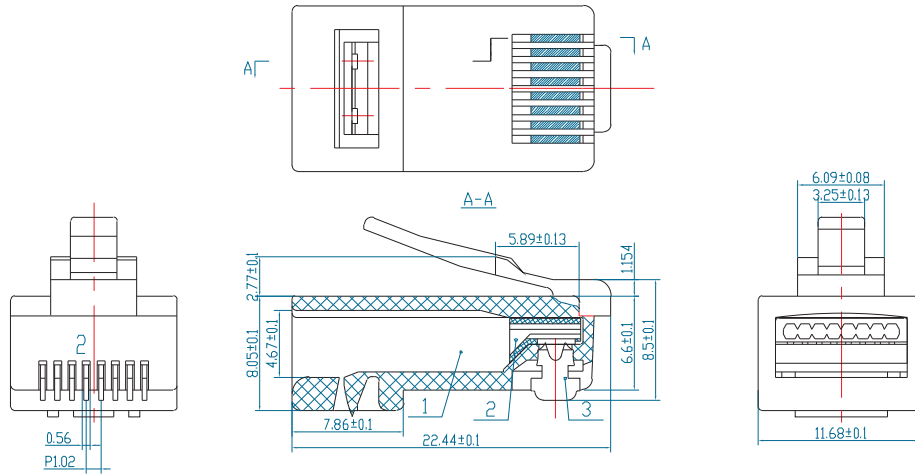
RoHS
compliant



Made in China

* The specifications and pictures are subject to change without notice.
*All trade names referenced are the registered trademark of their respective owners.

MP0004



Package Contents

100pc x Cat.5e RJ45 plug connector

Packaging Informations

Packing Dimension	180 x 220mm
Packing Weight	0.24kg
Carton Dimension	360 x 310 x 260mm
Carton Q'ty	50pc
Carton Weight	13kg

www.logilink.de



RoHS
compliant



* The specifications and pictures are subject to change without notice.
*All trade names referenced are the registered network of their respective owners.