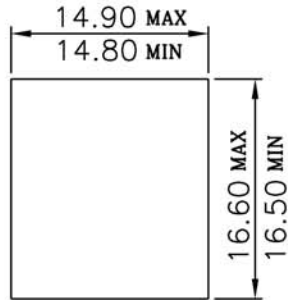
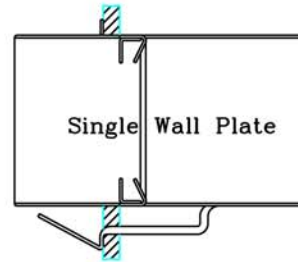
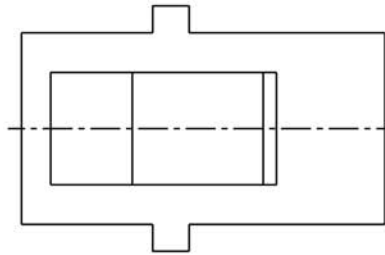
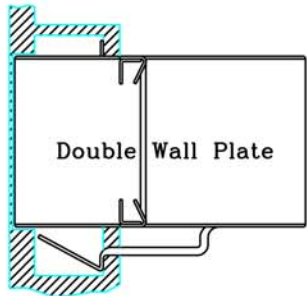
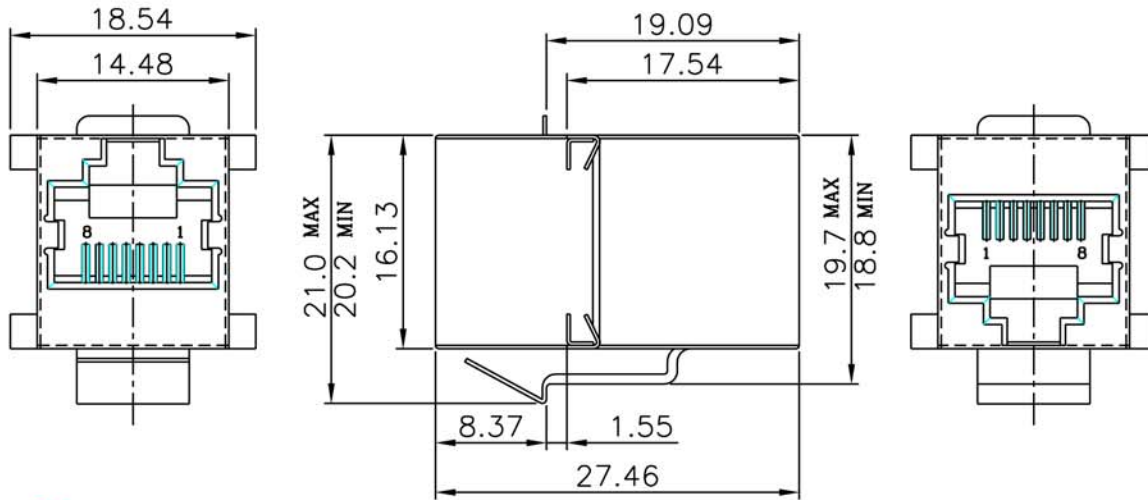
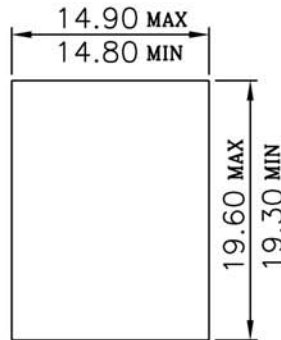


This document is the property of Amphenol Corporation and is delivered on the express condition that it is not to be disclosed, reproduced or used, in whole or in part, for the manufacture or sale by anyone other than Amphenol Corporation without its prior consent, and that no right is granted to disclose or to use any information in this document.



Front Panel Jack Only Clearance
W/O Latch Feature



Single Panel-Latch Clearance
Panel Thickness 0.062 inch

MATERIALS:
SHIELDED: STAINLESS STEEL.
PLASTIC HOUSING: ENGINEERING THERMOPLASTIC
 FLAMMABILITY RATING UL 94V-0.
CONTACTS: 0.35MM THICKNESS PHOSPHOR BRONZE
PLATING: SELECTIVE GOLD PLATING OVER NICKEL

Ordering Information

LMJK088 X HM
 a

a: Contact Plating

- 1: 6u" gold
- 2: 15u" gold
- 3: 30u" gold
- 5: 50u" gold



TOLERANCE (mm)	APPROVALS	DATE	TITLE	AMPHENOL Amphenol European Design Center	
X. ±0.3	DRAWN Stephane	14/Mar/2012	Modular Coupler Jack 8P8C Shielded	Scale N.A.	Sheet 1 of 1
X.X ±0.2	CHECKED Rob	14/Mar/2012			
X.XX ±0.15	APPROVED Rob	14/Mar/2012			
UNLESS OTHERWISE SPECIFIED			UNIT : mm	SIZE : A4	DRAWING N° LMJK088XHM
					REV. A