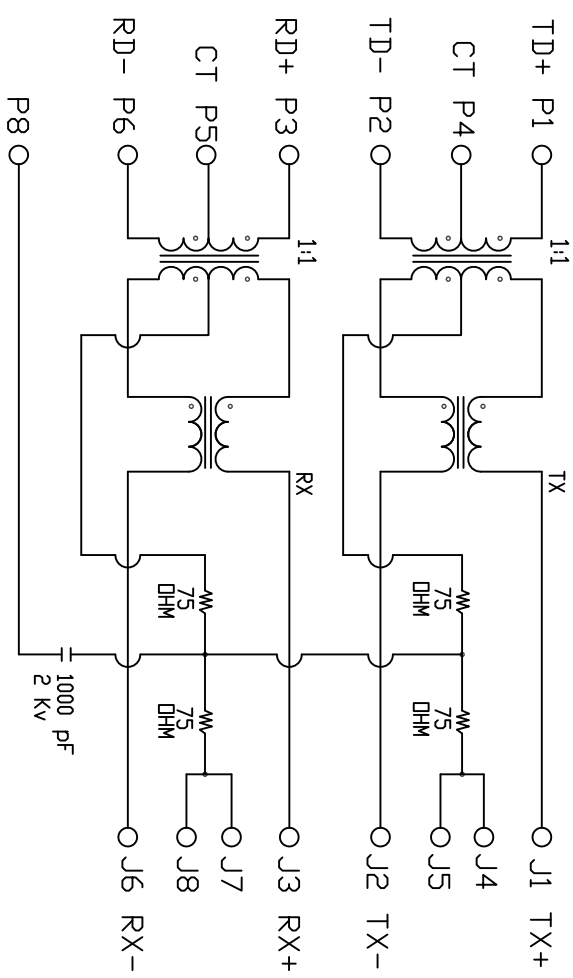


ELECTRICAL CHARACTERISTICS

TEST NOTES: (25°±5°C)

1. TR: (100KHZ, 0.1V);
PINS:(1-2)<(J1-J2)=1CT:1CT±3%;
PINS:(3-6)<(J3-J6)=1CT:1CT±3%;
2. LX: (100KHZ, 100mV, 8mA, DC Bias)
PINS: (1,2),(3,6)=350uH MINIMUM
3. DCR:
PINS: (1-2),(J1-J2),(J3-J6)=1.0 OHMS MAXIMUM.
PINS: (5-6)=1.2 OHMS MAXIMUM.
4. HIPDT:
PINS(1,4,2)TD<(J1,J2)=1500VAC FOR 2 SECONDS
PINS(3,5,6)TD<(J3,J6)=1500VAC FOR 2 SECONDS
5. INSERTION LOSS:
-1.0dB MAXIMUM AT 1MHZ TD 100MHZ
6. RETURN LOSS:
-20dB MINIMUM AT 1MHZ TD 30MHZ
-15dB MINIMUM AT 30MHZ TD 60MHZ
-10dB MINIMUM AT 60MHZ TD 100MHZ
7. CROSS TALK:
-30dB MINIMUM AT 1MHZ TD 100MHZ
8. COMMON TD COMMON MODE REJECTION:
-30dB MINIMUM AT 1MHZ TD 100MHZ

CONNECTOR SOLDER SIDE RJ45 CONTACT SIDE



CONNECTOR SCHEMATIC

TOLERANCE (mm)	APPROVALS	DATE	TITLE	SCALE	SHEET
X, ±0.3	BRAM Stephane	2012/May/29	10/100 Base-T RJ45, Single port, Top entry, w/LED & Transformer	A4	LMJ213881XS01LOT6C
X,X ±0.2	CHECKED Rob	2012/May/29			
X,XX ±0.15	APPROVED Rob	2012/May/29			
UNLESS OTHERWISE SPECIFIED	UNIT	mm	SIZE DRAWING N°	Scale N.A.	Sheet 2 of 2

