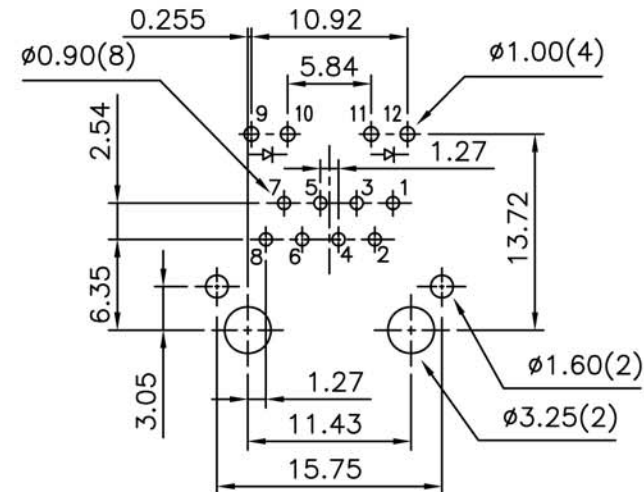
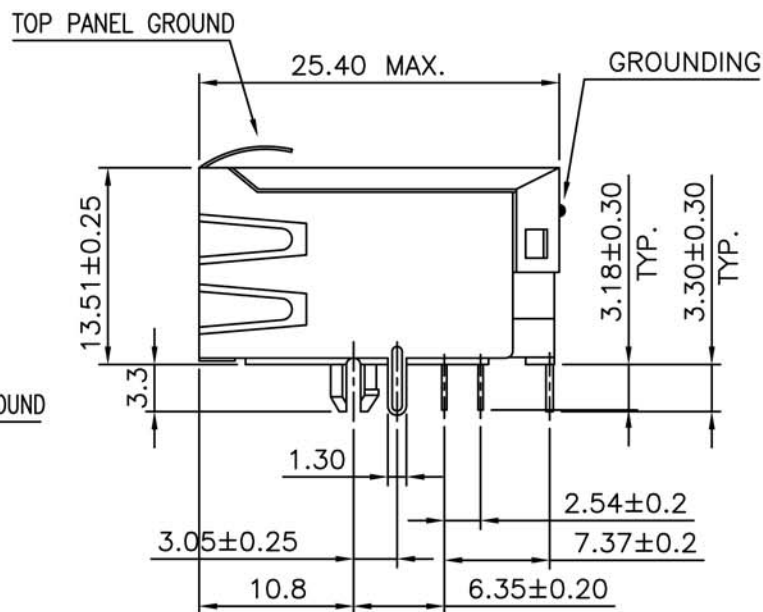
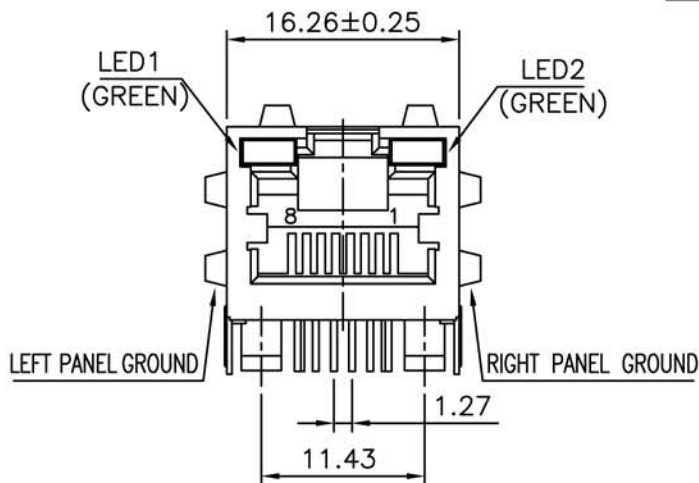


MATERIAL:

- HOUSING—DSM STANYL TE250F6 (NYLON-46)
HEAT DEFLECTION TEMP.290°
BLACK COLOR, UL94V-0.
- CONTACTS—0.35mm THICK PHOS-BRONZE PLATED
WITH HARD GOLD IN SOLDER AREA.
- SHIELD—0.20mm THICK COPPER ALLOY,
PLATED WITH NICKEL.

CAVITY CONFIRMS TO FCC RULES AND REGULATIONS
PART 68,SUBPART F.



PCB LAYOUT
Ref.

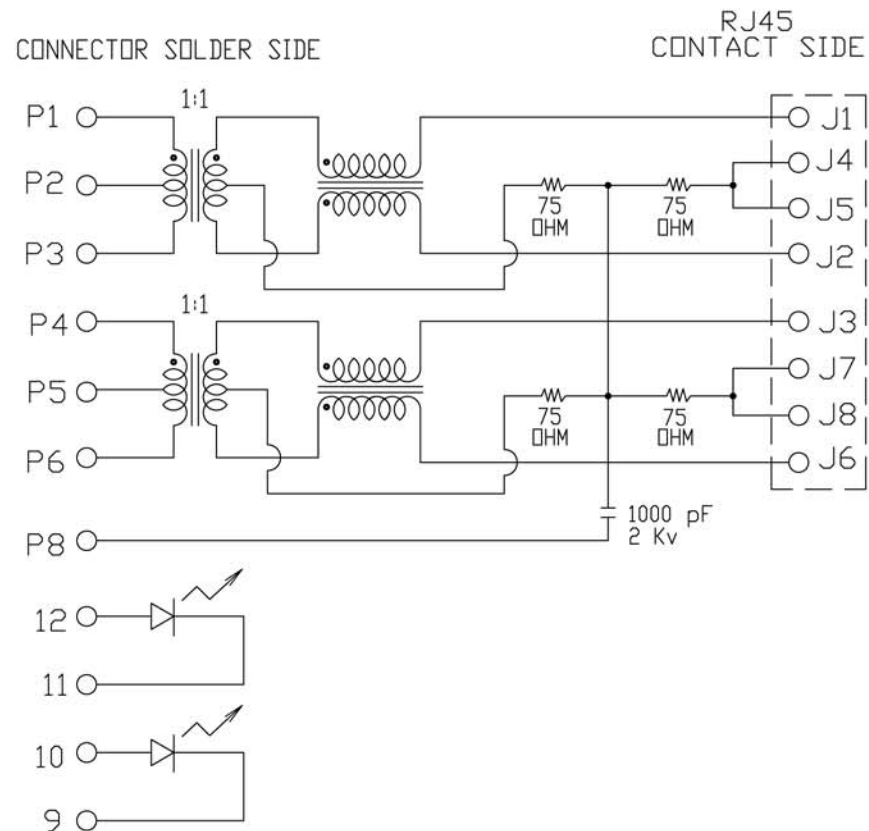


TOLERANCE (mm)	APPROVALS	DATE	TITLE	AMPHENOL Amphenol European Design Center	
X. ±0.3	DRAWN Stephane	11/Nov/2010	Transformer Modular Jack RJ45 R/A Dip w/shielded & LED	Scale N.A.	Sheet 1 of 2
X.X ±0.2	CHECKED Rob	11/Nov/2010			
X.XX ±0.15	APPROVED Rob	11/Nov/2010			
UNLESS OTHERWISE SPECIFIED	UNIT mm	SIZE A4	DRAWING N° LMJ201881X130DL3T1LFG	REV. A	

Specification :

Item	Parameter	Condition	Min.	Typ.	Max.	Unit
1	Insertion loss	1-100 MHz			-1	dB
2	Return loss	1-30 MHz	-20			dB
		30-60 MHz	-15			dB
		60-80 MHz	-12			dB
3	Primary Inductance @100KHz, 0.1Vrms, 8mA DC BIAS	(J1-J2), (J3-J6)	350			μ H
4	Crosstalk	1-100 MHz	-35			dB
5	Hipot	Vrms	1.5			kV
6	COMMON MODE REJECTION	1-100 MHz	-35			dB

* OPERATING TEMPERATURE RANGE: 0°C TO +70°C.



CONNECTOR SCHEMATIC

Ordering Information

LMJ201881X130DL3T1LFG

- Contact plating
- 1:15U" gold
- 2:30U" gold
- 3:50U" gold
- 4:6U" gold



TOLERANCE (mm)	APPROVALS	DATE	TITLE	AMPHENOL
X. ±0.3	DRAWN Stephane	11/Nov/2010	Transformer Modular Jack RJ45 R/A Dip w/shielded & LED	Amphenol European Design Center
X.X ±0.2	CHECKED Rob	11/Nov/2010		
X.XX ±0.15	APPROVED Rob	11/Nov/2010		
UNLESS OTHERWISE SPECIFIED	UNIT: mm	SIZE: A4	DRAWING N°: LMJ201881X130DL3T1LFG	Scale N.A. Sheet 2 of 2
				REV. A