

ELECTRICAL CHARACTERISTICS:

1. TURNS RATIO :

(P6-P5-P4): (J6-J3)
(P3-P2-P1): (J2-J1)

:1CT:1CT ± 3%
:1CT:1CT ± 3%

2. INDUCTANCE: (P6-P4)
(P3-P1)

: 350uH MIN. @ 0.1V, 100KHz,8mA DC Bias
: 350uH MIN. @ 0.1V, 100KHz,8mA DC Bias

3. LEAKAGE INDUCTANCE: P6-P4 (WITH J6 AND J3 SHORT)
P3-P1 (WITH J2 AND J1 SHORT)

: 0.3 MAX. @ 1MHz
: 0.3 MAX. @ 1MHz

4. INTERWINDING CAPACITANCE: (P6,P5,P4)TO(J6,J3)
(P3,P2,P1)TO(J2,J1)

: 30pf MAX. @1MHz
: 30pf MAX. @1MHz

5. DC RESISTANCE: (J6-J3)=(J2-J1)

: 1.2 ohms Max.

6. CROSSTALK

:-30dB MIN AT 1MHz TO 100MHz

7. INSERTION LOSS

:-1.0dB MAX AT 1MHz TO 100MHz

8 RETURN LOSS

:-20dB MIN AT 1MHz TO 30MHz

-15dB MIN AT 30MHz TO 60MHz

-10dB MIN AT 60MHz TO 80MHz

NOTES

1.0 PINS WITHOUT ELECTRICAL CONNECTION ARE OMITTED

Ordering Information

LMJ199882X_a110DL1T39J

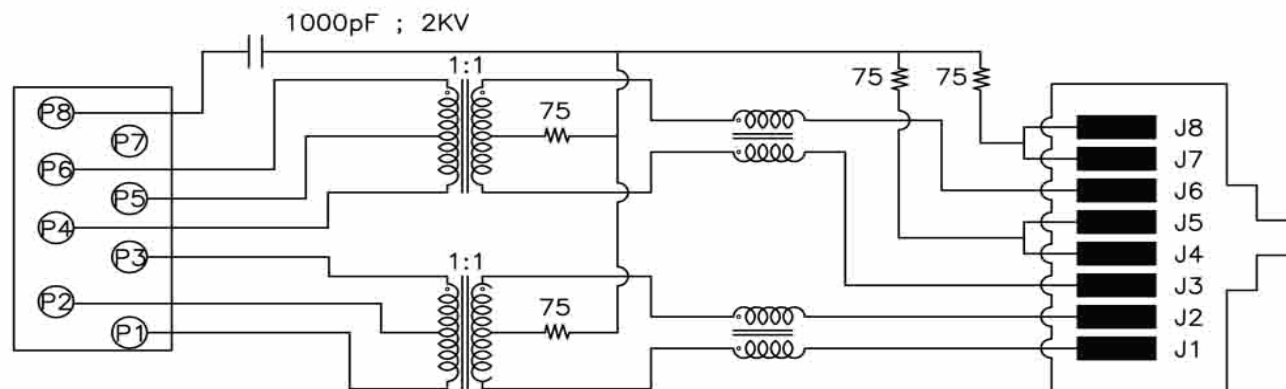
a: Contact plating

1: 15u"gold

2: 30u"gold

3: 50u"gold

4: 6u"gold



CONNECTOR SCHEMATIC



TOLERANCE (mm)	APPROVALS	DATE	TITLE	Amphenol Amphenol European Design Center	
X.X +/-0.30	DRAWN Stephane	05/Mar/2018	Transformer RJ45,with shell,with LED, side entry	Scale N.A.	Sheet 2 of 2
X.XX +/-0.20	CHECKED Rob	05/Mar/2018			
X.XXX +/-0.10	APPROVED Rob	05/Mar/2018			
Angle +/-3°					
UNLESS OTHERWISE SPECIFIED		UNIT: mm	SIZE: A4	Drawing No	LMJ199882X110DL1T39J
					REV. B