

Kat.6A Keystone Buchse, Schneid-/Klemm- oder werkzeugfreier Anschluss

Cat.6A Keystone Jack, Punch-down & Tool-free

Part no.: KJ28F11

Technical Features

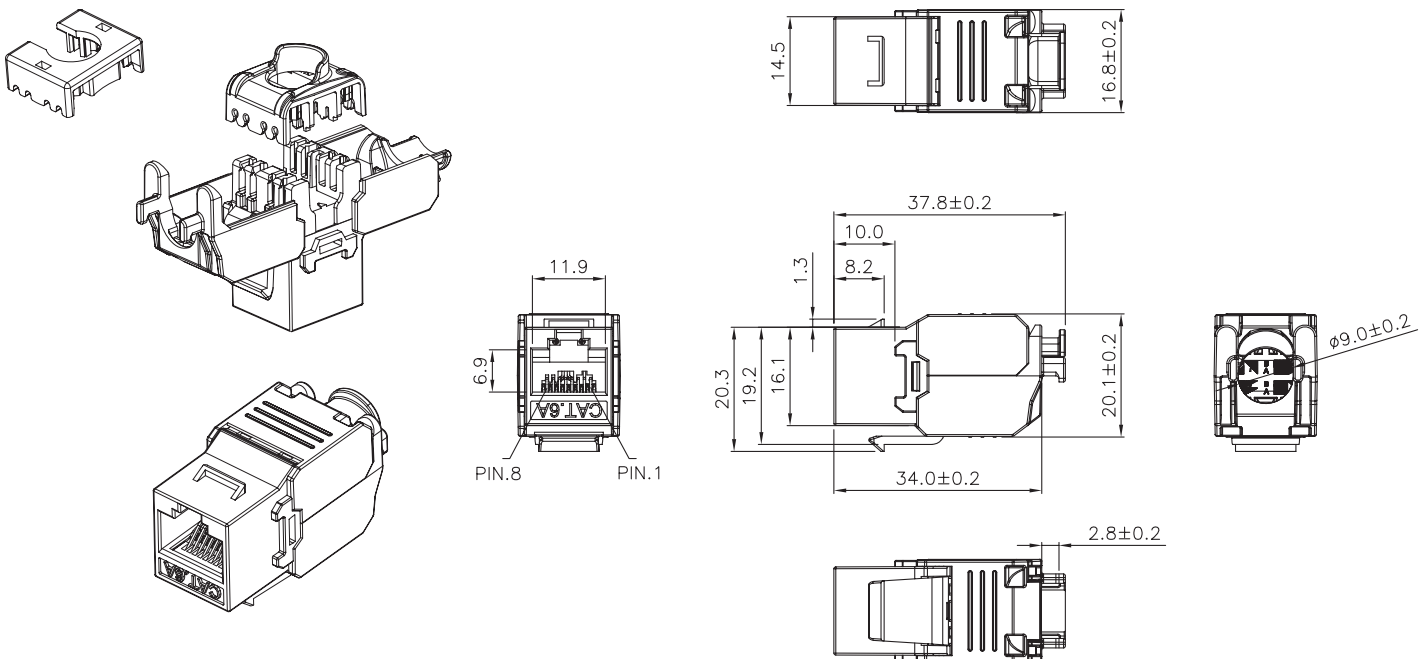
Cat6A Unshielded Keystone Jack

Conform to TIA/EIA 568C.2 & ISO/IEC 11801

T568 A/B Wire Code for AWG22-26 Cables

ETL-, 3P & UL Certified, Cat6A Component

Technical Drawings



KJ28F11



4 052792 031287

Made in China

www.logilink.com



RoHS
compliant



* The specifications and pictures are subject to change without notice.
*All trade names referenced are the registered trademark of their respective owners.

Package Contents

Cat.6A Keystone Jack, Punch-down & Tool-free x 1

Packaging Informations

Packing Dimension	mm
Packing Weight	kg
Carton Dimension	480 x 390 x 253mm
Carton Q'ty	500pcs
Carton Weight	6.2kg

KJ28F11



4 052792 031287

Made in China

www.logilink.com



RoHS
compliant



* The specifications and pictures are subject to change without notice.
*All trade names referenced are the registered namework of their respective owners.