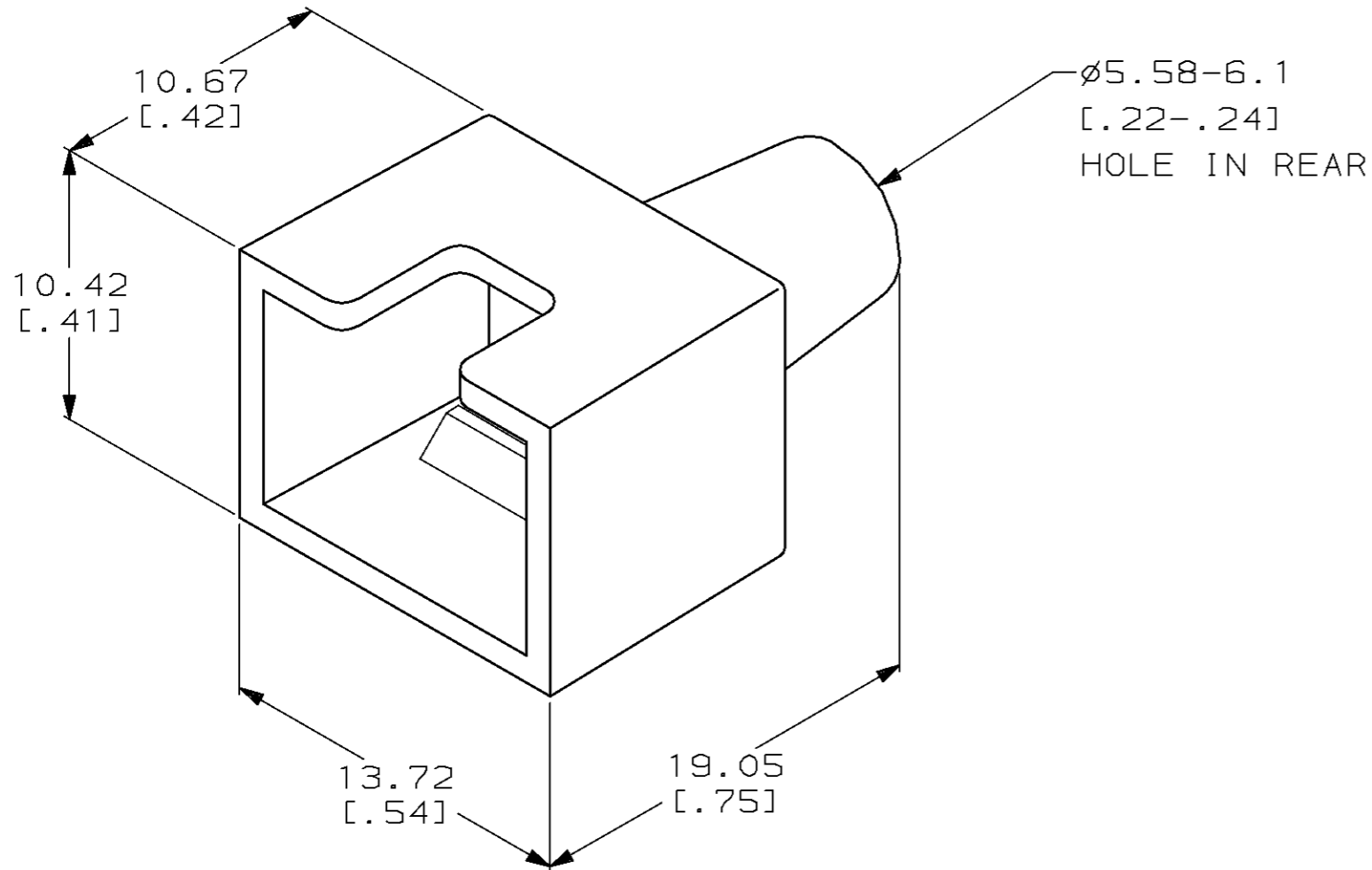


THIS DRAWING IS UNPUBLISHED. RELEASED FOR PUBLICATION, 19 .
 © COPYRIGHT 19 BY AMP INCORPORATED. ALL INTERNATIONAL RIGHTS RESERVED.

LOC	DIST	P	F	ZONE	LTR	DESCRIPTION	DATE	APPD
AA	28				0	RLSD FOR SALE; NPR C94-236	8-10-94	DLD DH

- ① MATERIAL: ELASTOMER POLYOLEFIN, SEE TABLE FOR COLOR.
- ② DIMENSIONS ARE MAXIMUM UNLESS OTHERWISE SPECIFIED.



VIOLET	558211-9
WHITE	558211-8
ORANGE	558211-7
YELLOW	558211-6
BLUE	558211-5
GREEN	558211-4
RED	558211-3
LT ALMOND	558211-2
BLACK	558211-1
COLOR	PART NO

THIS DRAWING IS A CONTROLLED DOCUMENT FOR AMP INCORPORATED. IT IS SUBJECT TO CHANGE AND THE CONTROLLING ENGINEERING ORGANIZATION SHOULD BE CONTACTED FOR THE LATEST REVISION.

DO NOT SCALE PRINT. UNLESS SPECIFIED DIMENSIONS IN mm [INCHES] TOLERANCES ON: 2 PLC DEC ± - 3 PLC DEC ± - ANGLES ± -	DR 8-10-94 D.L. DRUMMOND	AMP AMP Incorporated Harrisburg, PA 17105-3608
	CHK 8-19-94 D. HUSSEY	
	APPD 8-26-94 B. ANTHONY	
	APPD 8-26-94 J. SCHLUNZ	
MATERIAL	PRODUCT SPEC	NAME
FINISH	APPLICATION SPEC	BOOT, MODULAR PLUG
	WEIGHT -	SIZE B
		CAGE CODE 00779
		DRAWING NO C-558211
		SCALE 4:1
		SHEET 1 OF 1