

RJ45 ACCESSORIES

Plastic and metal cap – Protection cap



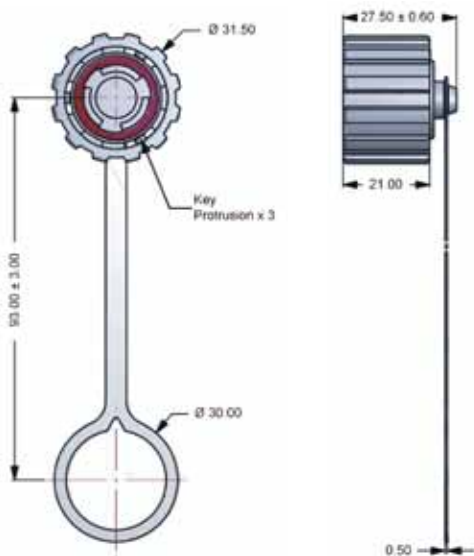
RoHS compliant

DESCRIPTION

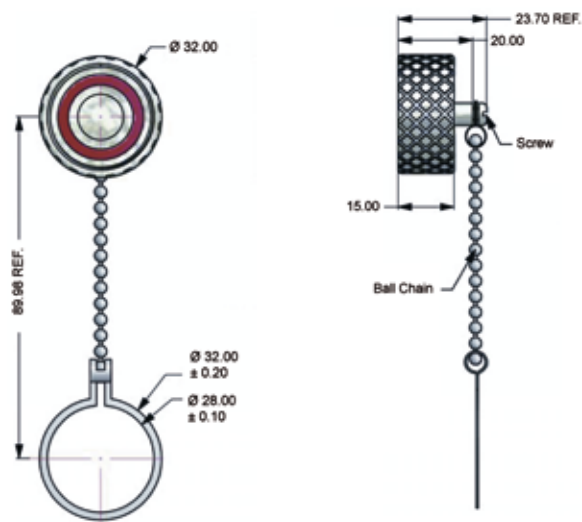
- IP67 rated
- Cap black plastic, metallized plastic with bayonet locking
- Metal cap with M28 thread

PRODUCT DRAWING

Plastic or metal design – Bayonet locking



Metal cap – M28 thread



ORDER DATA

Accessories	Part Number
Protection cap/Black plastic/Bayonet locking	17-10002
Protection cap/Metallized plastic/Bayonet locking	17-10014
Protection cap/Full metal/M28 Screw thread	17-100950