



AMP Circular Plastic Connectors (CPC) Series 45 Ethernet

DESCRIPTION

- This new series of CPC products accepts RJ45 inserts. The same CPC performance interface that is widely accepted over many markets has been expanded to handle Ethernet communications through Category 5 and 5e requirements.

KEY FEATURES

- For Category 5 and 5e cables
- Sealing performance per IP 67
- Protective sealing cap available for the receptacles
- Positive lock coupling ring provides for reliable connections

STANDARDS & SPECS

- Design Objective: 108-2203
- Application Specification: 114-13137

APPLICATIONS

- Industrial machinery, Diagnostic equipment, Communications equipment, Printers, and any potential application where Ethernet is used when the connector requirement calls for a sealed, rugged connector interface.

- Available pass-through and field installable receptacle styles
- Unshielded and shielded product offerings

- Instruction Sheets: 408-8949 408-8950
408-8951 408-10091

FOR MORE INFORMATION

Internet:
www.tycoelectronics.com

E-mail: newproducts@
tycoelectronics.com

USA: 1-800-522-6752
Canada: 1-905-470-4425
Mexico: 01-800-733-8926
C. America: 52-55-1106-0803
South America: 55-11-2103-6000
Hong Kong: 852-2735-1628
Japan: 81-44-844-8013
UK: 44-208-420-8341

RoHS
Ready 

 **Tyco Electronics**

Our commitment. Your advantage.

ELECTRICAL

- Meets TIA/EIA-56-B.2 Category 5 requirements

MATERIALS

- UV resistant and UL 94V-0 housing material

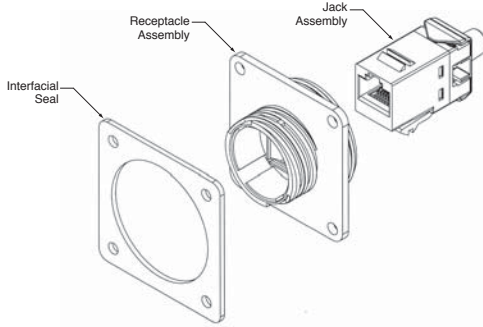
MECHANICAL

- Positive lock coupling ring
- Polarized for proper mating between connector halves

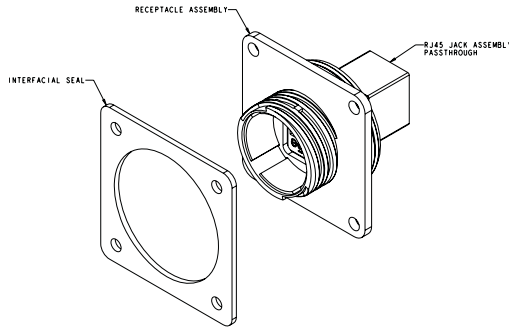
- Operating temperature: -55°C to +105°C [-67°F to +221°F]

PRODUCT DIMENSIONS & PRODUCT OFFERING

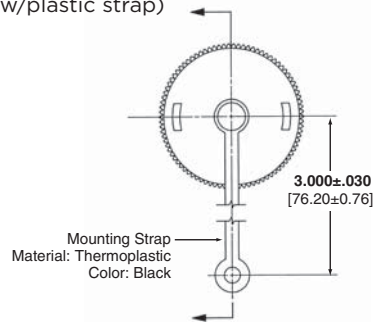
Receptacle Kit, Wire Terminated, Unshielded – Part No. 1546877-1



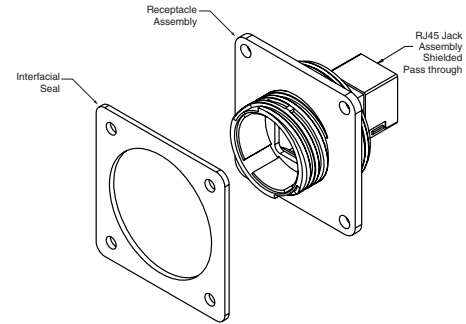
Receptacle Kit, Pass-through RJ45/RJ45 – Part No. 1776186-1



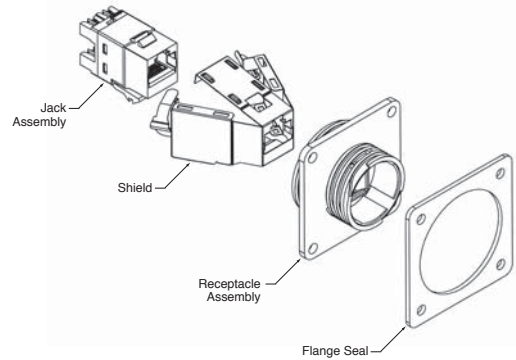
Receptacle Sealing Caps
Part No. 207445-1 (w/plastic strap)



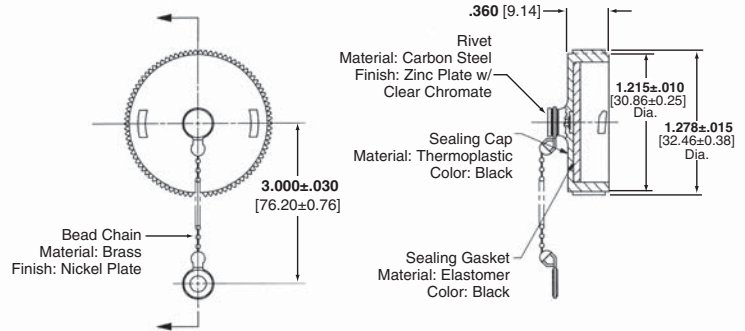
Receptacle Kit, Shielded Pass-through RJ45/RJ45 – Part No. 1986172-1



Receptacle Kit, Wire Terminated, Shielded – Part No. 1546908-1



Part No. 208652-1 (w/beaded chain)



Plug Kit, Unshielded –

Solid Wire, Part No. 1546876-1
Stranded Wire, Part No. 1546876-2

Plug Kit, Shielded –

Solid Wire, Part No. 1546907-1
Stranded Wire, Part No. 1546907-2

