

VS-09-SET-STD

Order No.: 1689145



<http://eshop.phoenixcontact.de/phoenix/treeViewClick.do?UID=1689145>

D-SUB connector set, shell size 1, IP67 degree of protection

Commercial data

EAN	4017918878009
Pack	1 pcs.
Customs tariff	85366990
Weight/Piece	0.0568 KG
Catalog page information	Page 328 (PC-2009)

Product notes

WEEE/RoHS-compliant since:
07/04/2006



<http://www.download.phoenixcontact.com>
Please note that the data given here has been taken from the online catalog. For comprehensive information and data, please refer to the user documentation. The General Terms and Conditions of Use apply to Internet downloads.

Technical data

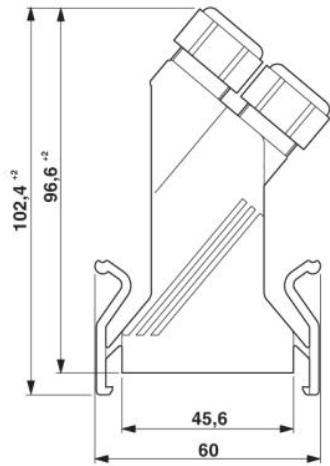
General characteristics

Design	09
Degree of protection	IP67
Inflammability class acc. to UL 94	V0
Cable exit	Angled
Housing material	PA

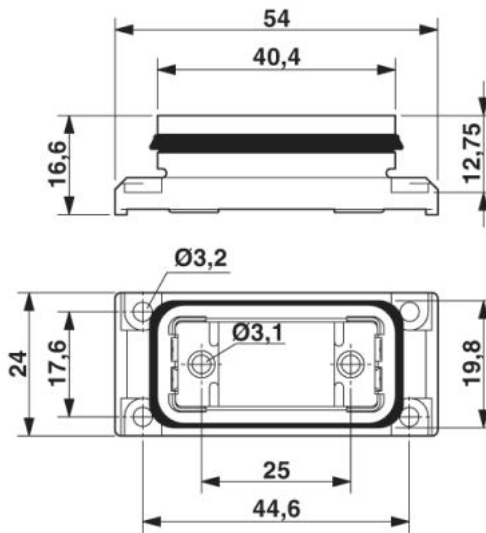
Seal material	Flat gasket: NBR; profile gasket: EPDM
Ambient temperature (operation)	-40 °C ... 80 °C

Drawings

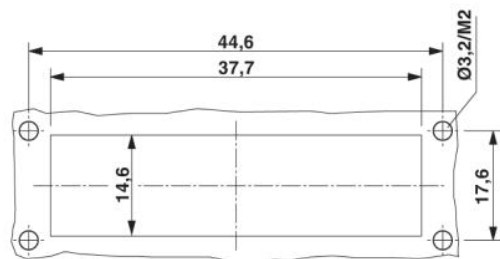
Dimensioned drawing



D-SUB sleeve housings



D-SUB panel mounting frame
 Panel cutout



Address

PHOENIX CONTACT GmbH & Co. KG
Flachsmarktstr. 8
32825 Blomberg, Germany
Phone +49 5235 3 00
Fax +49 5235 3 41200
<http://www.phoenixcontact.com>



© 2009 Phoenix Contact
Technical modifications reserved;