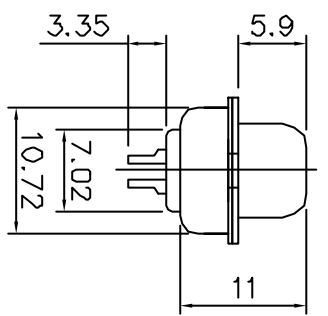
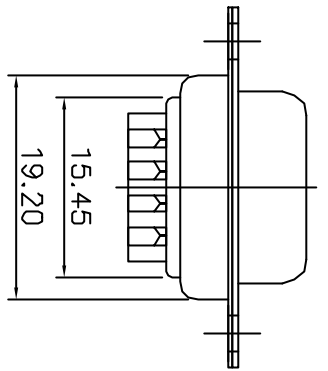
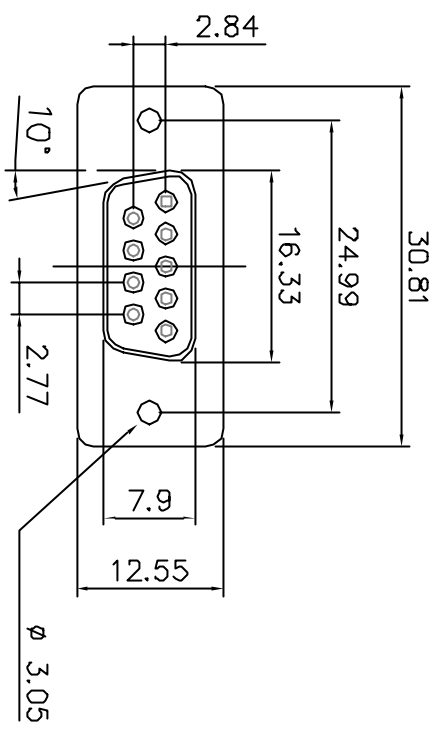


This document is the property of Amphenol Corporation and is delivered on the express condition that it is not to be disclosed, reproduced or used, in whole or in part, for the manufacture or sale by anyone other than Amphenol Corporation without its prior consent, and that no right is granted in disclosure or to use any trademark in this document.

FEMALE



### Specifications

- Contact Resistance: 30m ohms max. at DC 100mA
- Insulator Resistance: 1000M ohms min. at DC 500V
- Current Rating: 5 AMP
- Dielectric Withstanding
- Voltage: AC 1000V For 1 minute
- Operating Temperature: -55°C ~ +105°C
- Shell : steel, tin plated
- Contact: Brass
- Plating mating area : Selective gold over 50° Ni
- Tails : Tin over 50° Ni
- Housing: PBT & 30% Glass Fiber (UL 94V-0)
- ROHS compliant
- MSL components : level 3
- MSL packaging : level 1

Drawing number	Contact plating
L77SDE09S	Gold flash
L177SDE09S	.15µ inches
L77SDE09SC309	.30µ inches

TOLERANCE n/in	APPROVALS	DATE	TITLE
X.X	DESIGN	07/12/06	SD SERIES D-SUB CONNECTOR SOLDER CUP SOCKET
X.X	DESIGNED	07/12/06	
X.X	APPROVED	07/12/06	
			AMPHENOL AMPHENOL SOCAPEX Dole Plant
			Scale N.A. Sheet 1 of 1
			REV: B

UNIT	MM

SIZE	FORMAT
A4	L-77SDE09S----