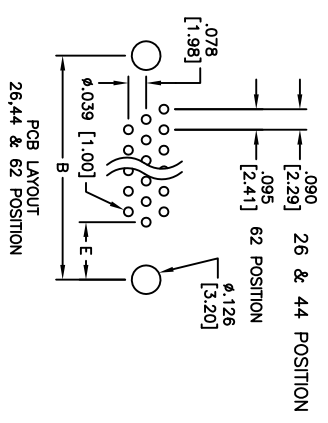
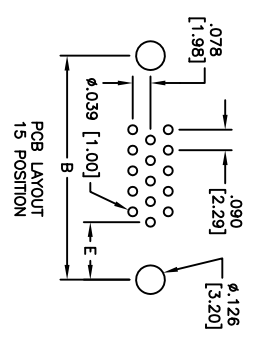
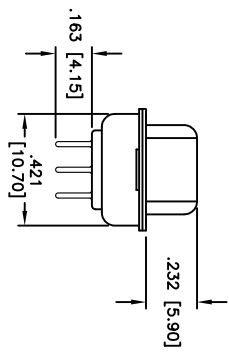
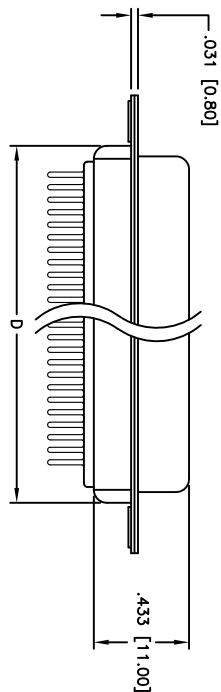
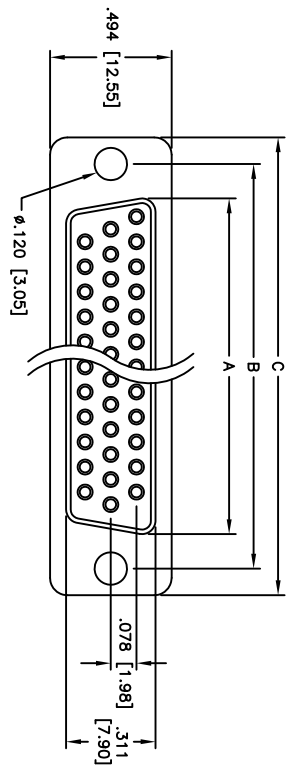


Rev	AWO #	Description	Date	Appr
-		RELEASED	5/5/05	

APPROVED: _____
 DATE: _____ TITLE: _____



Positions	DIMENSIONS				
	A	B	C	D	E
15	.643 [16.33]	.984 [24.99]	1.213 [30.81]	.759 [19.28]	.277 [7.04]
26	.971 [24.66]	1.312 [33.32]	1.541 [39.14]	1.083 [27.51]	.271 [6.88]
44	1.511 [38.38]	1.852 [47.04]	2.088 [53.04]	1.626 [41.30]	.271 [6.88]
62	2.159 [54.84]	2.500 [63.50]	2.729 [69.32]	2.271 [57.70]	.275 [7.00]

Unit: Inch / mm

SPECIFICATIONS:

Material: Insulator: PBT, glass reinforced, rated UL 94V-0
 Insulator color: Black
 Contacts: Phosphor Bronze
 Shell: Steel, Tin plated
 Plating: Gold flash over Nickel underplate overall

Electrical: Operating voltage: 250 VAC max
 Current rating: 5 Amps max
 Contact resistance: 20 mohms max
 Insulation resistance: 5,000 Mohms min
 Dielectric withstanding voltage: 1,000 VAC for 1 minute

Temperature Rating: Operating temperature: -65°C to +125°C
 Environmental: Lead free, RoHS compliant

Environmental: Lead free, RoHS compliant

ADAM TECH

909 Railway Avenue, Union, NJ 07083
 Phone: 908-687-5000 Fax: 908-687-5710

HIGH DENSITY D-SUB SOCKET, PCB TAILS
 .120 [3.05] MOUNTING HOLES

UNLESS OTHERWISE SPECIFIED ALL DIMENSIONS ARE INCHES [MM]		TITLE	
TOLERANCES: EXCEPT AS NOTED	INCHES	HOLES	DATE
.X ± .10	ØXX ± .10	ØXXX ± .015	XXX ± .015
.XX ± .020	ØXXX ± .010	DATE	
APPROVALS			
DRAWN	SS	5/5/05	
CHECKED			
APPROVED			
SIZE	PART NO.	HDTXX-ST	REV.
X			-
REF:	SCALE:	NIS	SHEET 1 OF 1