

**D-Sub Full Metal Cover, Top Entry, Double Clamp Strain Relief**

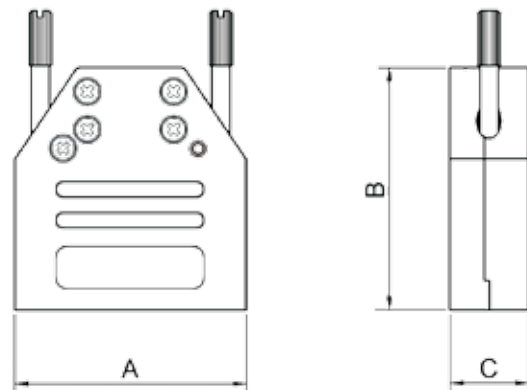
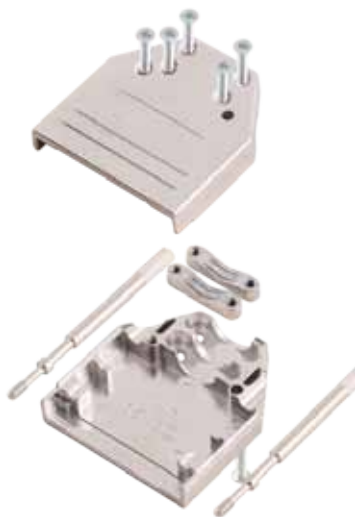
**TECHNICAL SPECIFICATIONS**

Material: Zinc, Nickel Plated  
 Operating Temperature: -40°C to +120°C  
 Cable Entry: Straight  
 Jackscrews: UNC 4-40  
 M2.5 or M3 on request  
 Cable O.D.: 9-way: Up to 8,0mm  
 15-way: Up to 11,6mm  
 25-way: Up to 11,6mm  
 37-way: Up to 11,6mm  
 50-way: Up to 14,0mm



**Features:**

- Available in sizes 9-15-25-37-50
- Excellent EMI Shielding
- Re-openable
- Double strain relief for strong and secure cable clamping
- Short Jackscrews on request



Size MHDTZI	Dim A	Dim B	Dim C
9-way	34,0	45,0	14,6
15-way	43,0	45,0	14,6
25-way	56,5	45,0	14,6
37-way	73,0	45,0	14,6
50-way	71,0	45,0	17,4

**Ordering information:**

Size:	P/N - Kitted:	Product Code:
9-way	6560-0305-01	DTZI09-K
15-way	6560-0305-02	DTZI15-K
25-way	6560-0305-03	DTZI25-K
37-way	6560-0305-04	DTZI37-K
50-way	6560-0305-05	DTZI50-K

Size:	P/N - Kitted:	Product Code:
9-way	6561-0305-01	DTZI09
15-way	6561-0305-02	DTZI15
25-way	6561-0305-03	DTZI25
37-way	6561-0305-04	DTZI37
50-way	6561-0305-05	DTZI50