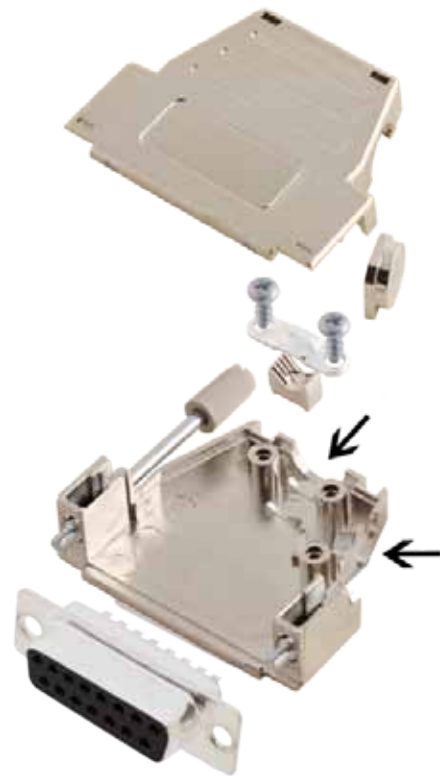




NEW

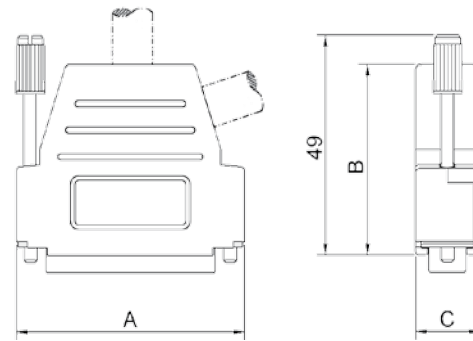


TECHNICAL SPECIFICATIONS
D-Sub Hood:

Material:	Zinc, Nickel Plated
Operating Temperature:	-45°C to + 105°C
Cable Entry:	Top Entry
Thumbscrews:	UNC 4-40 (Standard)
Cable O.D:	9-Way: Up to 9,5mm 15-Way: Up to 9,5mm 25-Way: Up to 9,5mm 37-Way: Up to 12mm

Features:

- Available in sizes 9-15-25-37
- Excellent EMI Shielding
- Re-openable
- Spring-Clip mounted Jackscrews



D-Sub-Hood

Size DSSK-P	Dim A	Dim B	Dim C
9-way	31,5	40,0	15,0
15-way	40,0	40,0	15,0
25-way	53,5	43,0	15,0

Male D-Sub Solder Cup:

Insulator:	PBT, Black, UL94 V-0
Shell:	Steel, Tin Plated
Contact pins:	Copper Alloy
Stamped & Formed Pins	Class 3, 100 inserts min.
Machined Contact Pins:	Class 1, 500 inserts min.
Contact Plating:	Selective Gold over Nickel
Operating Temperature:	-55°C to +105°C
Withstanding voltage:	1000V for 1 minute
Insulator resistance:	1000MΩ min.


Ordering information:
Class 3 Sub-D Connector Kits (100 inserts min.)

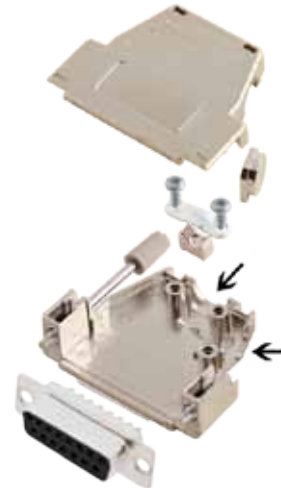
Size:	P/N - Kitted:	Product Code - MALE Conn. Kit
9-way	6355-0084-01	DSSK09-M-DBP-K
15-way	6355-0084-02	DSSK15-M-DBP-K
25-way	6355-0084-03	DSSK25-M-DBP-K

Ordering information:
Class 1 Sub-D Connector Kits (500 inserts min.)

Size:	P/N - Kitted:	Product Code - MALE Conn. Kit
9-way	6355-0084-21	DSSK09-M-DMP-K
15-way	6355-0084-22	DSSK15-M-DMP-K
25-way	6355-0084-23	DSSK25-M-DMP-K

Female D-Sub Solder Cup:

Insulator:	PBT, Black, UL94 V-0
Shell:	Steel, Tin Plated
Contact pins:	Copper Alloy
Stamped & Formed Pins	Class 3, 100 inserts min.
Machined Contact Pins:	Class 1, 500 inserts min.
Contact Plating:	Selective Gold over Nickel
Operating Temperature:	-55°C to +105°C
Withstanding voltage:	1000V for 1 minute
Insulator resistance:	1000MΩ min.


Ordering information:
Class 3 Sub-D Connector Kits (100 inserts min.)

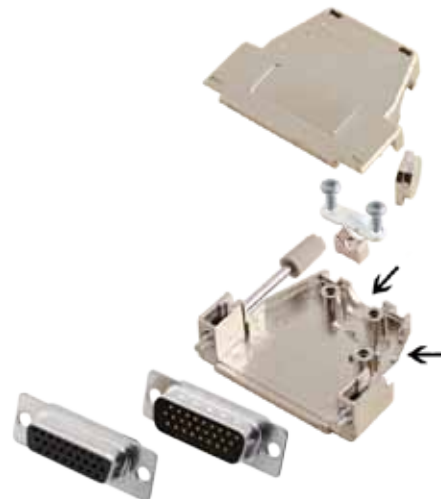
Size:	P/N - Kitted:	Product Code - FEMALE Conn. Kit
9-way	6355-0084-11	DSSK09-M-DBS-K
15-way	6355-0084-12	DSSK15-M-DBS-K
25-way	6355-0084-13	DSSK25-M-DBS-K

Ordering information:
Class 1 Sub-D Connector Kits (500 inserts min.)

Size:	P/N - Kitted:	Product Code - FEMALE Conn. Kit
9-way	6355-0084-31	DSSK09-M-DMS-K
15-way	6355-0084-32	DSSK15-M-DMS-K
25-way	6355-0084-33	DSSK25-M-DMS-K

D-Sub High Density:

Insulator:	PBT, Black, UL94 V-0
Shell:	Stamped Steel, Tin Plated
Contact pins:	Copper Alloy
Stamped & Formed pins:	100 inserts min
Contacts Plating:	Selective Gold over Nickel
Operating Temperature:	-55°C to +105°C
Withstanding voltage:	500V for 1 minute
Insulator resistance:	500MΩ min


Ordering information:
D-Sub Connector Kits (100 inserts min.)

Size:	P/N - Kitted:	Product Code - MALE Conn. Kit
9-way	6355-0085-01	DSSK09-M-HDP15-K
15-way	6355-0085-02	DSSK15-M-HDP36-K
25-way	6355-0085-03	DSSK25-M-HDP44-K

Size:	P/N - Kitted:	Product Code - FEMALE Conn. Kit
9-way	6355-0085-11	DSSK09-M-HDS15-K
15-way	6355-0085-12	DSSK15-M-HDS36-K
25-way	6355-0085-13	DSSK25-M-HDS44-K



Encitech Connectors AB
Rörkullsvägen 4
SE-302 41 HALMSTAD
Sweden

Tel: +46-35-15 13 90
Fax: +46-35-15 13 99
e-mail: connectors@encitech.com
web: www.encitech.com

www.encitech.com