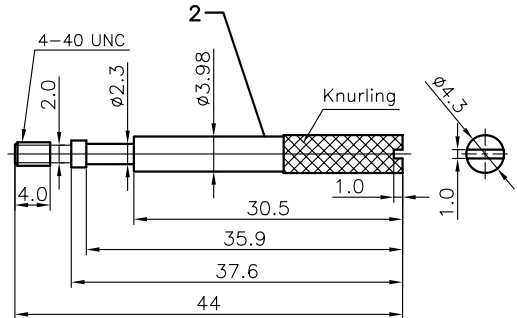
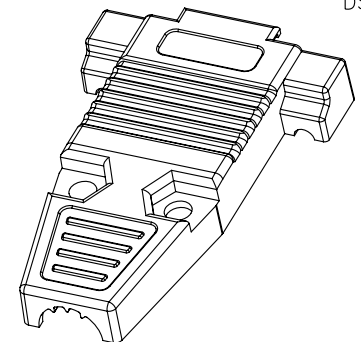
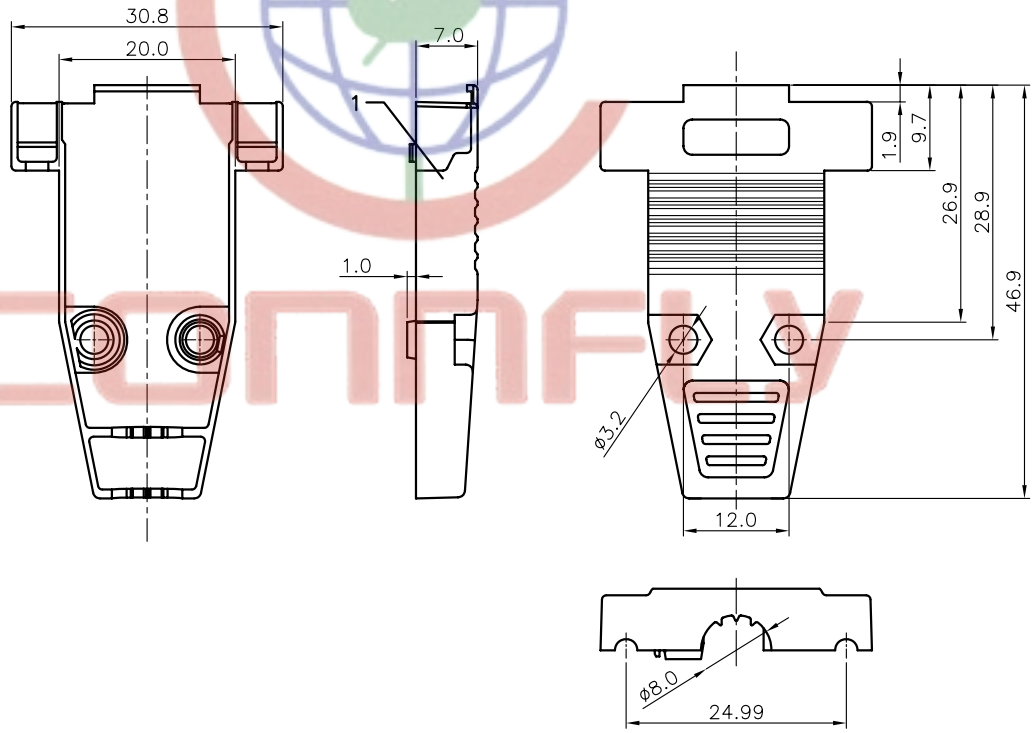


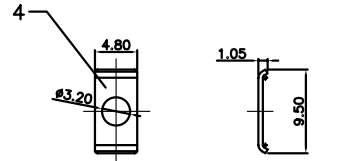
BOM LIST			
ITEM	PART NAME	Q'ty	NOTES
1	METAL HOOD	2	
2	LONG BOLT	2	
3	SCREW	2	
4	SMALL WASHER	2	
5	NUT	2	
6	SHORT BOLT	2	

REV.	DESCRIPTION	DRAWN	CHECKED	APPROVED
A	NEW RELEASE	LJH 03/02/07'	~	LJC 03/02/07'
B	整理英制短螺丝尺寸	YCH 07/18/08'	~	

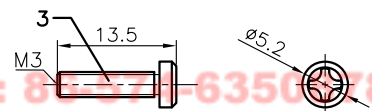
NOTES:
 1. PART NUMBER CODE:
 DS1047 - 09 X X X
 Bolt type
 L: Long
 S: Short
 Packing type
 1: Mix packing
 2: Separation packing
 Cover Material
 M: Metal(Znic alloy)
 Positions
 09: 9pin



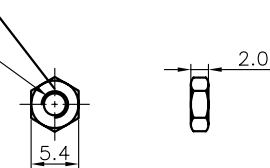
Long BOLT



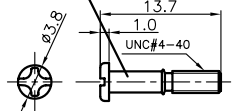
SMALL WASHER



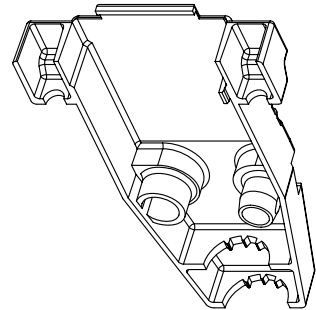
SCREW



NUT



Short BOLT



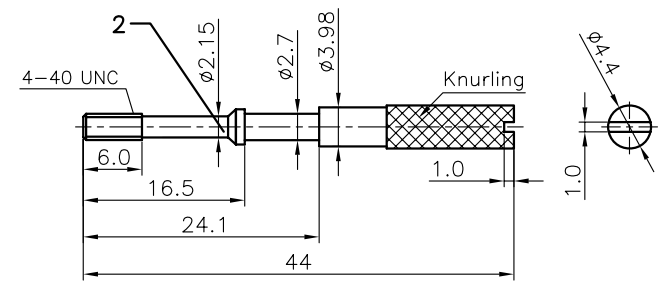
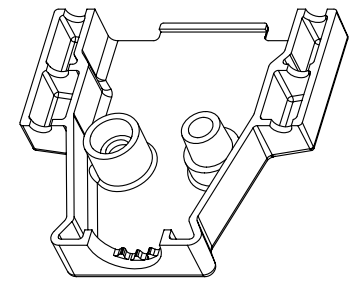
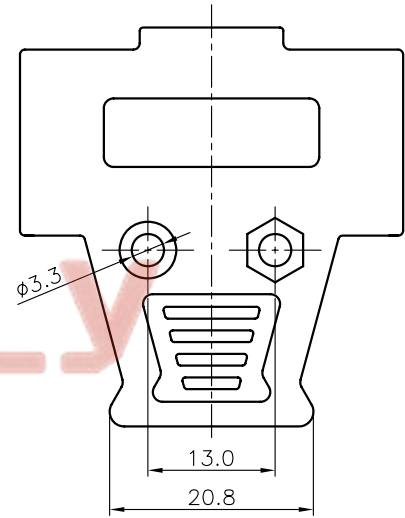
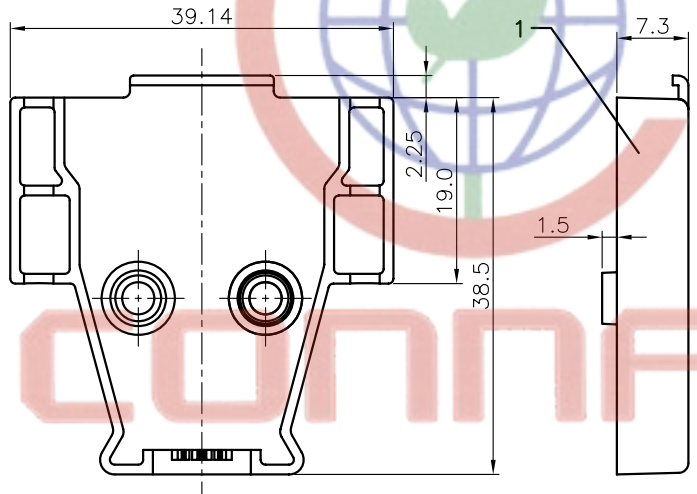
Tel: 86-574-63510817
 Fax: 86-574-63510817

GENERAL TOLERANCE		ANGLE TOLERANCE		PROJECTION		TITLE	
X.	±0.60	X.	±5°	UNITS	mm	D-SUB 9pin Metal Cover	
.X	±0.38	.X	±3°	SHEET SIZE	A4	SERIES	DS1047 SERIES
.XX	±0.25	.XX	±2°	晨翔电子有限公司 CONNFLY CONNFLY ELECTRONIC CO. LTD			
DRAWING TYPE		COSTOMER					
SCALE		1:1	SHEET	1 OF 1			
DRAWING NO.		C-DS1047-09XXX-B					

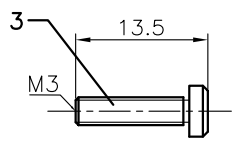
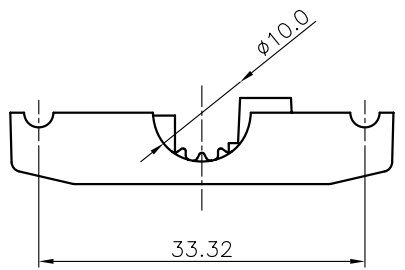
BOM LIST			
ITEM	PART NAME	Q'ty	NOTES
1	METAL HOOD	2	
2	BOLT	2	
3	SCREW	2	
4	NUT	2	

REV.	DESCRIPTION	DRAWN	CHECKED	APPROVED
A	NEW RELEASE	LJC 03/02/07'		

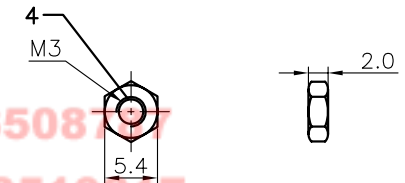
NOTES:
 1. PART NUMBER CODE:
 DS1047 - 15 X X X
 Bolt type
 L: Long
 Packing type
 1: Mix packing
 2: Separation packing
 Cover Material
 M: Metal(Znic alloy)
 Positions
 15: 15pin



BOLT



SCREW



NUT

GENERAL TOLERANCE		ANGLE TOLERANCE		PROJECTION	TITLE
X.	± 0.60	X.	$\pm 5^\circ$	UNITS	mm
.X	± 0.38	.X	$\pm 3'$	SHEET SIZE	A4
.XX	± 0.25	.XX	$\pm 2'$	SERIES	DS1047 SERIES
DRAWING TYPE	COSTOMER	D-SUB 15pin Metal Cover			
SCALE	1:1	SHEET	1 OF 1		
DRAWING NO.	C-DS1047-15XXX				

晨翔电子有限公司
 CONNFLY CONNFLY ELECTRONIC CO. LTD

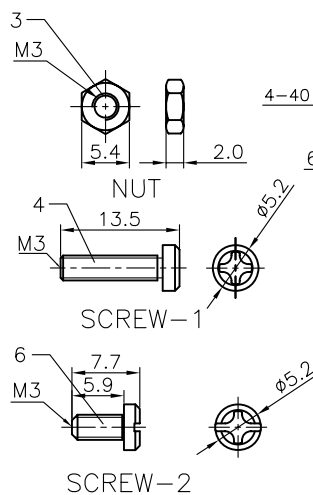
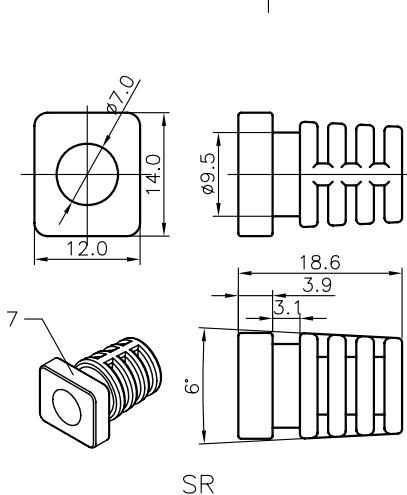
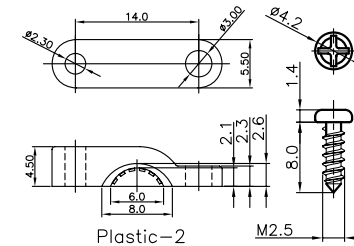
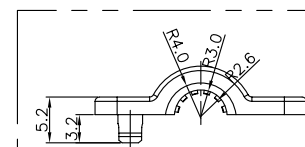
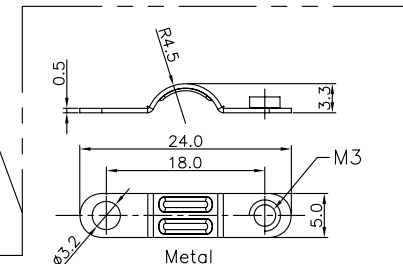
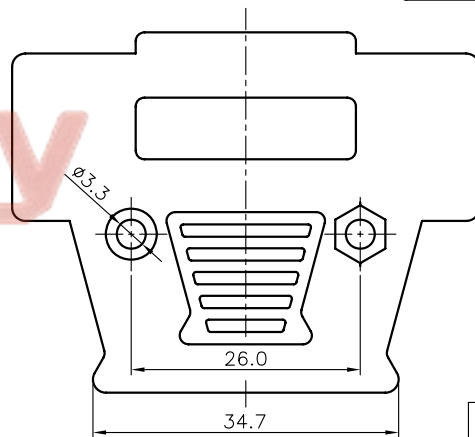
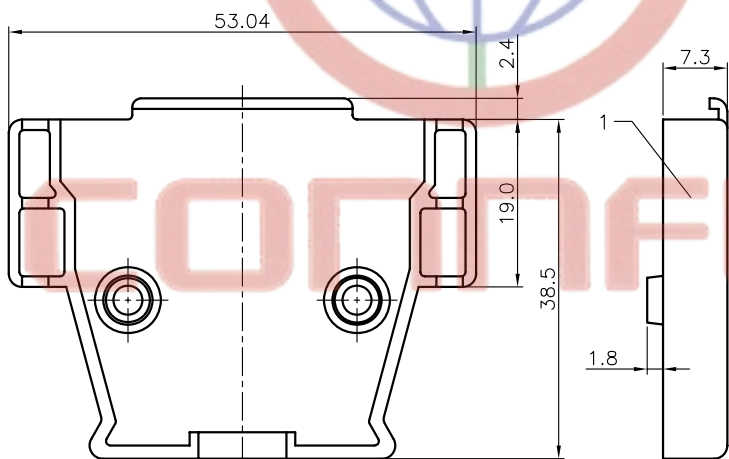
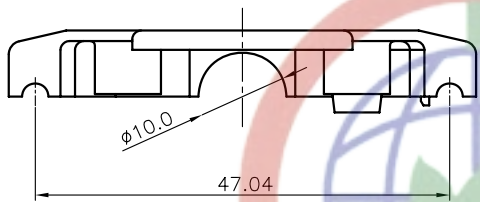
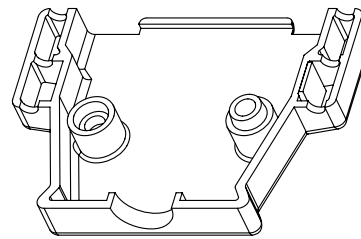
BOM LIST			
ITEM	PART NAME	Q'ty	NOTES
1	METAL HOOD	2	
2	BOLT	2	
3	NUT	2	
4	SCREW-1	2	
5.1	METAL WASHER	2	
5.2	PLASTIC-1 WASHER	2	
5.3	PLASTIC-2 WASHER	2	
6	SCREW-2	2	
7	SR	1	

REV.	DESCRIPTION	DRAWN	CHECKED	APPROVED
A	NEW RELEASE	LJC 03/02/07'	~	LJC 03/02/07'
B	整理图面	YCH 09/14/07'	~	

NOTES:
1. PART NUMBER CODE:

DS1047 - 25 X X X X

- Wash type
- 1: Metal
- 2: Plastic-1(Lock type)
- 3: Plastic-2(Screw type)
- Long type
- L: Long
- Packing type
- 1: Mix packing
- 2: Separation packing
- Cover Material
- M: Metal(Znic alloy)
- Positions
- 25: 25pin



GENERAL TOLERANCE	ANGLE TOLERANCE
X. ± 0.60	X. $\pm 5^\circ$
.X ± 0.38	.X $\pm 3^\circ$
.XX ± 0.25	.XX $\pm 2^\circ$

PROJECTION	TITLE
UNITS	mm
SHEET SIZE	A4

PROJECTION	TITLE
UNITS	mm
SHEET SIZE	A4
SERIES	DS1047 SERIES

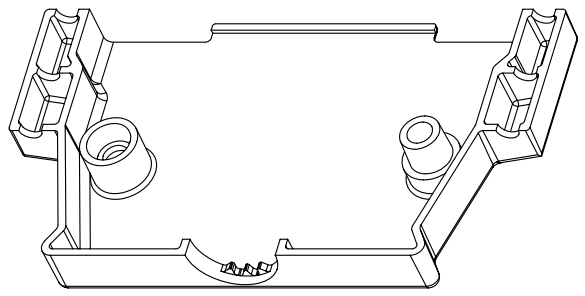
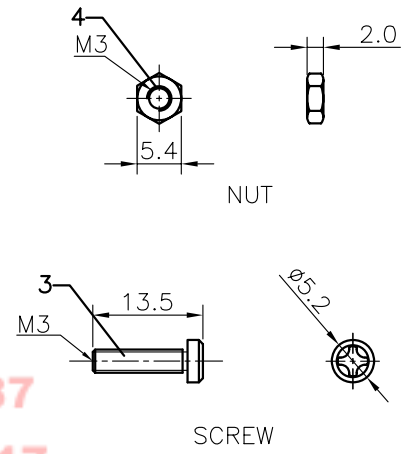
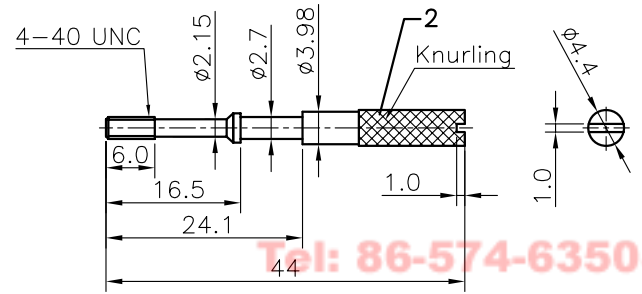
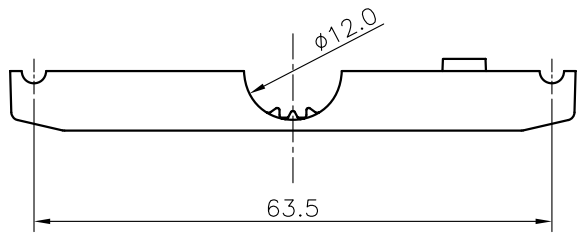
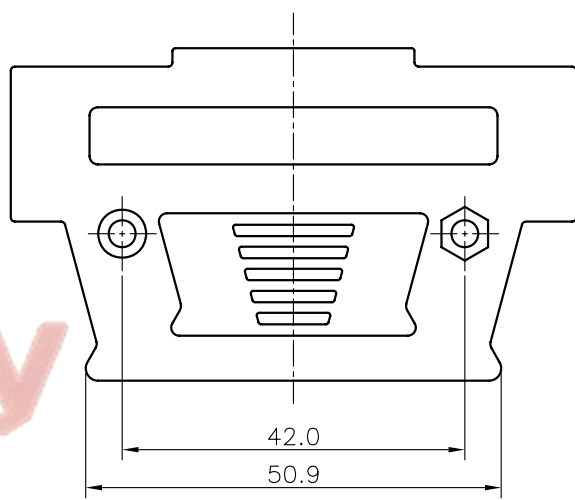
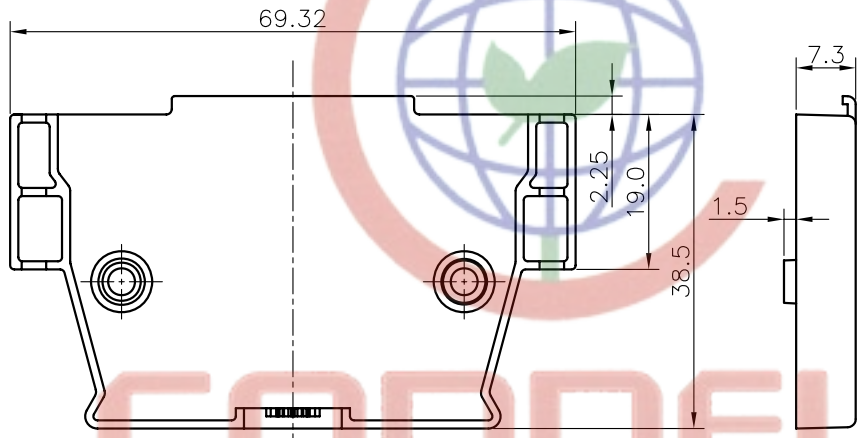
DRAWING TYPE	CUSTOMER
SCALE	1:1
DRAWING NO.	C-DS1047-25XXXX

晨翔电子有限公司
CONNFLY CONNFLY ELECTRONIC CO. LTD

REV.	DESCRIPTION	DRAWN	CHECKED	APPROVED
A	NEW RELEASE	LJC 03/02/07'		

BOM LIST			
ITEM	PART NAME	Q'ty	NOTES
1	METAL HOOD	2	
2	BOLT	2	
3	SCREW	2	
4	NUT	2	

NOTES:
 1. PART NUMBER CODE:
 DS1047 - 37 X X X
 Bolt type
 L: Long
 Packing type
 1: Mix packing
 2: Separation packing
 Cover Material
 M: Metal(Znic alloy)
 Positions
 37: 37pin



Tel: 86-574-63508787
 Fax: 86-574-63510817

GENERAL TOLERANCE	ANGLE TOLERANCE	PROJECTION	TITLE
X. ±0.60	X. ±5°	UNITS	mm
.X ±0.38	.X ±3°	SHEET SIZE	A4
.XX ±0.25	.XX ±2°	SERIES	DS1047 SERIES
DRAWING TYPE	CUSTOMER	D-SUB 37pin Metal Cover	
SCALE	1:1	SHEET 1 OF 1	
DRAWING NO.	C-DS1047-37XXX	晨翔电子有限公司 CONNFLY CONNFLY ELECTRONIC CO. LTD	