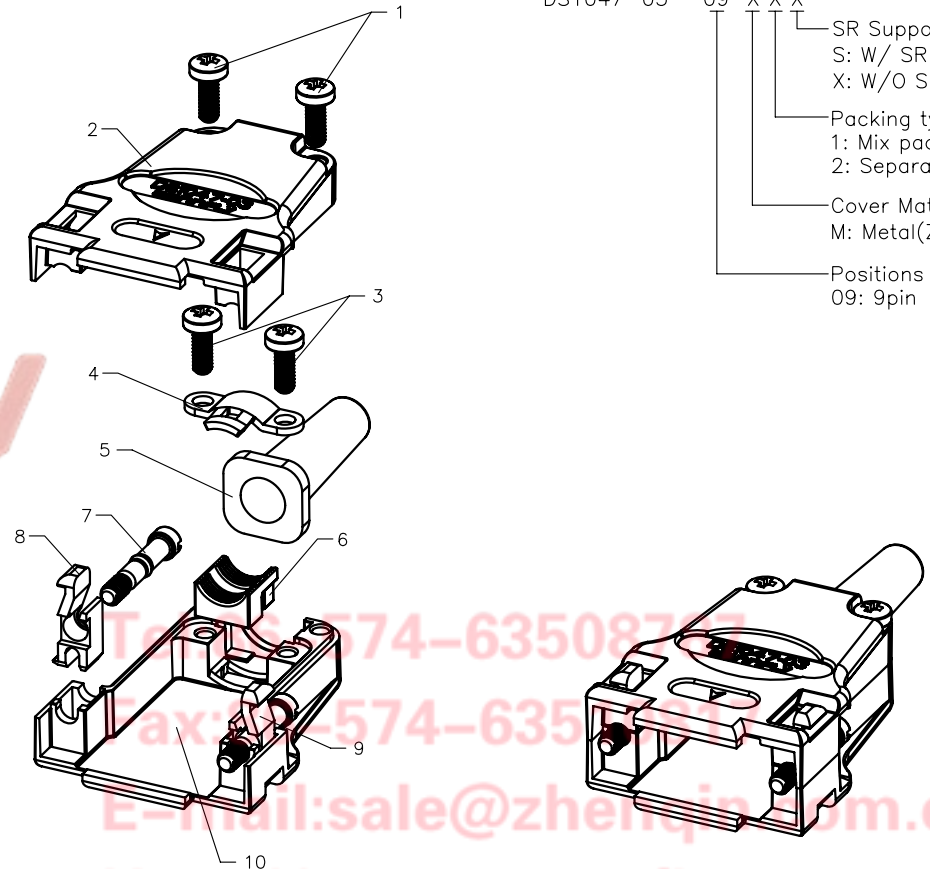
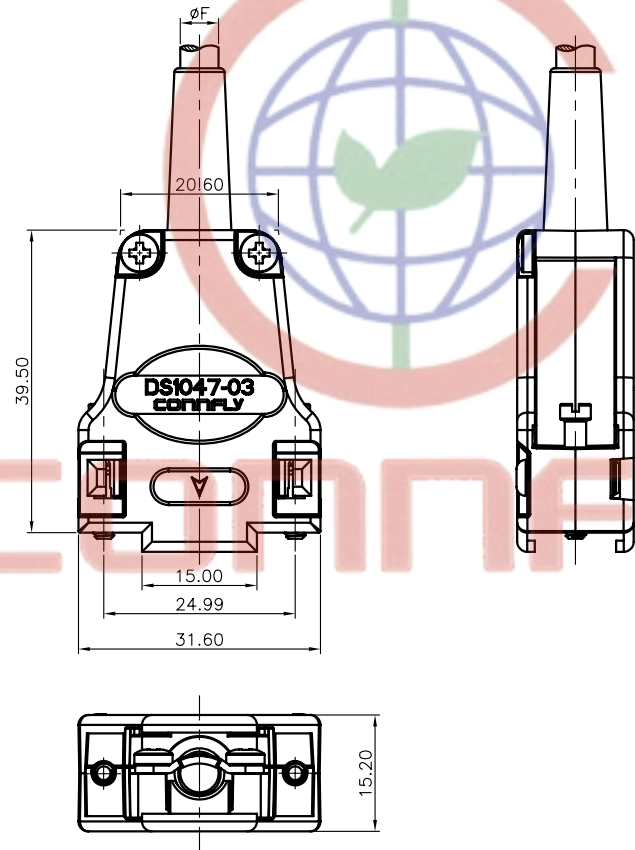


REV.	DESCRIPTION	DRAWN	CHECKED	APPROVED
A	NEW RELEASE	YCH 03/22/11'	~	

	φF
W/ SR	φ6.5
W/O SR	φ3.0~φ9.5



NOTES:

1. PART NUMBER CODE:

DS1047-03 - 09 X X X

SR Support
S: W/ SR
X: W/O SR

Packing type
1: Mix packing
2: Separation packing

Cover Material
M: Metal(Znic alloy)

Positions
09: 9pin

BOM LIST			
ITEM	PART NAME	Q'ty	NOTES
1	SCREW M2.5*8	2	M2.5
2	METAL HOOD-1	1	Znic alloy
3	SCREW M2.5*6	2	M2.5
4	WASHER	1	
5	SR	1	
6	STRAIN RELIEF	1	
7	BOLT	2	UNC 4-40
8	LATCH-1	1	
9	LATCH-2	1	
10	METAL HOOD-2	1	Znic alloy

GENERAL TOLERANCE	ANGLE TOLERANCE	PROJECTION		TITLE	D-SUB 9pin Metal Hoods Straight Cable Outlet Type
X. ±0.60	X. ±5°	UNITS	mm	SHEET SIZE	A4
.X ±0.38	.X ±3°	DRAWING TYPE		SERIES	DS1047-03 SERIES
.XX ±0.25	.XX ±2°	CUSTOMER		晨翔电子有限公司 CONNFLY CONNFLY ELECTRONIC CO. LTD	
SCALE	1:1	SHEET	1 OF 1		
DRAWING NO.	C-DS1047-03-09XXX				

		φF
TYPE A	W/ SR	φ6.5
	W/O SR	φ3.0~φ9.5
TYPE B	W/ SR	φ9.0
	W/O SR	φ8.5~φ12.5

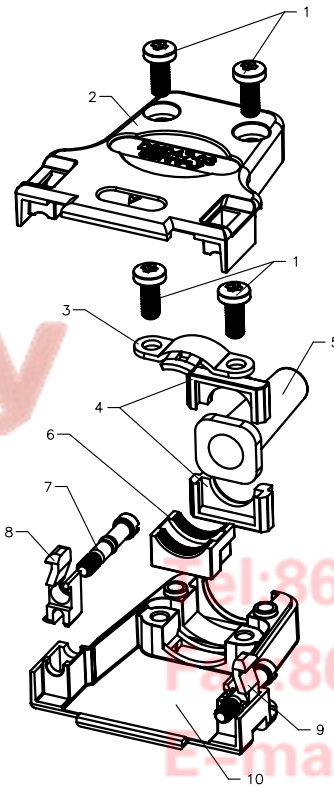
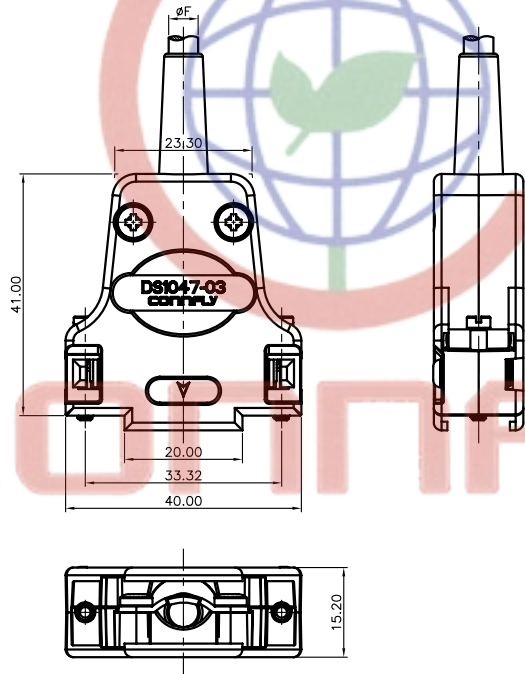
REV.	DESCRIPTION	DRAWN	CHECKED	APPROVED
A	NEW RELEASE	YCH 03/22/11'	~	

NOTES:

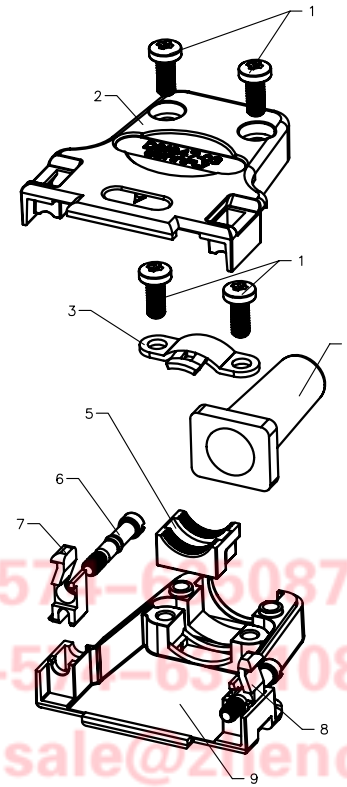
1. PART NUMBER CODE:

DS1047-03 - 15 X X X X

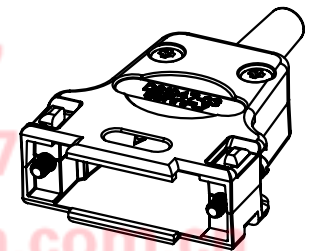
- SR Support
- S: W/ SR
- X: W/O SR
- Type Support
- A: Type A
- B: Type B
- Packing type
- 1: Mix packing
- 2: Separation packing
- Cover Material
- M: Metal(Znic alloy)
- Positions
- 15: 15pin



TYPE A



TYPE B



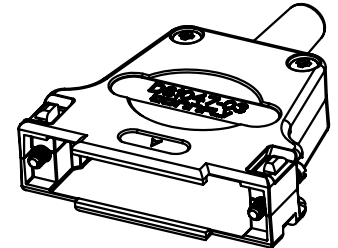
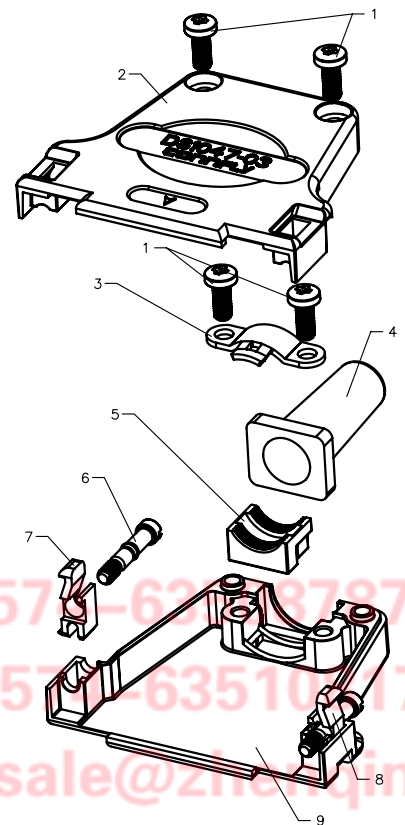
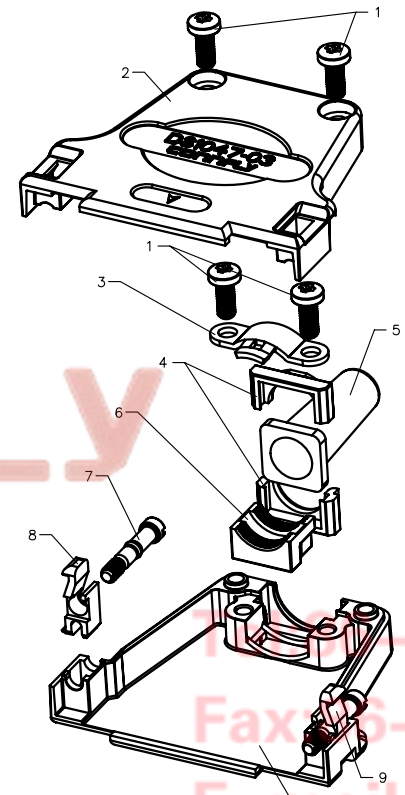
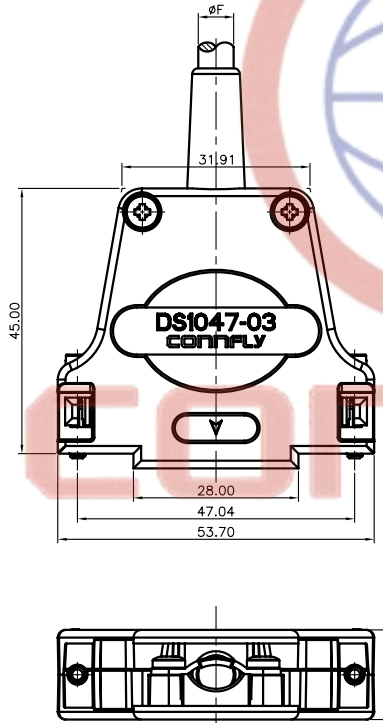
TYPE A BOM LIST			
ITEM	PART NAME	Q'ty	NOTES
1	SCREW	4	M3
2	METAL HOOD-1	1	Znic alloy
3	WASHER	1	
4	CABLE REDUCTION PLATE	2	
5	SR	1	
6	STRAIN RELIEF	1	
7	BOLT	2	UNC 4-40
8	LATCH-1	1	
9	LATCH-2	1	
10	METAL HOOD-2	1	Znic alloy

TYPE B BOM LIST			
ITEM	PART NAME	Q'ty	NOTES
1	SCREW	4	M3
2	METAL HOOD-1	1	Znic alloy
3	WASHER	1	
4	SR	1	
5	STRAIN RELIEF	1	
6	BOLT	2	UNC 4-40
7	LATCH-1	1	
8	LATCH-2	1	
9	METAL HOOD-2	1	Znic alloy

GENERAL TOLERANCE		ANGLE TOLERANCE		PROJECTION	TITLE	
X.	±0.60	X.	±5°	mm	D-SUB 15pin Metal Hoods	
.X	±0.38	.X	±3°	A4	Straight Cable Outlet Type	
.XX	±0.25	.XX	±2°	SERIES	DS1047-03 SERIES	
DRAWING TYPE	CUSTOMER		晨翔电子有限公司 CONNFLY CONNFLY ELECTRONIC CO. LTD			
SCALE	1:1	SHEET				1 OF 1
DRAWING NO.	C-DS1047-03-15XXXX					

REV.	DESCRIPTION	DRAWN	CHECKED	APPROVED
A	NEW RELEASE	YCH 03/22/11'	~	

	øF	
TYPE A	W/ SR	ø8
	W/O SR	ø3.0~ø8.5
TYPE B	W/ SR	ø9.0
	W/O SR	ø8.5~ø12.5




NOTES:
 1. PART NUMBER CODE:
 DS1047-03 - 25 X X X X

- SR Support
- S: W/ SR
- X: W/O SR
- Type Support
- A: Type A
- B: Type B
- Packing type
- 1: Mix packing
- 2: Separation packing
- Cover Material
- M: Metal(Zinc alloy)
- Positions
- 25: 25pin

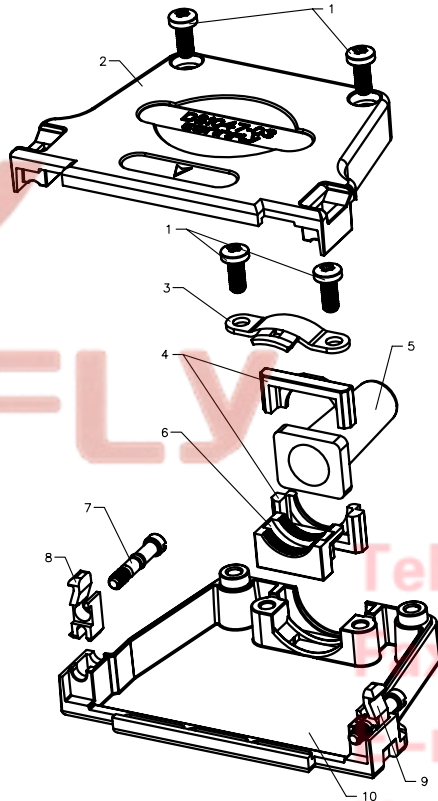
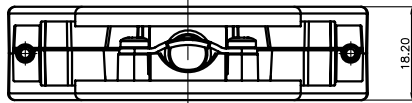
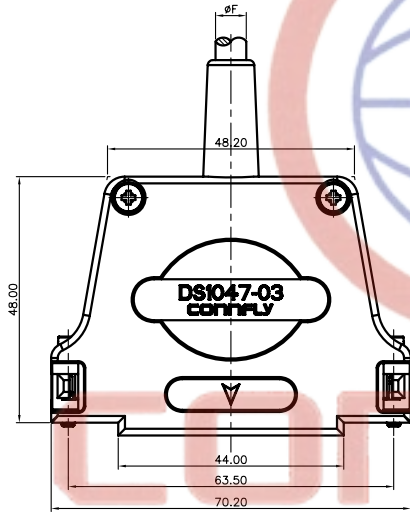
ITEM	PART NAME	Q'ty	NOTES
1	SCREW	4	M3
2	METAL HOOD-1	1	Znic alloy
3	WASHER	1	
4	CABLE REDUCTION PLATE	2	
5	SR	1	
6	STRAIN RELIEF	1	
7	BOLT	2	UNC 4-40
8	LATCH-1	1	
9	LATCH-2	1	
10	METAL HOOD-2	1	Znic alloy

ITEM	PART NAME	Q'ty	NOTES
1	SCREW	4	M3
2	METAL HOOD-1	1	Znic alloy
3	WASHER	1	
4	SR	1	
5	STRAIN RELIEF	1	
6	BOLT	2	UNC 4-40
7	LATCH-1	1	
8	LATCH-2	1	
9	METAL HOOD-2	1	Znic alloy

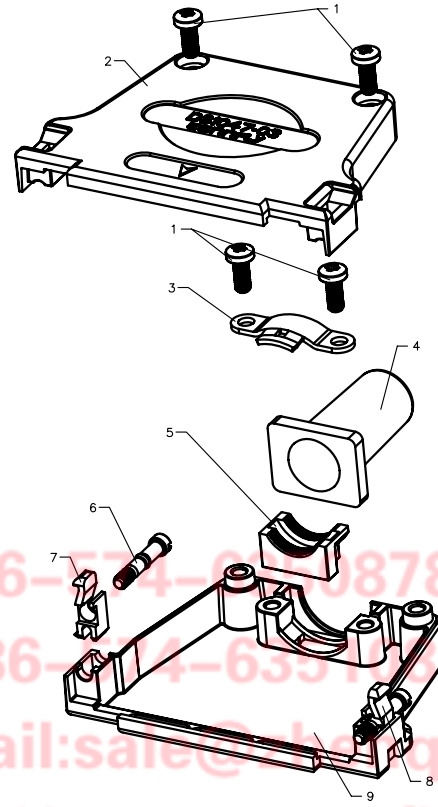
GENERAL TOLERANCE	ANGLE TOLERANCE	PROJECTION	TITLE
X. ±0.60	X. ±5°	UNITS	D-SUB 25pin Metal Hoods
.X ±0.38	.X ±3°	SHEET SIZE	Straight Cable Outlet Type
.XX ±0.25	.XX ±2°	SERIES	DS1047-03 SERIES
DRAWING TYPE	COSTOMER	 晨翔电子有限公司 CONNFLY CONNFLY ELECTRONIC CO. LTD	
SCALE	1:1 SHEET 1 OF 1		
DRAWING NO.	C-DS1047-03-25XXXX		

REV.	DESCRIPTION	DRAWN	CHECKED	APPROVED
A	NEW RELEASE	YCH 03/22/11'	~	

	φF	
TYPE A	W/ SR	φ9
	W/O SR	φ3.0~φ12.0
TYPE B	W/ SR	φ11.5
	W/O SR	φ12.0~φ15.0



TYPE A



TYPE B

NOTES:
 1. PART NUMBER CODE:
 DS1047-03 - 37 X X X X
 SR Support
 S: W/ SR
 X: W/O SR
 Type Support
 A: Type A
 B: Type B
 Packing type
 1: Mix packing
 2: Separation packing
 Cover Material
 M: Metal(Zinc alloy)
 Positions
 37: 37pin


TYPE A BOM LIST			
ITEM	PART NAME	Q'ty	NOTES
1	SCREW	4	M3
2	METAL HOOD-1	1	Znic alloy
3	WASHER	1	
4	CABLE REDUCTION PLATE	2	
5	SR	1	
6	STRAIN RELIEF	1	
7	BOLT	2	UNC 4-40
8	LATCH-1	1	
9	LATCH-2	1	
10	METAL HOOD-2	1	Znic alloy

TYPE B BOM LIST			
ITEM	PART NAME	Q'ty	NOTES
1	SCREW	4	M3
2	METAL HOOD-1	1	Znic alloy
3	WASHER	1	
4	SR	1	
5	STRAIN RELIEF	1	
6	BOLT	2	UNC 4-40
7	LATCH-1	1	
8	LATCH-2	1	
9	METAL HOOD-2	1	Znic alloy

GENERAL TOLERANCE	ANGLE TOLERANCE
X. ±0.60	X. ±5°
.X ±0.38	.X ±3°
.XX ±0.25	.XX ±2°

PROJECTION	TITLE
UNITS mm	D-SUB 37pin Metal Hoods Straight Cable Outlet Type
SHEET SIZE A4	SERIES DS1047-03 SERIES

DRAWING TYPE	COSTOMER
SCALE 1:1	SHEET 1 OF 1
DRAWING NO. C-DS1047-03-37XXXX	


晨翔电子有限公司
CONNFLY CONNPLY ELECTRONIC CO. LTD