

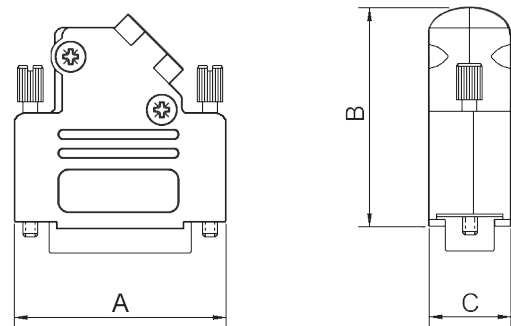
TECHNICAL SPECIFICATIONS

D-Sub Hood:

Material: Zinc, Nickel Plated
 Operating Temperature: -40°C to +120°C
 Cable Entry: 45° Side Entry
 Thumbscrews: UNC 4-40 (Standard)
 Cable O.D: Up to 11,5mm (Size 9-37)
 Up to 17mm (Size 50)

D-Sub High Density:

Insulator: PBT, Black, UL94 V-0
 Shell: Stamped Steel, Tin Plated
 Contact pins: Copper Alloy
 Stamped & Formed pins: 100 inserts min
 Contacts Plating: Selective Gold over Nickel
 Operating Temperature: -55°C to +105°C
 Withstanding voltage: 500V for 1 minute
 Insulator resistance: 500MΩ min



D-Sub-Hood

Features:

- Available in sizes 9-15-25-37
- Excellent EMI Shielding
- Re-openable
- Strain relief inserts ensure a secure termination

Size D45ZK	Dim A	Dim B	Dim C
9-way	31,0	36,3	14,5
15-way	39,5	40,3	14,5
25-way	53,2	40,3	14,5
37-way	69,7	40,3	14,5
50-way			

Ordering information:

Class 3 Sub-D Connector Kits (100 inserts min.)

Size:	P/N - Kitted:	Product Code - MALE Conn. Kit
HD 15	6355-0013-01	D45ZK09-HDP15-K
HD 26	6355-0013-02	D45ZK15-HDP26-K
HD 44	6355-0013-03	D45ZK25-HDP44-K
HD 62	6355-0013-04	D45ZK37-HDP62-K
HD 78	6355-0013-05	D45ZK50-HDP78-K

Size:	P/N - Kitted:	Product Code - MALE Conn. Kit
HD 15	6355-0013-11	D45ZK09-HDS15-K
HD 26	6355-0013-12	D45ZK15-HDS26-K
HD 44	6355-0013-13	D45ZK25-HDS44-K
HD 62	6355-0013-14	D45ZK37-HDS62-K
HD 78	6355-0013-14	D45ZK50-HDS78-K