

D-Sub Metalized cover, Side, with Rubber Grommets

TECHNICAL SPECIFICATIONS

Material: UL Recognised Plastic Material
 Plating: Nickel over Copper
 Operating Temperature: -40°C to +120°C
 Cable Entry: Side Entry
 Thumbscrews: UNC 4-40
 Cable O.D.:
 Size 9: Up to 8,1mm
 Size 15: Up to 8,1mm
 Size 25: Up to 11,4mm
 Size 37: Up to 16,5mm

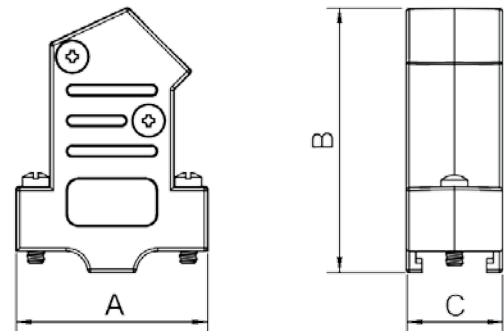


Features:

- Available in sizes 9-15-25-37
- Re-openable
- Strain Relief / Compression Insert manufactured in Thermoplastic compound.

Compression Inserts - Inner Diameters:

Size	A	B	C	D	E	F
9-15	8,10	8,00	7,25	6,50	5,30	-
25	11,40	10,40	9,40	7,60	5,80	-
37	16,50	15,75	14,50	12,70	10,80	8,90



Size D45NT-M	Dim A	Dim B	Dim C
9-way	31,3	40,0	16,3
15-way	39,1	43,5	16,3
25-way	53,1	47,7	16,3
37-way	69,3	53,9	16,3

Ordering information:

Size:	P/N - Kitted:	Product Code:
9-way	1060-0106-11	D45NT09-M-K
15-way	1060-0106-12	D45NT15-M-K
25-way	1060-0106-13	D45NT25-M-K
37-way	1060-0106-14	D45NT37-M-K

Size:	P/N - BULK:	Product Code:
9-way	1061-0106-11	D45NT09-M
15-way	1061-0106-12	D45NT15-M
25-way	1061-0106-13	D45NT25-M
37-way	1061-0106-14	D45NT37-M