

D-Sub Full Metal cover, 45° Side Entry, Slide Lock Version

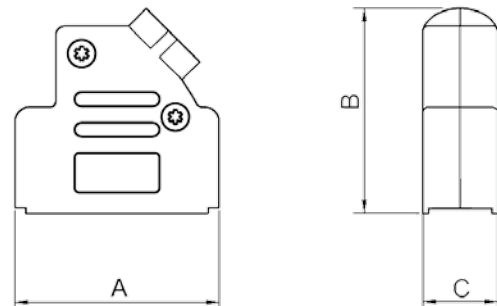
TECHNICAL SPECIFICATIONS

Material: Zinc, Nickel Plated  
 Operating Temperature: -40°C to +120°C  
 Cable Entry: Side Entry  
 Thumbscrews: UNC 4-40 (Standard)  
 M2,5 or M3 on request  
 Cable O.D: Up to 11,5mm



Features:

- Full Metal Slide-Lock System Hood
- Available in sizes 9-15-25-37
- Excellent EMI Shielding
- Re-openable
- Torx assembly screws



Size MHDVSL	Dim A	Dim B	Dim C
9-way	31,0	36,3	14,5
15-way	39,5	40,3	14,5
25-way	53,2	40,3	14,5
37-way	69,7	40,3	14,5

Ordering information:

Size:	P/N - Kitted:	Product Code:
9-way	6560-0206-31	DVSL09-K
15-way	6560-0206-32	DVSL15-K
25-way	6560-0206-33	DVSL25-K
37-way	6560-0206-34	DVSL37-K

Size:	P/N - BULK:	Product Code:
9-way	6561-0206-31	DVSL09
15-way	6561-0206-32	DVSL15
25-way	6561-0206-33	DVSL25
37-way	6561-0206-34	DVSL37