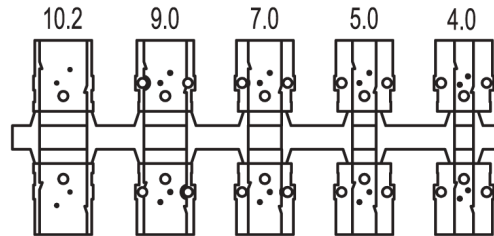
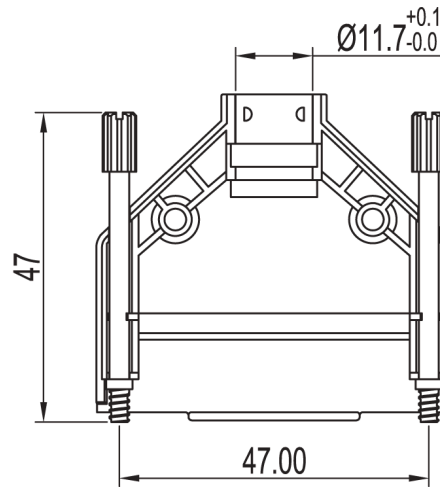
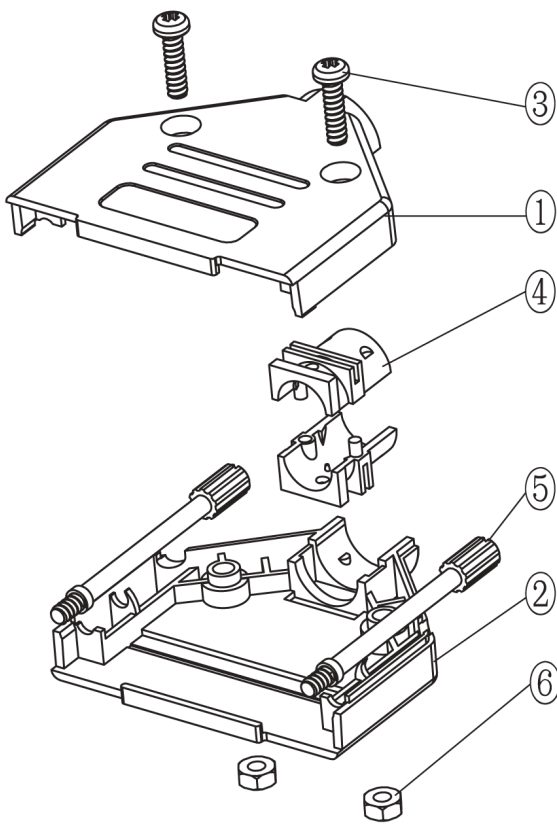
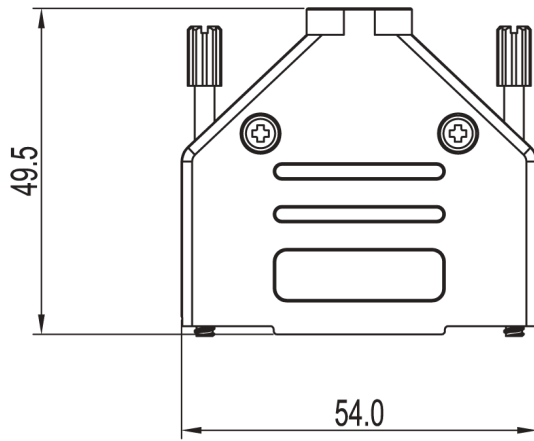


|     |                         |      |      |    |                         |      |      |
|-----|-------------------------|------|------|----|-------------------------|------|------|
| No. | Changes and/or Note No. | Date | Intr | No | Changes and/or Note No. | Date | Intr |
|-----|-------------------------|------|------|----|-------------------------|------|------|



Grommet Set

| Part Number: | Description: | Pack: | Item | QTY | Part description      |
|--------------|--------------|-------|------|-----|-----------------------|
| 6560-0145-03 | DTPK-M-25-K  | Kit   | 1    | 1   | DTPK25-Upper cover    |
|              |              |       | 2    | 1   | DTPK25-Lower cover    |
| 6561-0145-03 | DTPK-M-25    | Bulk  | 3    | 2   | M3X11.5 Screw         |
|              |              |       | 4    | 1   | D45ZK-D2 Grommet Set  |
|              |              |       | 5    | 2   | UNC 4-40X47 Jackscrew |
|              |              |       | 6    | 2   | M3 Nut                |

|                     |               |        |                             |  |
|---------------------|---------------|--------|-----------------------------|--|
| DATE:<br>2011-04-10 | DRAWN:<br>MRR | SCALE: | MATERIAL TYPE:<br>Metalized | GENERAL TOLERANCES<br>UNLESS OTHERWISE STATED<br>LINEAR 0 ±0.20<br>0.0 ±0.15<br>0.00 ±0.10<br>ANGULAR ±0°30'<br>ALL DIMENSIONS IN mm<br>THIRD ANGLE PROJECTION |
|                     | APPROVED:     |        | REPLACES:                   |  |

|  |                        |  |             |           |
|--|------------------------|--|-------------|-----------|
|  | <h1>DTPK-M-SERIES</h1> |  | DRAWING No: | 6688-9571 |
|  |                        |  |             |           |