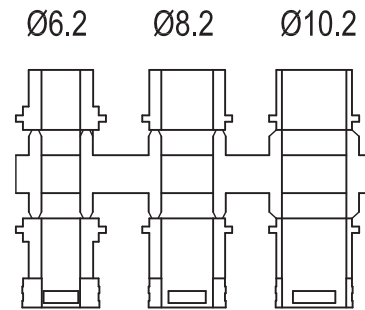
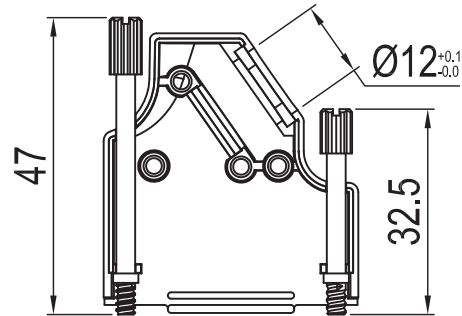
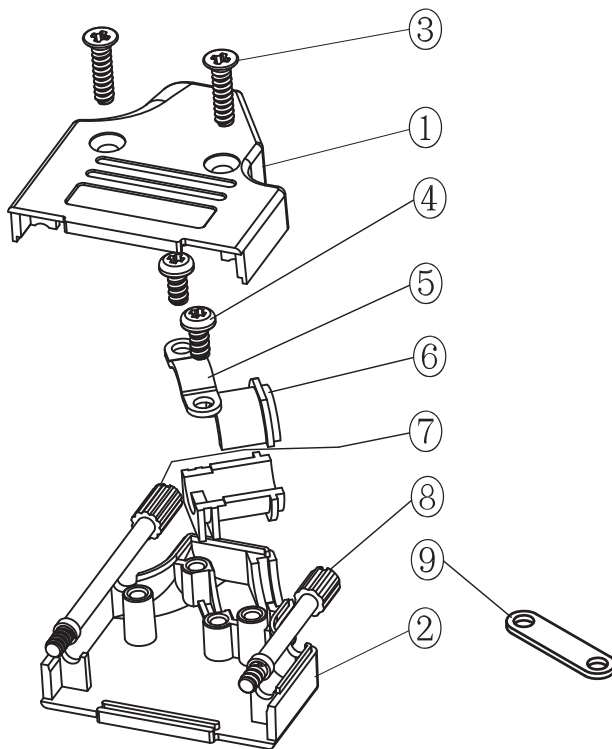
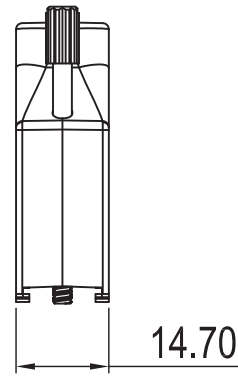
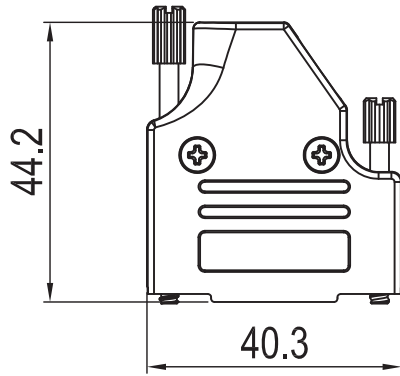


No.	Changes and/or Note No.	Date	Intr	No	Changes and/or Note No.	Date	Intr



Grommet Set

Part Number:	Description:	Pack:	Item	QTY	Part description
			1	1	MHDM35-15-Upper cover
6560-0139-12	MHDM35-15-K	Kit	2	1	MHDM35-15-Lower cover
			3	2	M3X12 Countersunk screw
6561-0139-12	MHDM35-15	Bulk	4	1	DM-D1 Grommet set
			5	2	M3X6 Screw
			6	1	DM-Clamp-R
			7	1	UNC 4-40X47 Jackscrew
			8	1	UNC 4-40X32.5 Jackscrew
			9	1	DM-Clamp-F
DATE: 2011-08-18	DRAWN: MRR	SCALE:	MATERIAL TYPE:		GENERAL TOLERANCES UNLESS OTHERWISE STATED LINEAR 0 ±0.20 0.0 ±0.15 0.00 ±0.10 ANGULAR ±0°30' ALL DIMENSIONS IN mm THIRD ANGLE PROJECTION
	APPROVED:		REPLACES:		
		MHDM35 SERIES			