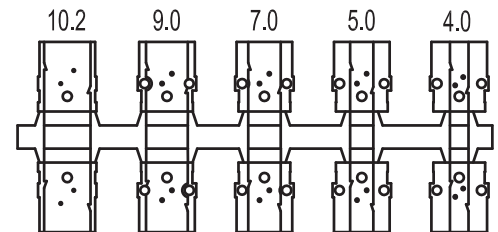
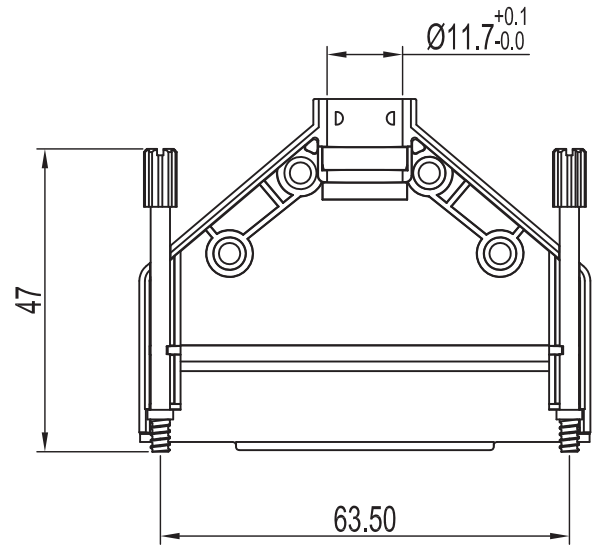
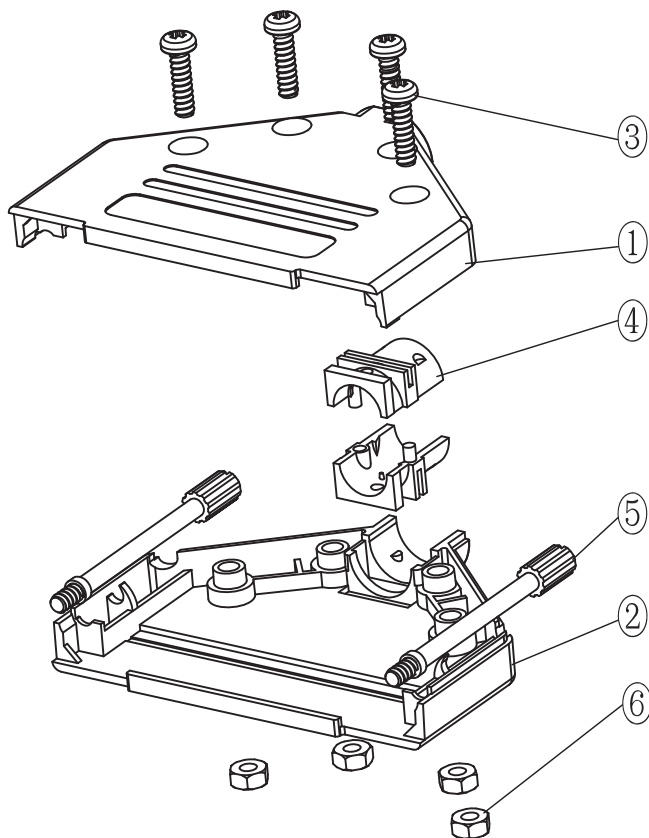
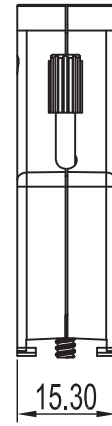
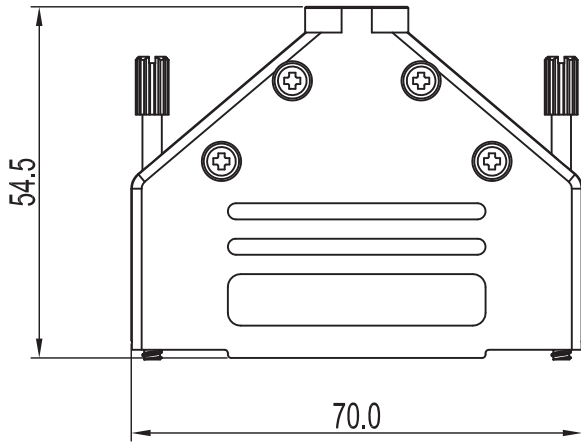


No.	Changes and/or Note No.	Date	Intr	No	Changes and/or Note No.	Date	Intr



Grommet Set

Part Number:	Description:	Pack:	Item	QTY	Part description
6560-0108-04	DTPK37-P-K	Kit	1	1	DTPK37-Upper cover
			2	1	DTPK37-Lower cover
6561-0108-04	DTPK37-P	Bulk	3	4	M3X11.5 Screw
			4	1	D45ZK-D2 Grommet set
			5	2	UNC 4-40X47 Jackscrew
			6	4	M3 Nut

DATE: 2011-04-10	DRAWN: MRR	SCALE:	MATERIAL TYPE:	GENERAL TOLERANCES UNLESS OTHERWISE STATED LINEAR 0 ±0.20 0.0 ±0.15 0.00 ±0.10 ANGULAR ±0°30' ALL DIMENSIONS IN mm THIRD ANGLE PROJECTION
	APPROVED:		REPLACES:	

	<h1>DTPK-P-SERIES</h1>		DRAWING No:	6688-9584