

TECHNICAL SPECIFICATIONS

D-Sub Hood:

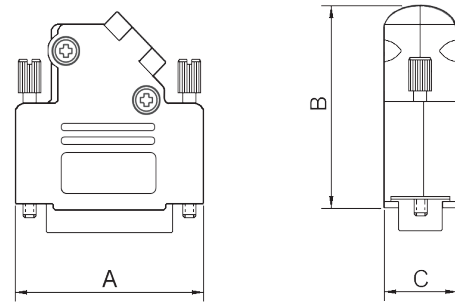
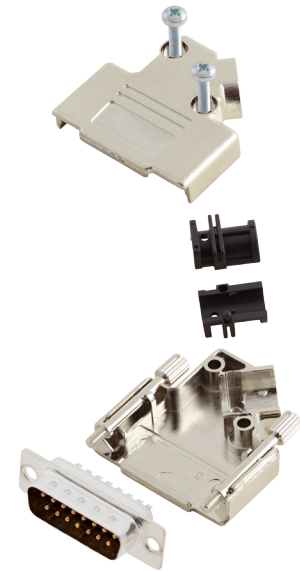
Material: UL 94 V-0 Plastic Material
 Plating: Nickel over Copper
 Operating Temperature: -55°C to +110°C
 Cable Entry: Side Entry
 Thumbscrews: UNC 4-40 (Standard)
 Cable O.D: Up to 11,5mm

Male D-Sub Solder Cup:

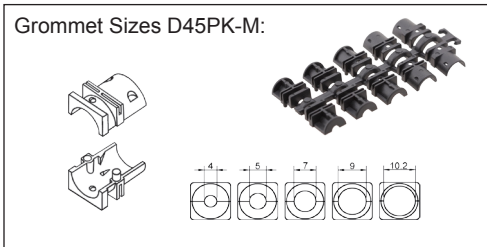
Insulator: PBT, Black, UL94 V-0
 Shell: Steel, Tin Plated
 Contact pins: Copper Alloy
 Stamped & Formed Pins: Class 3, 100 inserts min.
 Machined Contact Pins: Class 1, 500 inserts min.
 Contact Plating: Selective Gold over Nickel
 Operating Temperature: -55°C to +105°C
 Withstanding voltage: 1000V for 1 minute
 Insulator resistance: 1000MΩ min.

Features:

- Available in sizes 9-15-25-37
- Suitable for any common Sub-D Connector
- Strain relief inserts ensure a secure termination
- Re-openable
- Recyclable



D-Sub-Hood



Size D45PK-M	Dim A	Dim B	Dim C
9-way	31,0	36,3	15,0
15-way	39,5	40,3	15,0
25-way	53,2	40,3	15,0
37-way	69,7	40,3	15,0

Ordering information:

Class 3 D-Sub Connector Kits (100 inserts min.)

Size:	P/N - Kitted:	Product Code - MALE Conn. Kit
9-way	6355-0009-01	D45PK-M-09-DBP-K
15-way	6355-0009-02	D45PK-M-15-DBP-K
25-way	6355-0009-03	D45PK-M-25-DBP-K
37-way	6355-0009-04	D45PK-M-37-DBP-K

Ordering information:

Class 1 D-Sub Connector Kits (500 inserts min.)

Size:	P/N - Kitted:	Product Code - MALE Conn. Kit
9-way	6355-0010-01	D45PK-M-09-DMP-K
15-way	6355-0010-02	D45PK-M-15-DMP-K
25-way	6355-0010-03	D45PK-M-25-DMP-K
37-way	6355-0010-04	D45PK-M-37-DMP-K

TECHNICAL SPECIFICATIONS

D-Sub Hood:

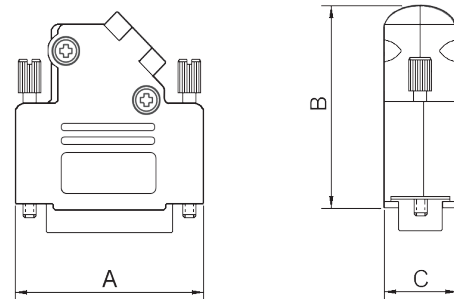
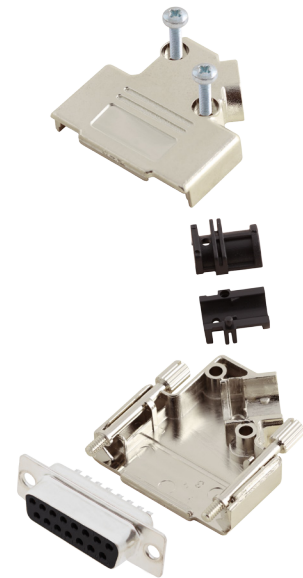
Material: UL 94 V-0 Plastic Material
 Plating: Nickel over Copper
 Operating Temperature: -55°C to +110°C
 Cable Entry: Side Entry
 Thumbscrews: UNC 4-40 (Standard)
 Cable O.D: Up to 11,5mm

Female D-Sub Solder Cup:

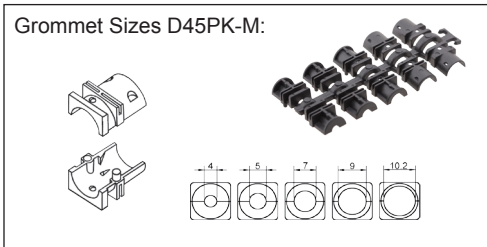
Insulator: PBT, Black, UL94 V-0
 Shell: Steel, Tin Plated
 Contact pins: Copper Alloy
 Stamped & Formed Pins: Class 3, 100 inserts min.
 Machined Contact Pins: Class 1, 500 inserts min.
 Contact Plating: Selective Gold over Nickel
 Operating Temperature: -55°C to +105°C
 Withstanding voltage: 1000V for 1 minute
 Insulator resistance: 1000MΩ min.

Features:

- Available in sizes 9-15-25-37
- Suitable for any common Sub-D Connector
- Strain relief inserts ensure a secure termination
- Re-openable
- Recyclable



D-Sub-Hood



Size D45PK-M	Dim A	Dim B	Dim C
9-way	31,0	36,3	15,0
15-way	39,5	40,3	15,0
25-way	53,2	40,3	15,0
37-way	69,7	40,3	15,0

Ordering information:

Class 3 D-Sub Connector Kits (100 inserts min.)

Size:	P/N - Kitted:	Product Code - FEMALE Conn. Kit
9-way	6355-0009-11	D45PK-M-09-DBS-K
15-way	6355-0009-12	D45PK-M-15-DBS-K
25-way	6355-0009-13	D45PK-M-25-DBS-K
37-way	6355-0009-14	D45PK-M-37-DBS-K

Ordering information:

Class 1 D-Sub Connector Kits (500 inserts min.)

Size:	P/N - Kitted:	Product Code - FEMALE Conn. Kit
9-way	6355-0010-11	D45PK-M-09-DMS-K
15-way	6355-0010-12	D45PK-M-15-DMS-K
25-way	6355-0010-13	D45PK-M-25-DMS-K
37-way	6355-0010-14	D45PK-M-37-DMS-K