

5

4

3

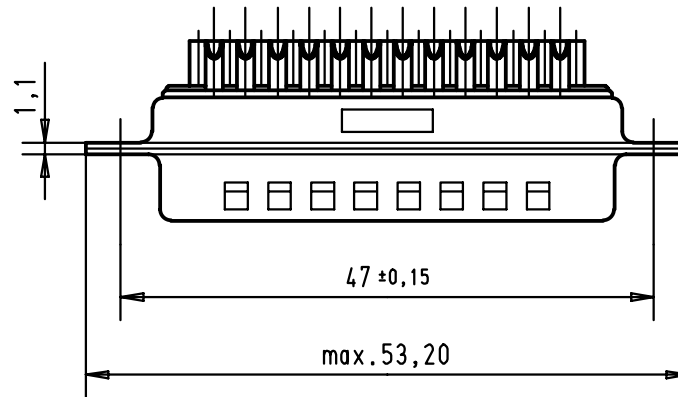
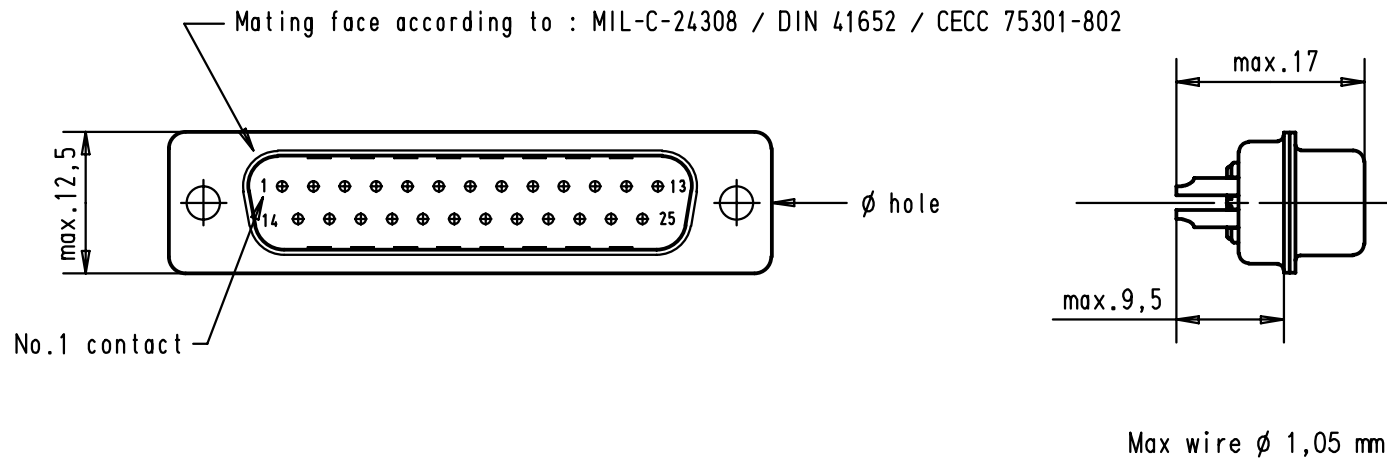
2

1

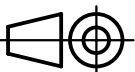

D

C

B



A

						Detail.	Dat.	Name	 All Dim. in mm Orig. Size DIN A 4	D-Sub, Male, Straight 25 Poles with turned solder buckets and hole	Maßstab/ Scale 1.5:1
09 67 025 5615.05	3.1 ^{+0,1}	S4				Insp.	18/07/01	AF			
09 67 025 5615.00	3.1 ^{+0,1}	2				Stand.					
09 67 025 5604.00	3.1 ^{+0,1}	3									Blatt/ Page 1 1
			29700	18/07/01	AF	HARTING EURL F-95972 Paris			TB 096702556xx		
Part number	ø hole	Performance level	Mod.	Dat.	Name				Sub.		