

5

4

3

2

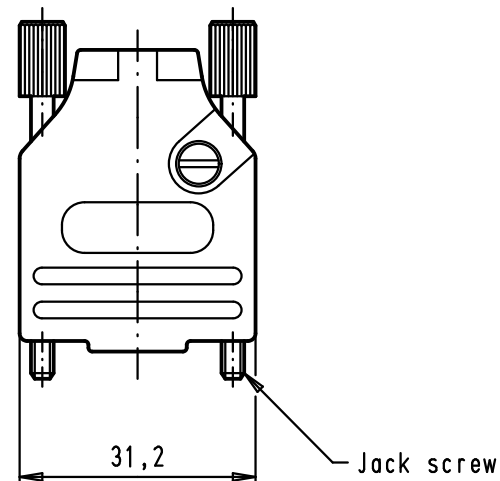
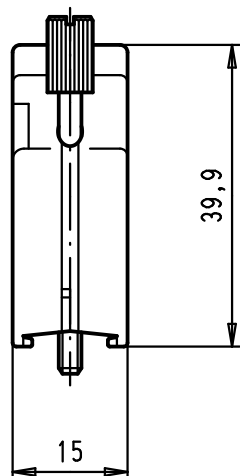
1

D

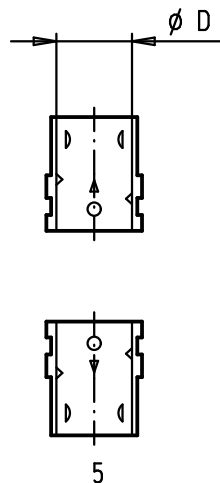
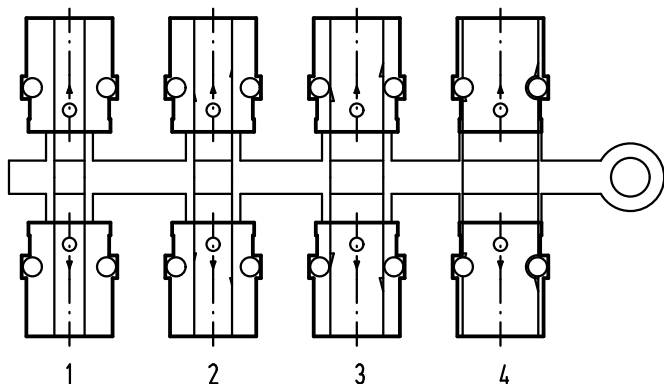
C

B


A



Grommet set halves



Grommet dimensions	
Number	Diameter D
1	4,0
2	5,0
3	7,0
4	10,0
5	10,2

				Dot.	Name	 All Dim. in mm Orig. Size DIN A 4	D-Sub hood, 9 poles top entry, full metal die cast	Maßstab/ Scale  1:1	
				Detail.	24/10/04				TR
				Insp.					
				Stand.					
09 67 009 0348	M3	34401	23/08/07	PK	HARTING EURL F-95972 Paris		TB 09 67 009 034X	Blatt/ Page 1 / 4	
09 67 009 0343	UNC 4-40	33112	28/09/05	JMDR					
Part number	Jack screw thread	32336	24/11/04	TR					
		Mod.	Dot.	Name			Sub.		