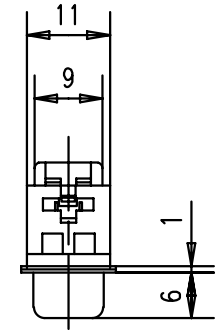
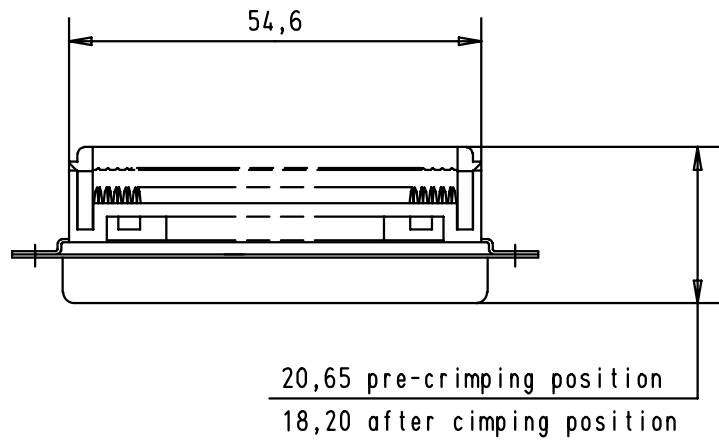
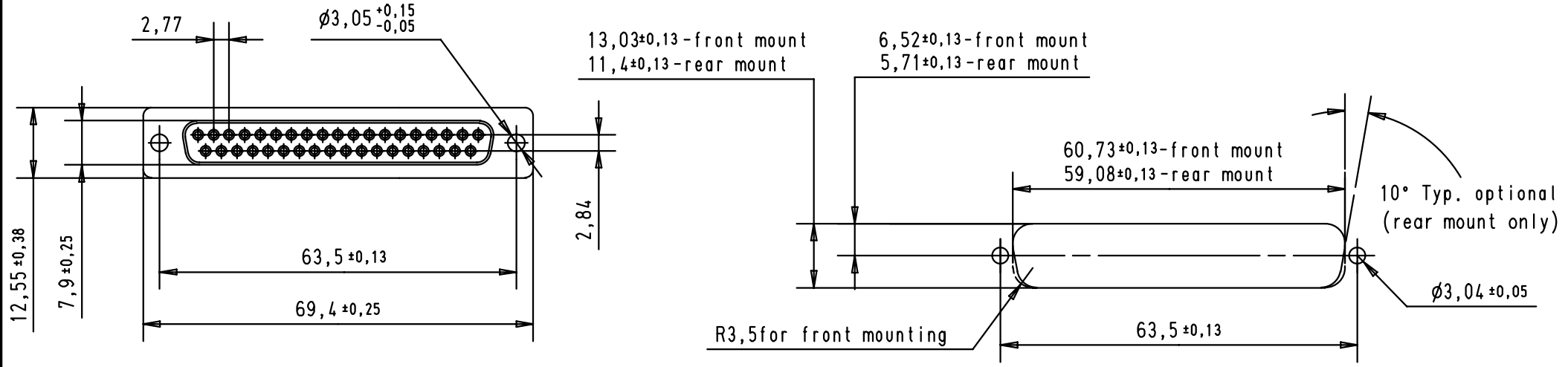




5 4 3 2 1

RECOMMENDED PANEL CUTOUT DIMENSIONS



1.27 mm pitch flat cable stranded, wire sizes : AWG 26 to 28

A	09 66 418 7500	37	3								 All Dim. in mm Orig. Size DIN A 4	D-Sub female connector Insulation displacement termination through holes fixing	Maßstab/ Scale 1 : 1
	09 66 418 6500	37	2				Detail.	09/07/01	S.H.				
	09 66 418 5500	37	0.76 $\mu$ m Au				Insp.						
							Stand.						
				29771	16-APR-02	CV	HARTING ELEKTRONIK F-95972 Paris				TB 0966 418 x500	Blatt/ Page 1 /	
				29756	19-MAR-02	CV							
part number	No of contact	performance level		29697	09/07/01	S.H.							
				Mod.	Dat.	Name				Sub.			