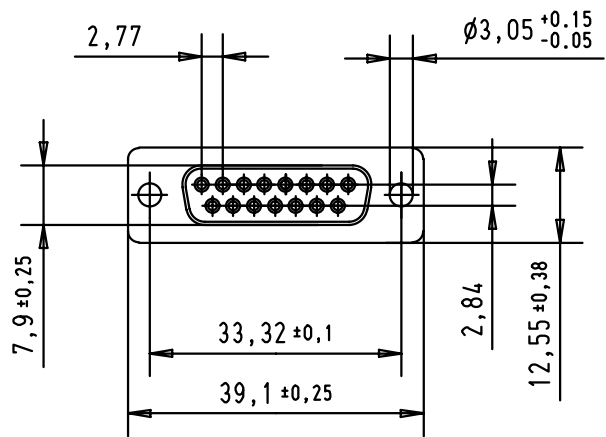


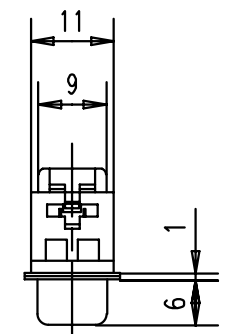
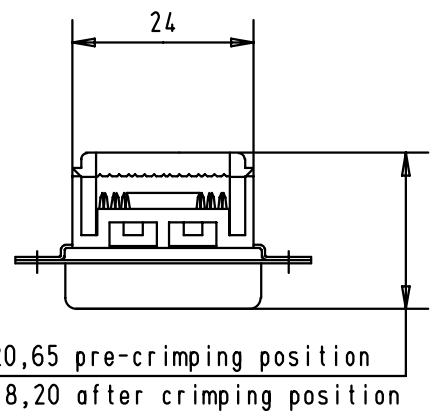
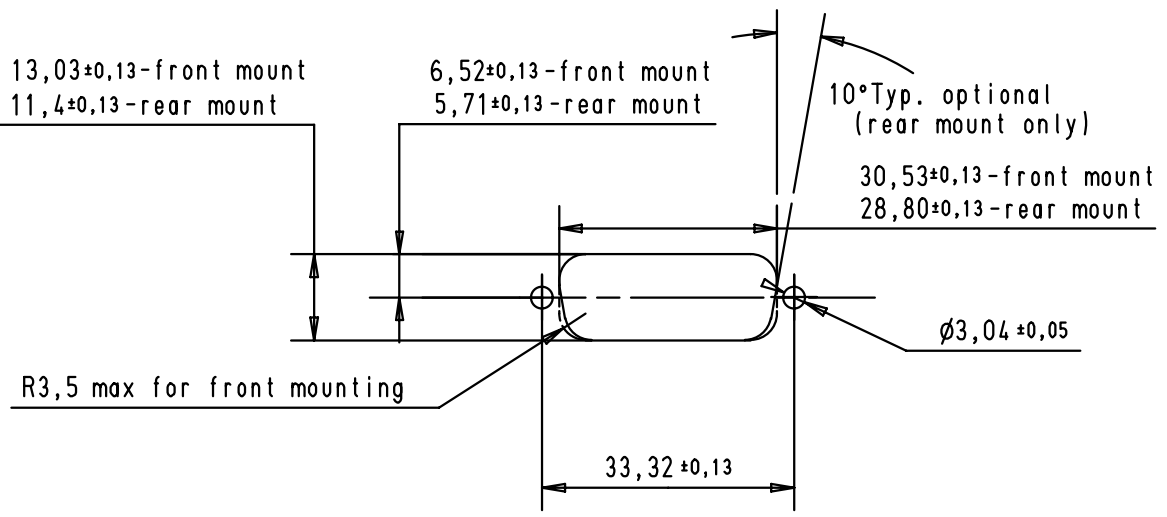
5 4 3 2 1

RECOMMENDED PANEL CUTOUT DIMENSIONS

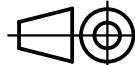



13,03$\pm 0,13$-front mount
11,4$\pm 0,13$-rear mount

6,52$\pm 0,13$-front mount
5,71$\pm 0,13$-rear mount



1.27 mm pitch flat cable stranded, wire sizes : AWG 26 to 28

A	09 66 218 7500	15	3								 D-Sub female connector Insulation displacement termination through holes fixing	Maßstab/ Scale 1 : 1
	09 66 218 6500	15	2				Detail.	09/07/01	S.H.	All Dim. in mm Orig. Size DIN A 4		
	09 66 218 5500	15	0.76 μ m Au				Insp.					
							Stand.					
				29771	16-AVR-02	CV	HARTING ELEKTRONIK F-95972 Paris			 TB 0966 218 x500	Blatt/ Page 1 /	
				29756	19-MAR-02	CV						
part number	No of contact	performance level		29697	09/07/01	S.H.						
				Mod.	Dat.	Name				Sub.		