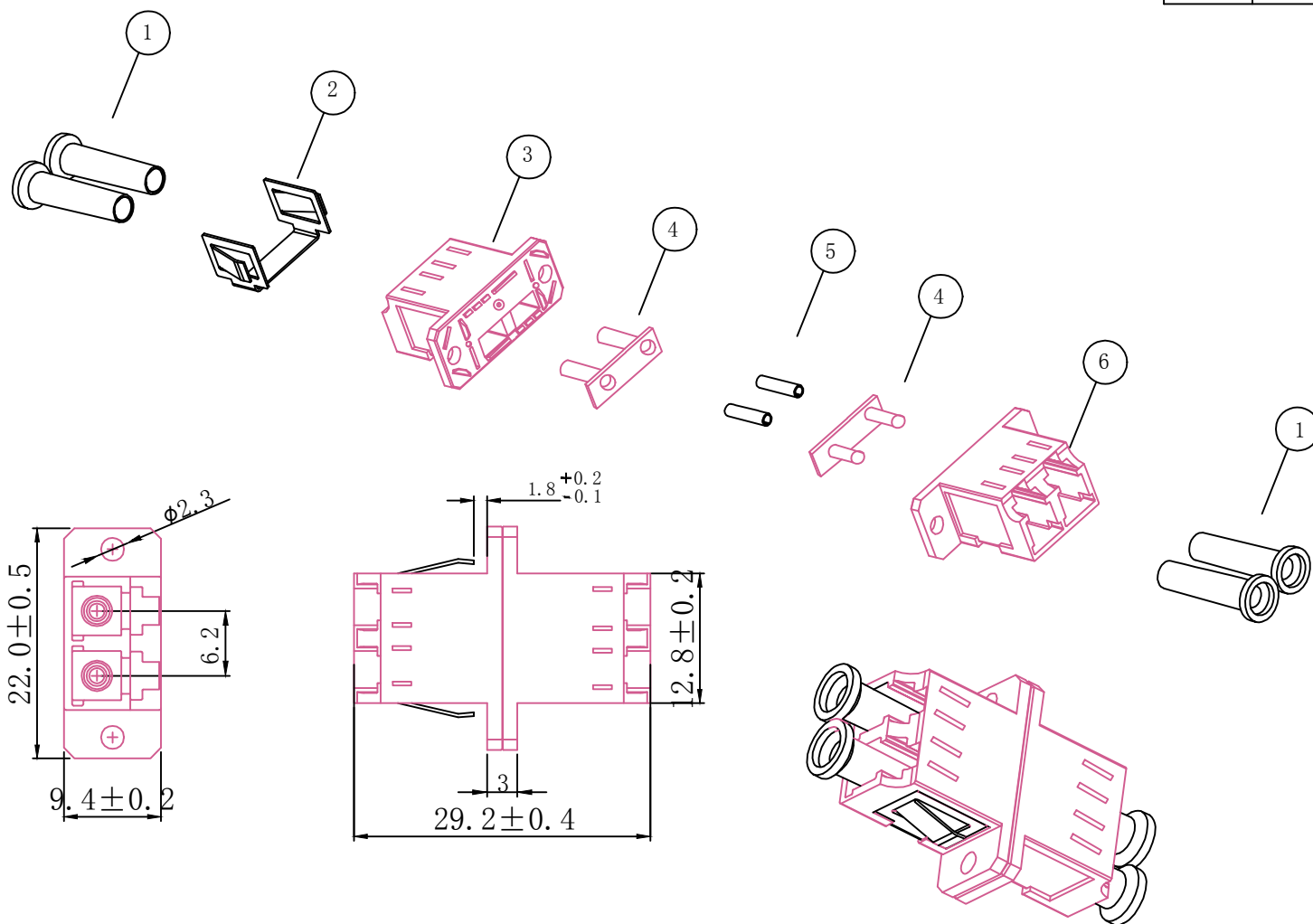


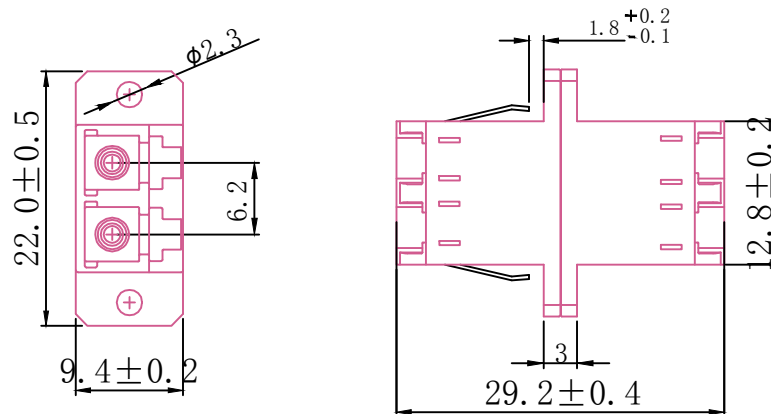


LABEL



NOTE:
RoHS 2.0 & Reach COMPLIANT
PACKING: 25PCS/BLISTER 100PCS/PE BAG+LABEL

Insertion Loss (typical) (dB)	≤0.12
Insertion Loss (dB)	≤0.30
Operating Temperature (° C)	-40 ~ +80
Storage Temperature (° C)	-40 ~ +85



MATERIAL LIST:

⑥	LC Erika violett Body RAL4003 (SC simplex footprint)	1pcs	
⑤	LC Sleeve ceramic (Multi-Mode)	1pcs	
④	Erika violett bush RAL4003	2pcs	
③	LC Erika violett Body RAL4003 (SC simplex footprint)	1pcs	
②	LC Metal Mount	1pcs	
①	LC White Dust Cap	4pcs	
NO.	SPECIFICATION STANDARD	QT' Y	REMARK

LogiLink Professional

		NEW		2016-12-10	A	PRODUCT NAME: LC MM Erika violett (ceramic) Duplex Plastic Adapter (SC SX Footprint)		UNIT	MM
BY	CHK	REVISION RECORD MODIFICATIONS		DATE	REV.	DRAWNBY	CHECKBY	APPOBY	DATE
									2016-12-10