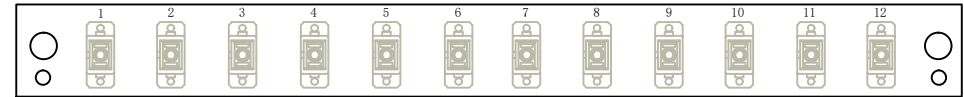
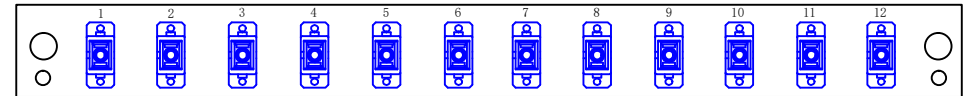


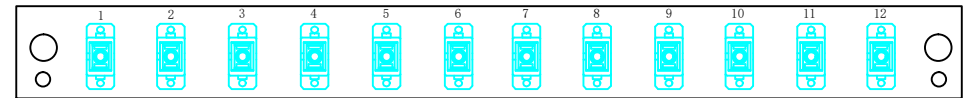
19" 1U Fiber Optic Patch panel Front panel for 12 × SC simplex Adapter vertical ,Black



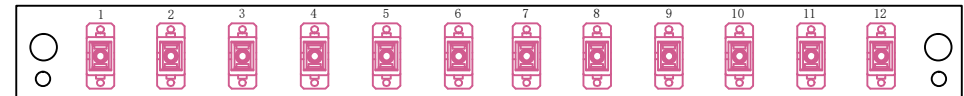
F103209 12 × SC OM2 Beige Simplex Adapter



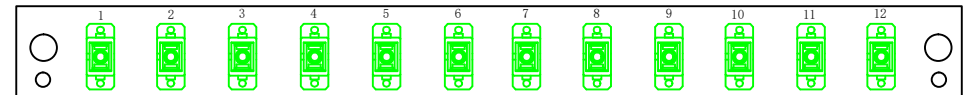
F103206 12 × SC SM Blue Simplex Adapter



F103210 12 × SC OM3 Aqua Simplex Adapter



F103205 12 × SC OM4 Erika Viollett Simplex Adapter



103201 24 × SC APC Green Simplex Adapter

MATERIAL LIST:

⑥	Screw	ST 2*10 Screw	24	
⑤	Push pin	ABS OD:15.8	2	
④	Spool	Fibre cable management Spool	2	
③	Splicing tray	24 Core Splicing tray	1	
②	Pigtail	Pigtail SC 12 different colours	1	
①	Adapter	SC Simplex Adapter	12	
NO.	PARTS NAME	SPECIFICATION DESCRIPTION	QT'Y	REMARK

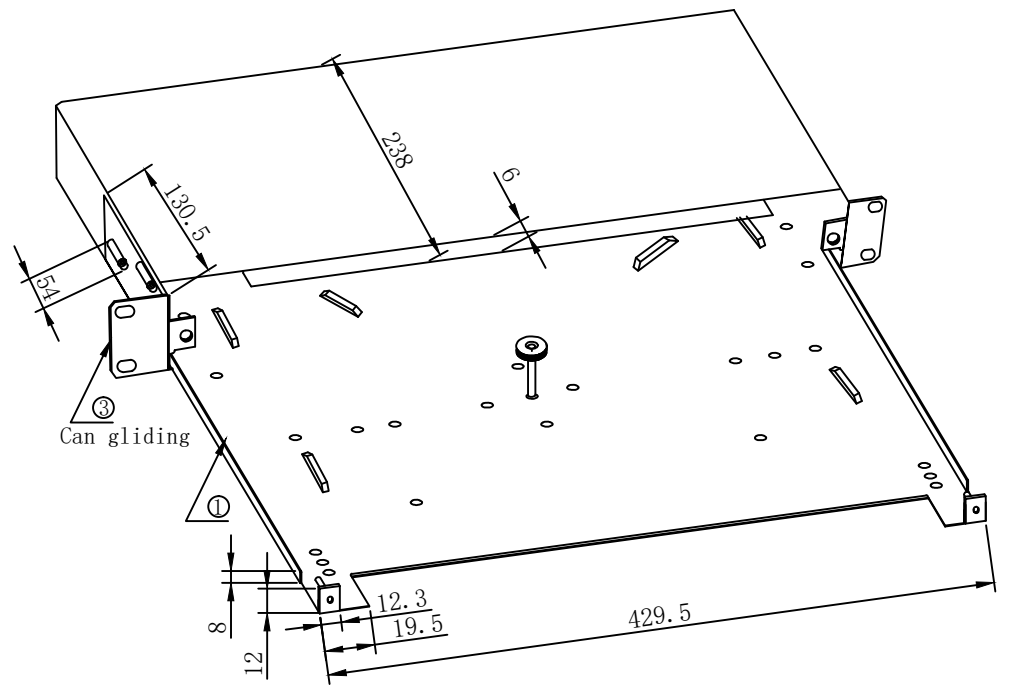
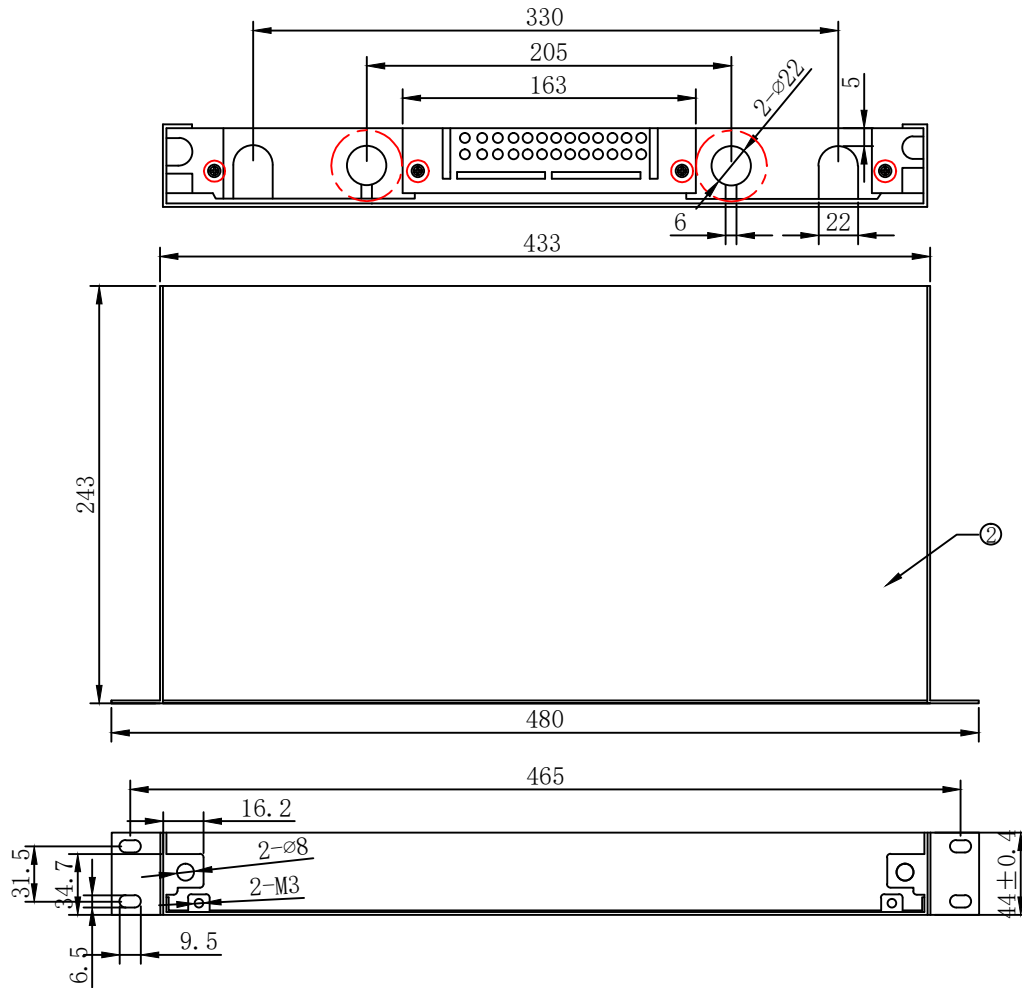
NOTE:

RoHS 2.0 COMPLIANT

1. Black (RAL 9005) matt black surface treatment
2. 1 2 3 424
3. packing:1PCS/PE BAG+inner box +label

LogiLink Professional F12SS2/3/4

		2Direct GmbH		ITEM NO.			
PRODUCT NAME		19" Fiber Optic Patch Panel, Fully loaded 1U" sliding type with 12 core SC SX Adapter and pigtail		ITEM NO.		UNIT MM	
DRAWNBY		CHECKBY		APPOBY		DATE	
BY	CHK	REVISION RECORD MODIFICATIONS		DATE	REV.	2016.08.25	

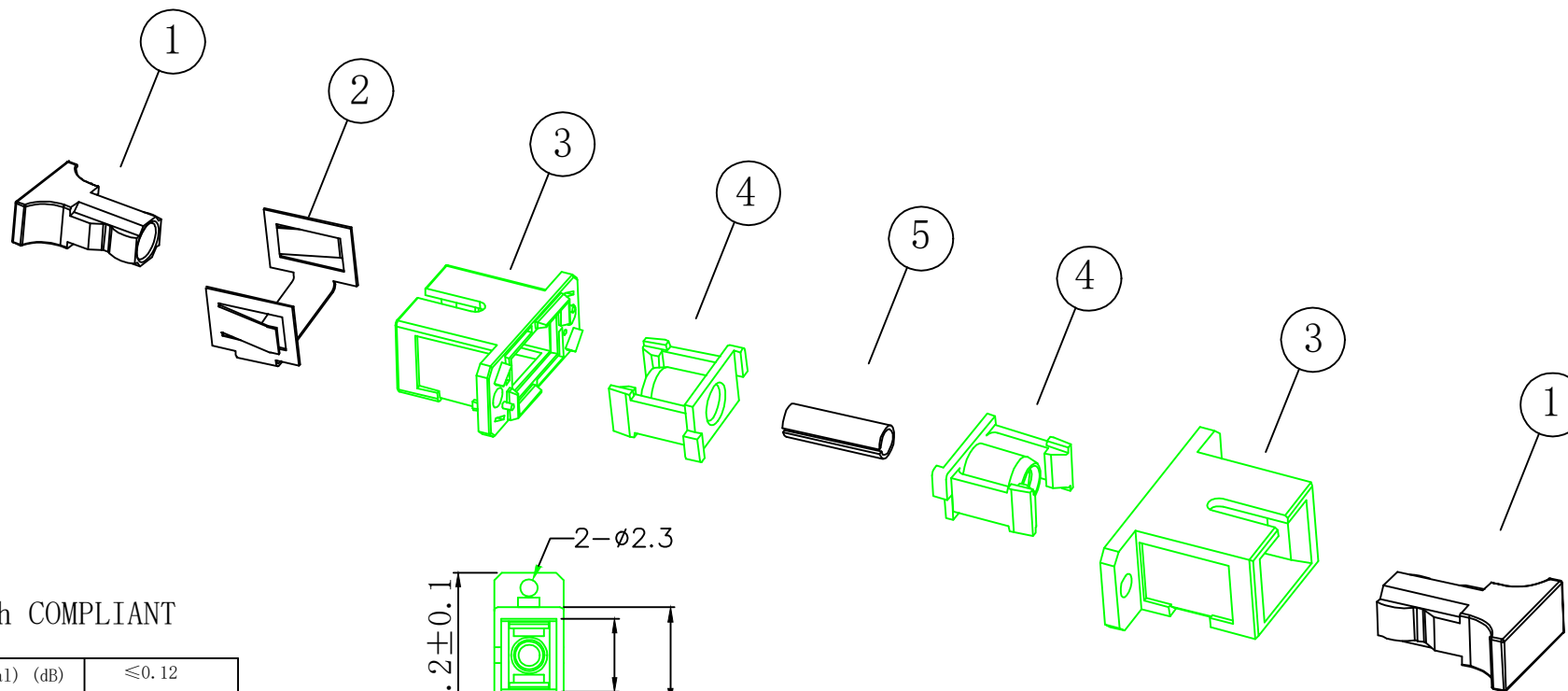


NOTE:
 RoHS 2.0 COMPLIANT
 19" Fiber Optic Patch Panel, 1U" Sliding Type
 Changeable Front Panel
 Bottom panel 45° degree clippable
 Colour: Black (RAL 9005)
 Accessory: Screw and Nut M6*18mm x 4set
 Cable Glands PG13.5 x 2 pcs
 Cable Tie 2.2*80mm x 6 pcs

MATERIAL LIST:

NO.	PARTS NAME	SPECIFICATION DESCRIPTION	QT'Y	REMARK
⑤	Push pin	ABS OD:15.8	2	
④	Front panel	1.0mm thickness Metallic Panel with plastic powder cladding	1	
③	Mounting	1.5mm thickness Metallic Panel with plastic powder cladding	2	
②	Upper Panel Cover	1.0mm thickness Metallic Panel with plastic powder cladding	1	
①	Bottom Panel	1.0mm thickness Metallic Panel with plastic powder cladding	1	
		NEW	2016. 08. 25	A
BY	CHK	REVISION RECORD MODIFICATIONS	DATE	REV.

LogiLink Professional F12SS2/3/4				
		2Direct Gmbh	ITEM NO.	
PRODUCT NAME	19" Fiber Optic Patch Panel, 1U" sliding type	ITEM NO.	UNIT	MM
DRAWNBY	CHECKBY	APPOBY	DATE	
			2016. 08. 25	



NOTE:
RoHS 2.0 & Reach COMPLIANT

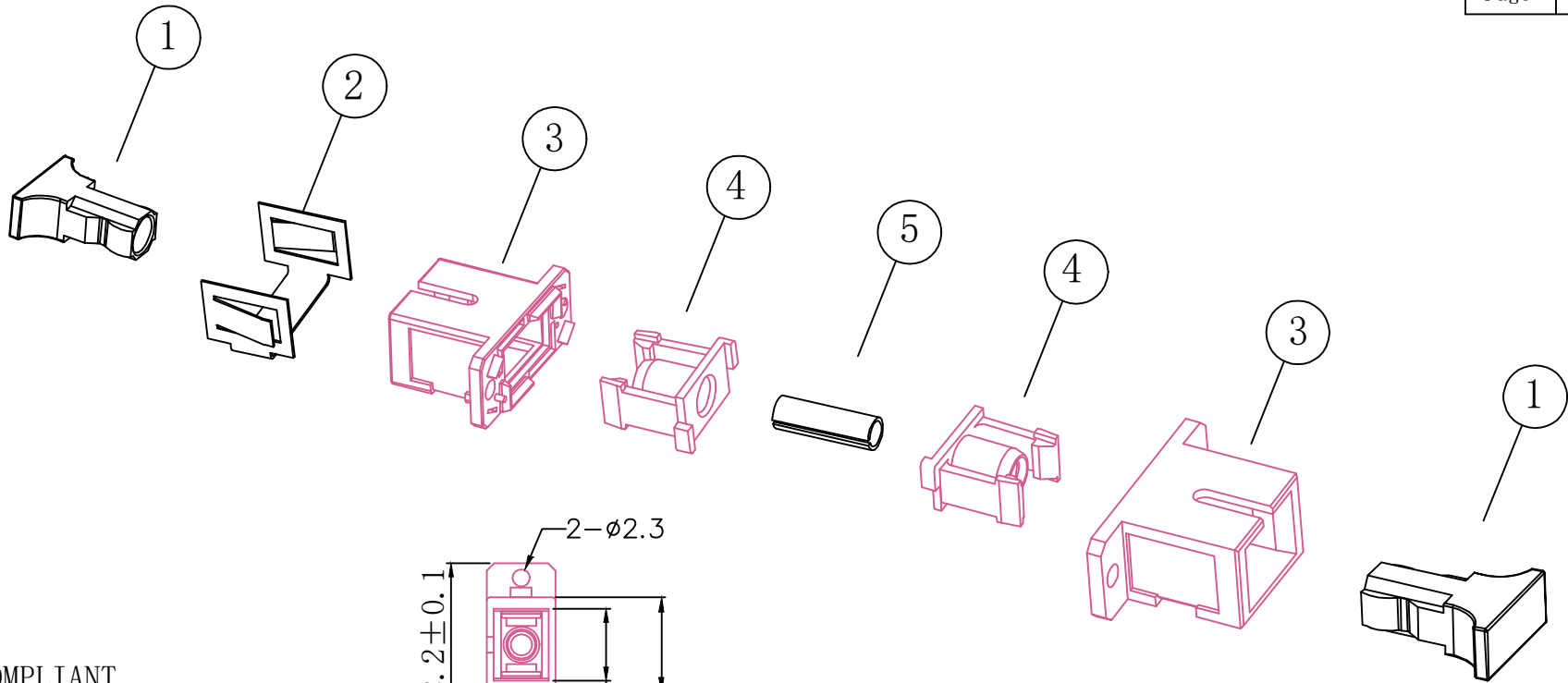
Insertion Loss (typical) (dB)	≤0.12
Insertion Loss (dB)	≤0.20
Operating Temperature (° C)	-40 ~ +80
Storage Temperature (° C)	-40 ~ +85

MATERIAL LIST:

⑤	SC/APC Sleeve ceramic (Single-mode)	1pcs	
④	SC GREEN Bush	2pcs	
③	SC Simplex Green Body with flange	2pcs	
②	SC Metal Mount	1pcs	
①	SC Black Dust Cap	2pcs	
NO.	SPECIFICATION STANDARD	QT'Y	REMARK

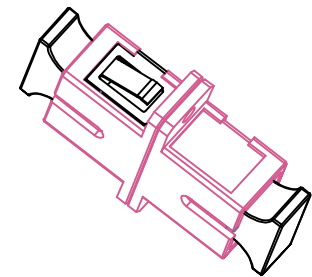
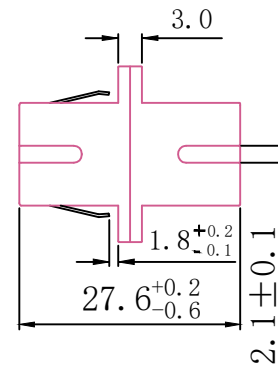
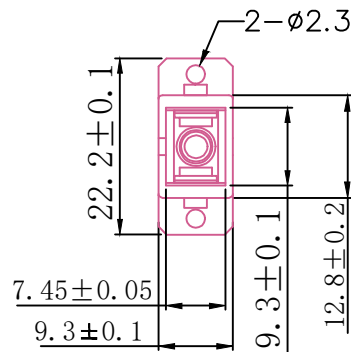
2Direct Gmbh		ITEM NO.	
PRODUCT NAME	SC/APC Green (ceramic) Simplex plastic Adapter	ITEM NO.	
DRAWNBY	CHECKBY	APPOBY	DATE
			2016. 08. 25

BY	CHK	NEW	2016. 08. 25	A
		REVISION RECORD MODIFICATIONS	DATE	REV.



NOTE:
RoHS 2.0 & Reach COMPLIANT

Insertion Loss (typical) (dB)	≤0.12
Insertion Loss (dB)	≤0.20
Operating Temperature(° C)	-40 ~+80
Storage Temperature(° C)	-40 ~+85

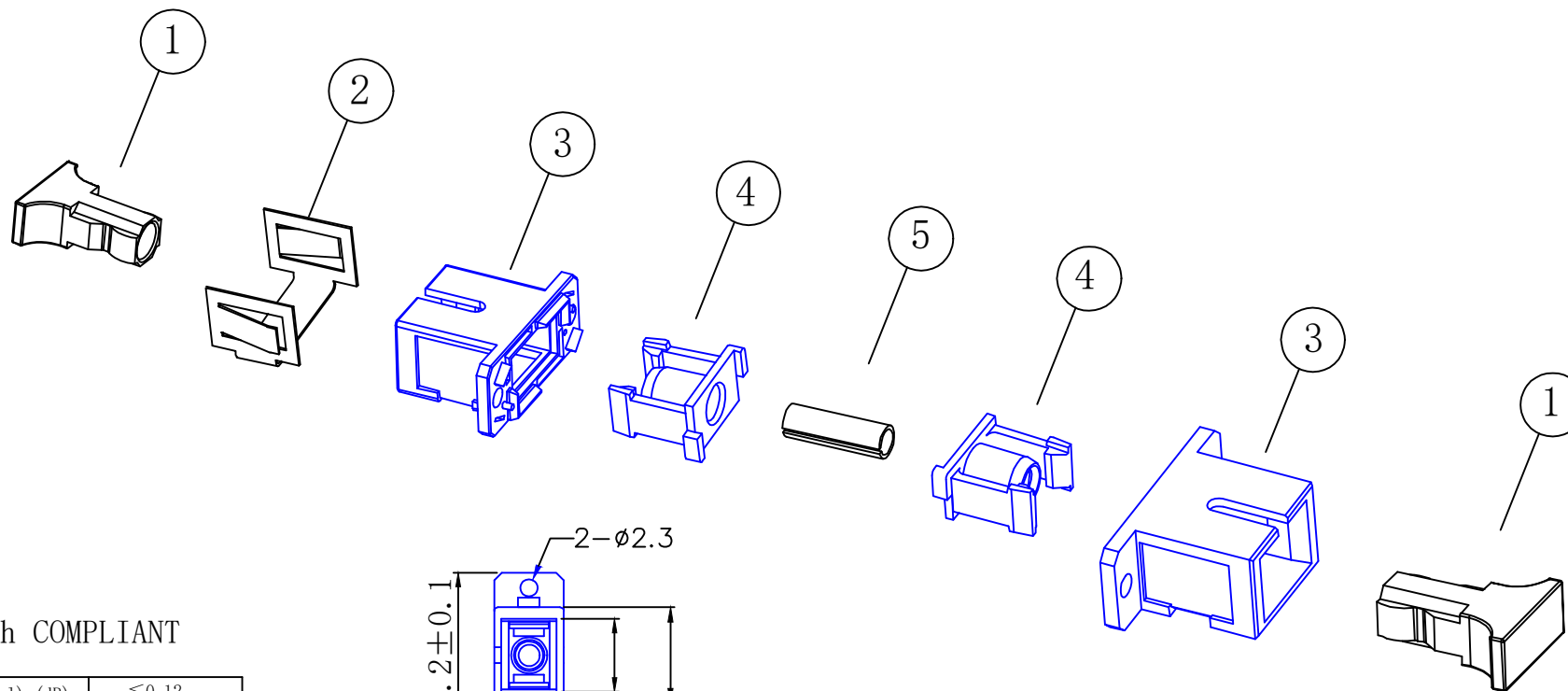


MATERIAL LIST:

⑤	SC Sleeve ceramic (Multi-Mode)	1pcs	
④	SC Erika violett Bush	2pcs	
③	SC Simplex Erika violett Body with flange	2pcs	
②	SC Metal Mount	1pcs	
①	SC Black Dust Cap	2pcs	
NO.	SPECIFICATION STANDARD	QT' Y	REMARK

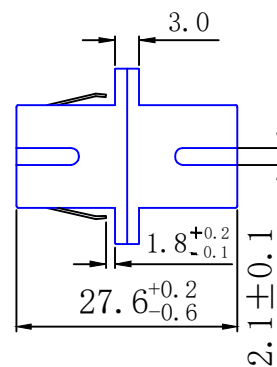
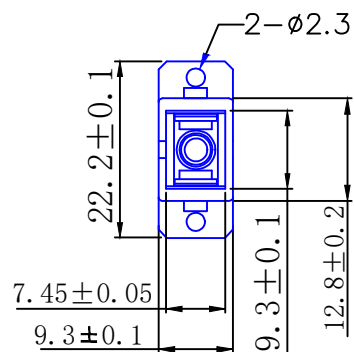
2Direct GmbH		ITEM NO.			
PRODUCT NAME	SC MM Erika violett (ceramic Simplex plastic Adapter)	ITEM NO.	1	UNIT	MM
DRAWNBY	CHECKBY	APPOBY	DATE		
			2016. 08. 25		

BY	CHK	REVISION RECORD MODIFICATIONS	DATE	REV.
		NEW	2016. 08. 25	A



NOTE:
RoHS 2.0 & Reach COMPLIANT

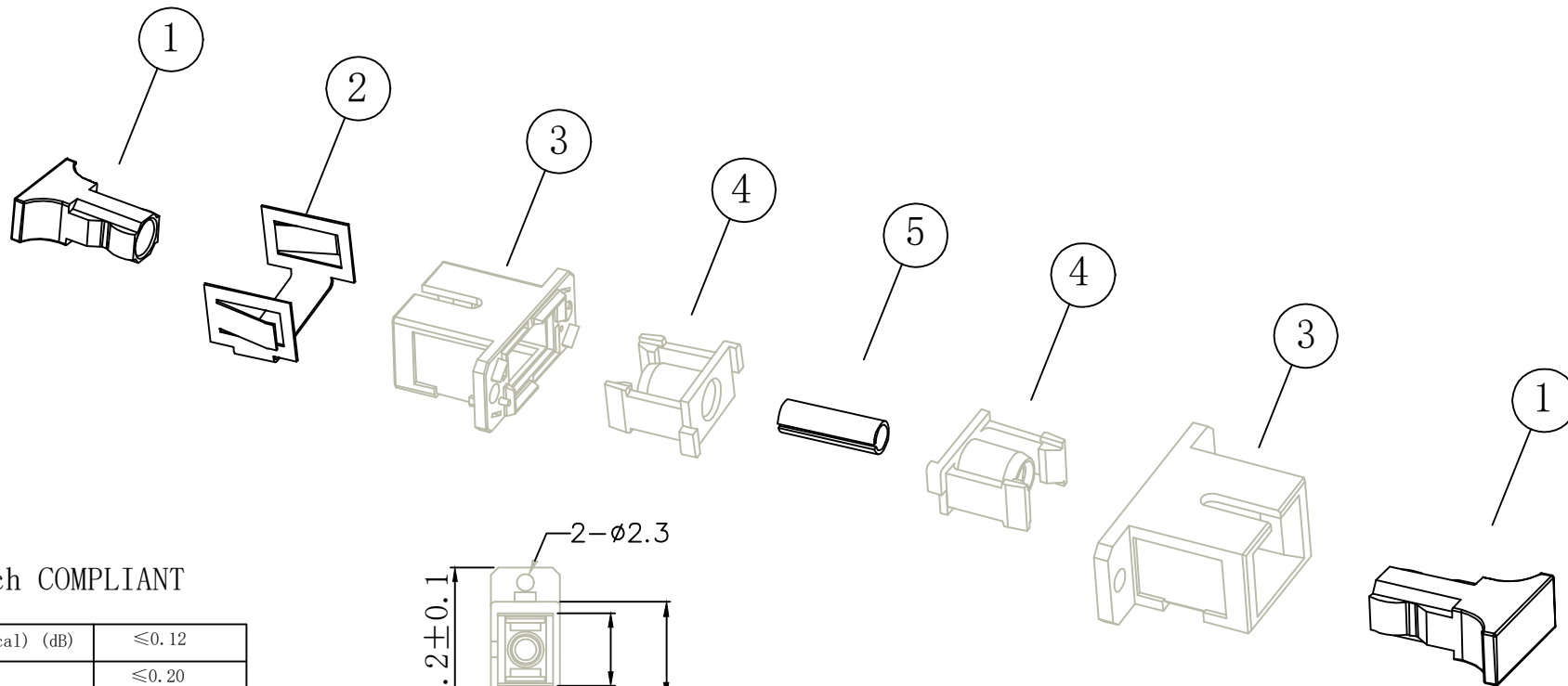
Insertion Loss (typical) (dB)	≤0.12
Insertion Loss(dB)	≤0.20
Operating Temperature(° C)	-40 ~+80
Storage Temperature(° C)	-40 ~+85



MATERIAL LIST:

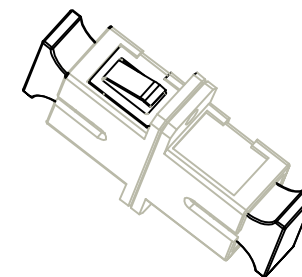
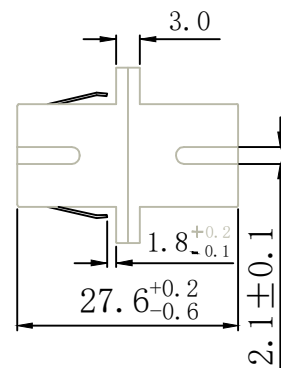
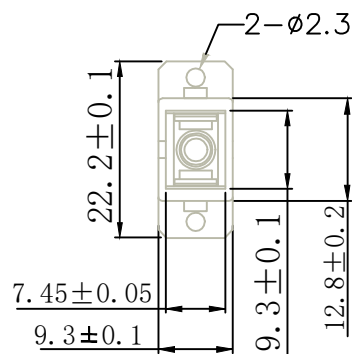
⑤	SC Sleeve Ceramic(Single-mode)	1pcs	
④	SC Blue Bush	2pcs	
③	SC Simplex Blue Body with flange	2pcs	
②	SC Metal Mount	1pcs	
①	SC Black Dust Cap	2pcs	
NO.	SPECIFICATION STANDARD	QT' Y	REMARK

		2Direct Gmbh		ITEM NO.				
PRODUCT NAME		SC SM blue (ceramic) Simplex plastic Adapter	ITEM NO.	UNIT	MM			
BY	CHK	NEW	2016-0 -2	A	DRAWNBY	CHECKBY	APPOBY	DATE
		REVISION RECORD MODIFICATIONS	DATE	REV.			2016-0 -2	



NOTE:
RoHS 2.0 & Reach COMPLIANT

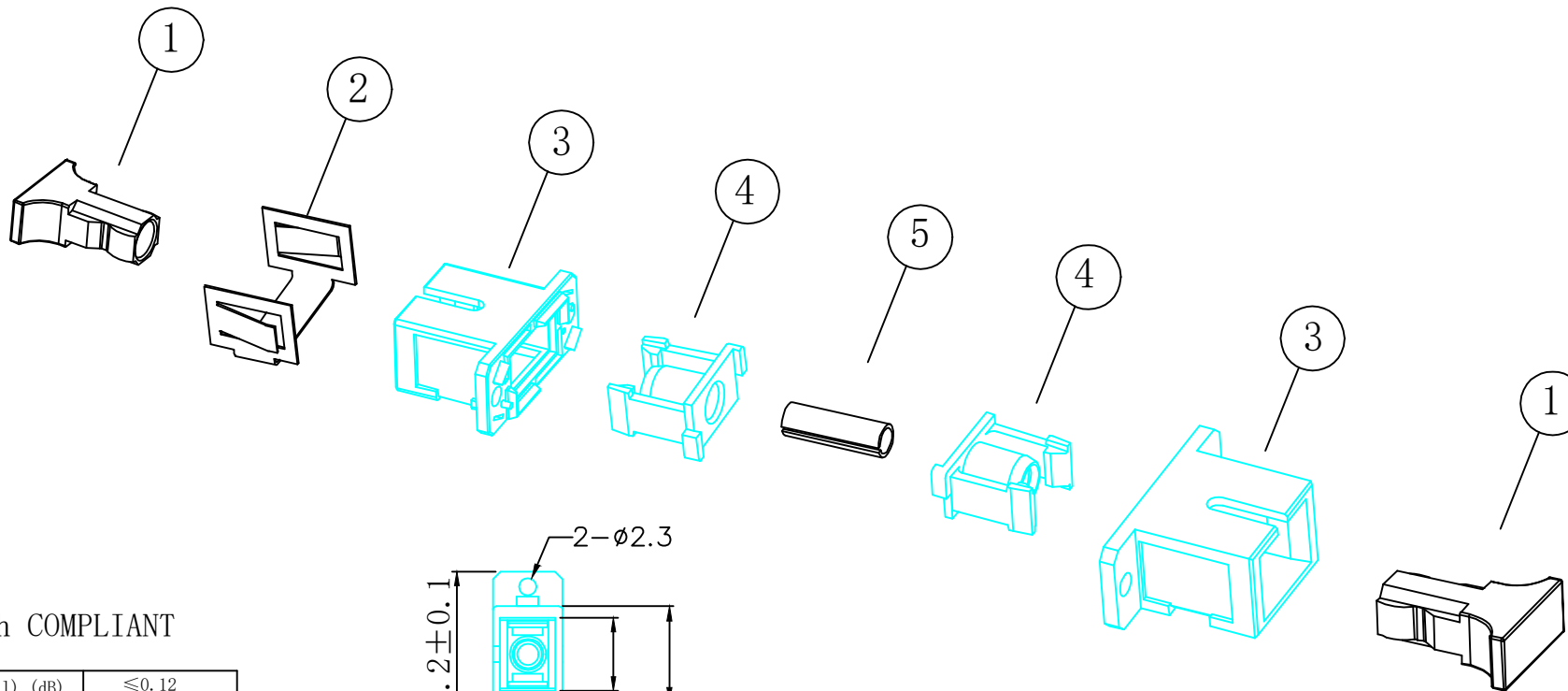
Insertion Loss (typical) (dB)	≤0.12
Insertion Loss (dB)	≤0.20
Operating Temperature (° C)	-40 ~+80
Storage Temperature (° C)	-40 ~+85



MATERIAL LIST:

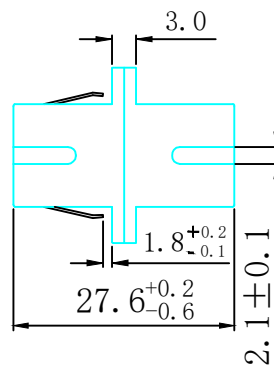
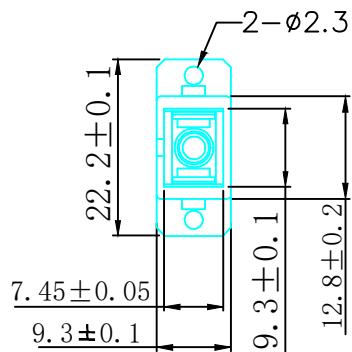
⑤	SC Sleeve ceramic (Multi-Mode)	1pcs	
④	SC Beige Bush	2pcs	
③	SC Simplex Beige Body with flange	2pcs	
②	SC Metal Mount	1pcs	
①	SC Black Dust Cap	2pcs	
NO.	SPECIFICATION STANDARD	QT' Y	REMARK

		2Direct Gmbh		ITEM NO.			
PRODUCT NAME		SC MM beige (ceramic) Simplex plastic Adapter		ITEM NO.		UNIT MM	
BY	CHK	NEW	2016- -2	A	DRAWNBY	CHECKBY	APPOBY
REVISION RECORD MODIFICATIONS		DATE	REV.			DATE	
						2016-0 -2	



NOTE:
RoHS 2.0 & Reach COMPLIANT

Insertion Loss (typical) (dB)	≤0.12
Insertion Loss (dB)	≤0.20
Operating Temperature (° C)	-40 ~ +80
Storage Temperature (° C)	-40 ~ +85



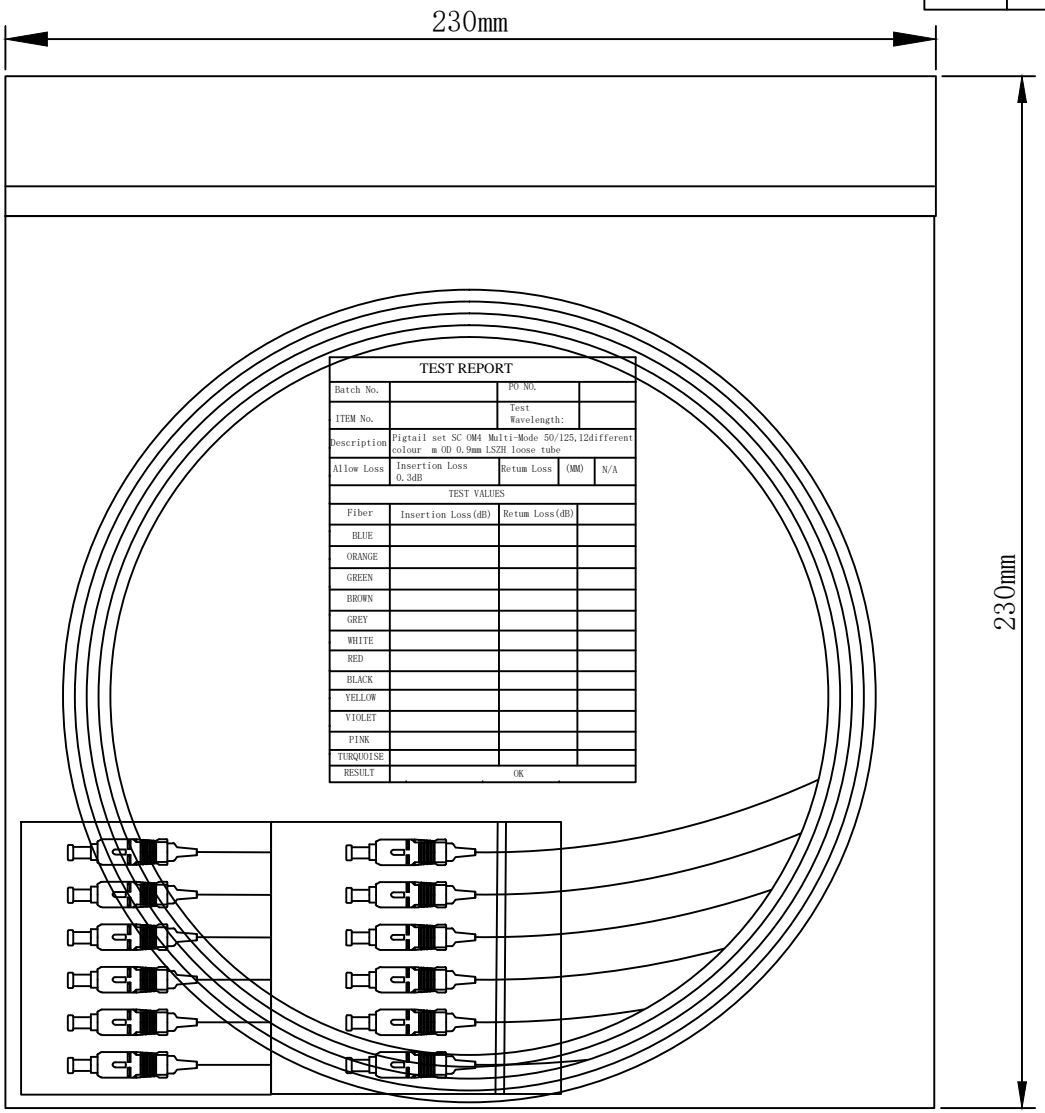
MATERIAL LIST:

⑤	SC Sleeve ceramic (Multi-Mode)	1pcs	
④	SC Aqua Bush	2pcs	
③	SC Simplex Aqua Body with flange	2pcs	
②	SC Metal Mount	1pcs	
①	SC Black Dust Cap	2pcs	
NO.	SPECIFICATION STANDARD	QT' Y	REMARK

LogiLink Professional F12SS2/3/4

		2Direct GmbH		ITEM NO.			
PRODUCT NAME		SC MM Aqua (ceramic) Simplex plastic Adapter		ITEM NO.		1	
DRAWNBY		CHECKBY		APPOBY		DATE	
BY	CHK	REVISION RECORD MODIFICATIONS		DATE	REV.	2016-0 -2	

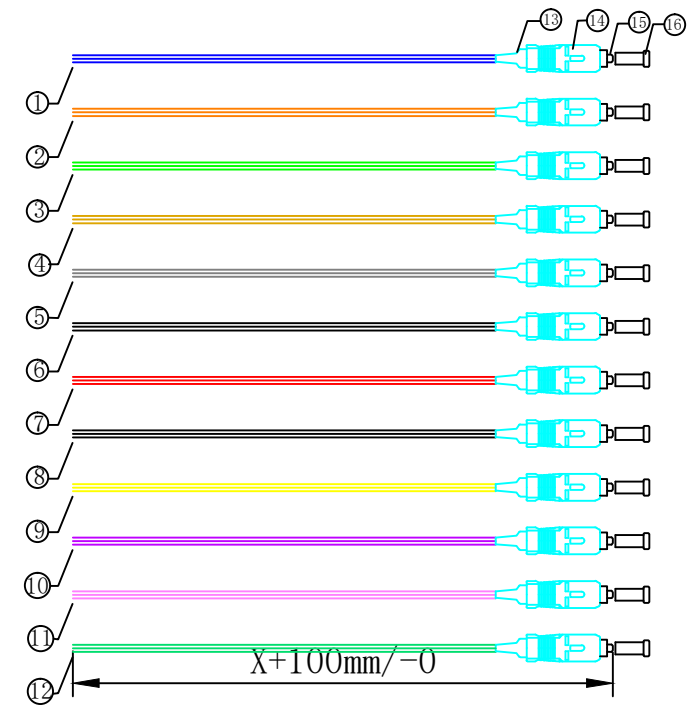
TEST REPORT				
Batch No.		PO NO.		
ITEM No.		Test Wavelength:		
Description	Pigtail set SC OM4 Multi-Mode 50/125, 12 different colour xm OD 0.9mm LSZH loose tube			
Allow Loss	Insertion Loss 0.3dB	Return Loss	(MM)	N/A
TEST VALUES				
Fiber	Insertion Loss (dB)	Return Loss (dB)		
BLUE				
ORANGE				
GREEN				
BROWN				
GREY				
WHITE				
RED				
BLACK				
YELLOW				
VIOLET				
PINK				
TURQUOISE				
RESULT	OK			



TEST REPORT				
Batch No.		PO NO.		
ITEM No.		Test Wavelength:		
Description	Pigtail set SC OM4 Multi-Mode 50/125, 12 different colour xm OD 0.9mm LSZH loose tube			
Allow Loss	Insertion Loss 0.3dB	Return Loss	(MM)	N/A
TEST VALUES				
Fiber	Insertion Loss (dB)	Return Loss (dB)		
BLUE				
ORANGE				
GREEN				
BROWN				
GREY				
WHITE				
RED				
BLACK				
YELLOW				
VIOLET				
PINK				
TURQUOISE				
RESULT	OK			

		2Direct GmbH		ITEM NO.			
PRODUCT NAME	Pigtailset SC/UPC OM4 50/125 μm 12 different colors	ITEM NO.	1	UNIT	MM		
BY	CHK	NEW	2016. 08. 25	A	DRAWNBY	CHECKBY	APPOBY
REVISION RECORD MODIFICATIONS		DATE	REV.			2016. 08. 25	

NOTE:
 The primary coating and secondary coating
 have the same coulor
 ROHS 2.0 Compliant

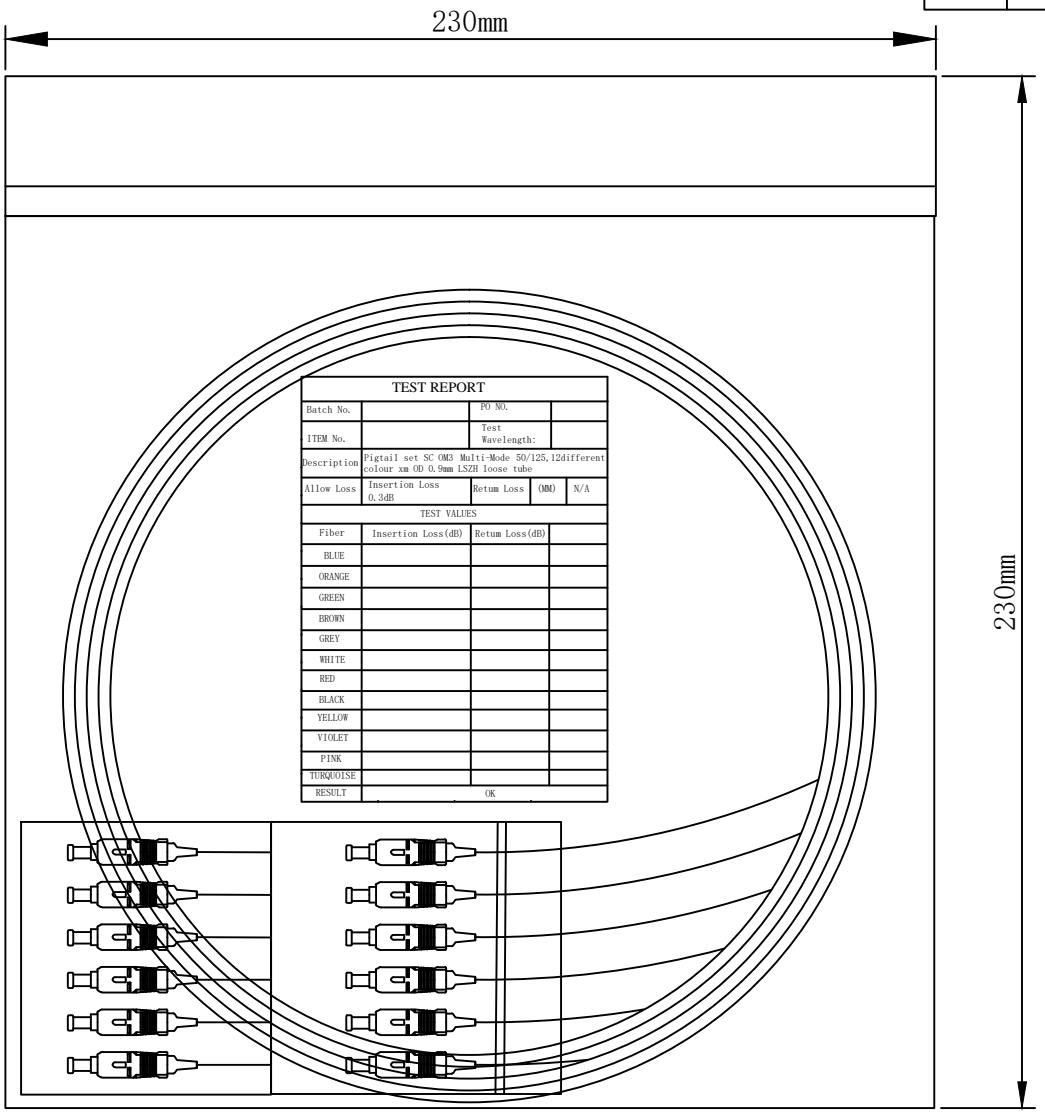


⑬	SC Transparent Dust Cap	12	
⑮	SC/ UPC MM Ferrule 126-128um	12	
⑭	SC MM 0.9 Aqua Connector	12	
⑬	SC 0.9 Aqua Boot	12	
⑫	Fiber Cable LOOSE TUBE MM OM3 50/125 0.9mm TURQUOISE LSZH	Xm	
⑪	Fiber Cable LOOSE TUBE MM OM3 50/125 0.9mm PINK LSZH	Xm	
⑩	Fiber Cable LOOSE TUBE MM OM3 50/125 0.9mm VIOLET LSZH	Xm	
⑨	Fiber Cable LOOSE TUBE MM OM3 50/125 0.9mm YELLOW LSZH	Xm	
⑧	Fiber Cable LOOSE TUBE MM OM3 50/125 0.9mm BLACK LSZH	Xm	
⑦	Fiber Cable LOOSE TUBE MM OM3 50/125 0.9mm RED LSZH	Xm	
⑥	Fiber Cable LOOSE TUBE MM OM3 50/125 0.9mm WHITE LSZH	Xm	
⑤	Fiber Cable LOOSE TUBE MM OM3 50/125 0.9mm GREY LSZH	Xm	
④	Fiber Cable LOOSE TUBE MM OM3 50/125 0.9mm BROWN LSZH	Xm	
③	Fiber Cable LOOSE TUBE MM OM3 50/125 0.9mm GREEN LSZH	Xm	
②	Fiber Cable LOOSE TUBE MM OM3 50/125 0.9mm ORANGE LSZH	Xm	
①	Fiber Cable LOOSE TUBE MM OM3 50/125 0.9mm BLUE LSZH	Xm	
NO	SPECIFICATION STANDARD	QT' Y	REMARK

Type	Multi-Mode
Insertion Loss	<=0.3dB
Return Loss	NA
Test Wavelength	850nm

		2Direct Gmbh		ITEM NO.			
PRODUCT NAME		Pigtailset SC/UPC OM3 50/125 μm 12 different coulor		ITEM NO.		UNIT	MM
NEW		2016.08.25	A	DRAWNBY	CHECKBY	APPOBY	DATE
BY	CHK	REVISION RECORD MODIFICATIONS		DATE	REV.	2016.08.25	

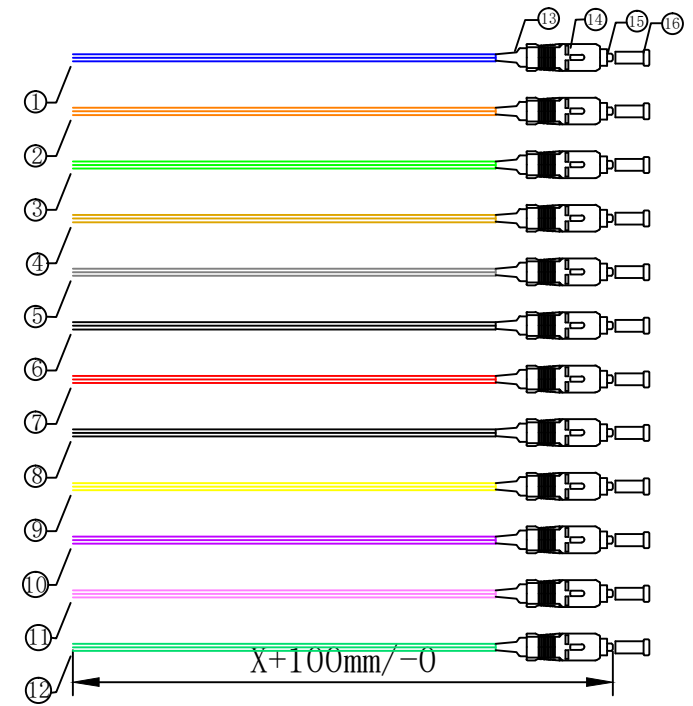
TEST REPORT				
Batch No.		PO NO.		
ITEM No.		Test Wavelength:		
Description	Pigtail set SC OM3 Multi-Mode 50/125, 12 different colour xm OD 0.9mm LSZH loose tube			
Allow Loss	Insertion Loss 0.3dB	Return Loss	(MM)	N/A
TEST VALUES				
Fiber	Insertion Loss (dB)	Return Loss (dB)		
BLUE				
ORANGE				
GREEN				
BROWN				
GREY				
WHITE				
RED				
BLACK				
YELLOW				
VIOLET				
PINK				
TURQUOISE				
RESULT	OK			



		2Direct Gmbh		ITEM NO.			
PRODUCT NAME	Pigtailset SC/UPC OM3 50/125 μm 12 different colors			ITEM NO.	1	UNIT	MM
BY	CHK	NEW	2016.08.25	A	DRAWNBY	CHECKBY	APPOBY
		REVISION RECORD MODIFICATIONS	DATE	REV.			DATE
							2016.08.25

NOTE:
The primary coating and secondary coating
have the same coulor

ROHS 2.0 Compliant

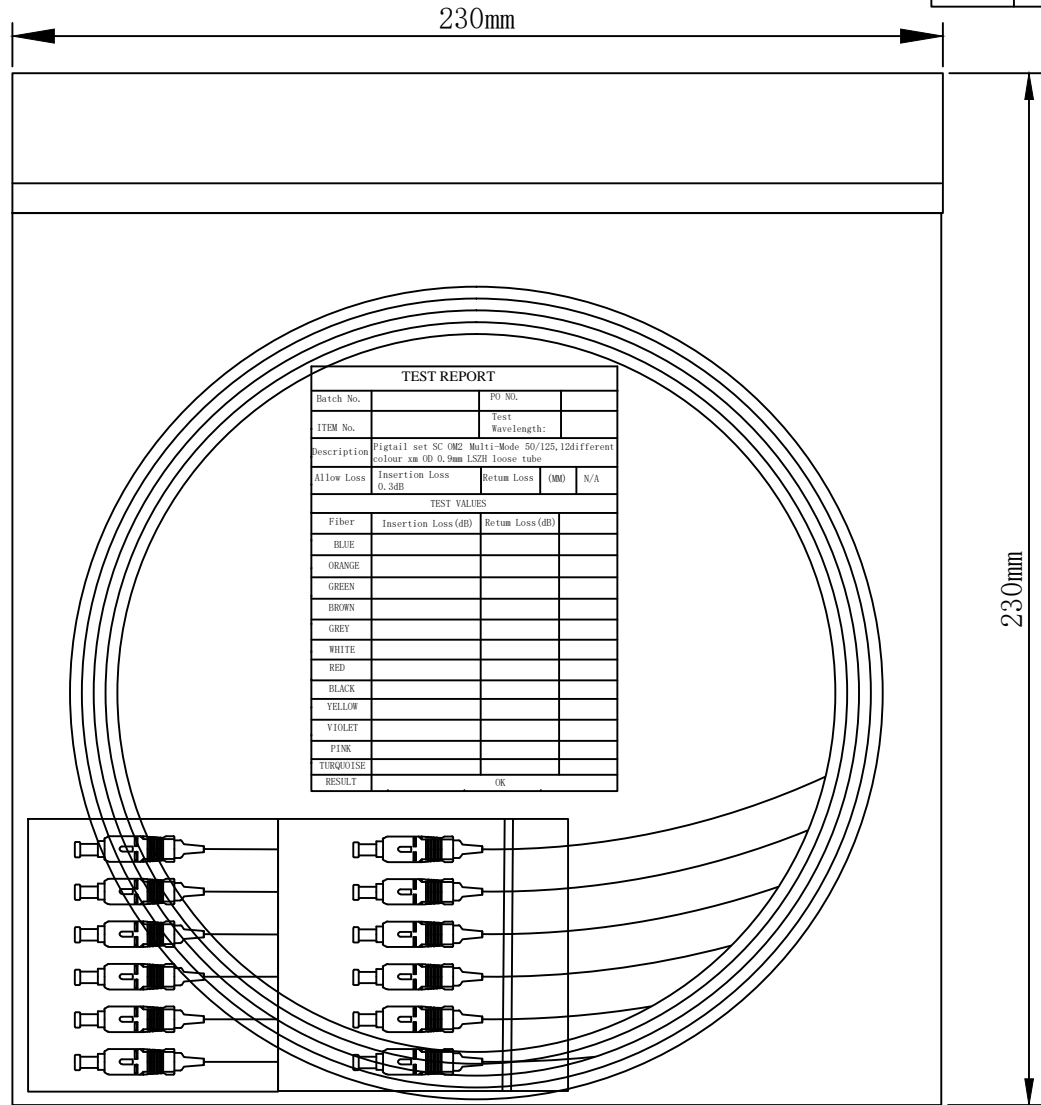


⑫	SC Transparent Dust Cap	12	
⑮	SC/ UPC MM Ferrule 126-128um	12	
⑭	SC MM 0.9 Beige Connector	12	
⑬	SC 0.9 Beige Boot	12	
⑫	Fiber Cable LOOSE TUBE MM OM2 50/125 0.9mm TURQUOISE LSZH	Xm	
⑪	Fiber Cable LOOSE TUBE MM OM2 50/125 0.9mm PINK LSZH	Xm	
⑩	Fiber Cable LOOSE TUBE MM OM2 50/125 0.9mm VIOLET LSZH	Xm	
⑨	Fiber Cable LOOSE TUBE MM OM2 50/125 0.9mm YELLOW LSZH	Xm	
⑧	Fiber Cable LOOSE TUBE MM OM2 50/125 0.9mm BLACK LSZH	Xm	
⑦	Fiber Cable LOOSE TUBE MM OM2 50/125 0.9mm RED LSZH	Xm	
⑥	Fiber Cable LOOSE TUBE MM OM2 50/125 0.9mm WHITE LSZH	Xm	
⑤	Fiber Cable LOOSE TUBE MM OM2 50/125 0.9mm GREY LSZH	Xm	
④	Fiber Cable LOOSE TUBE MM OM2 50/125 0.9mm BROWN LSZH	Xm	
③	Fiber Cable LOOSE TUBE MM OM2 50/125 0.9mm GREEN LSZH	Xm	
②	Fiber Cable LOOSE TUBE MM OM2 50/125 0.9mm ORANGE LSZH	Xm	
①	Fiber Cable LOOSE TUBE MM OM2 50/125 0.9mm BLUE LSZH	Xm	
NO	SPECIFICATION STANDARD	QT' Y	REMARK

Type	Multi-Mode
Insertion Loss	$\leq 0.3\text{dB}$
Return Loss	NA
Test Wavelength	850nm

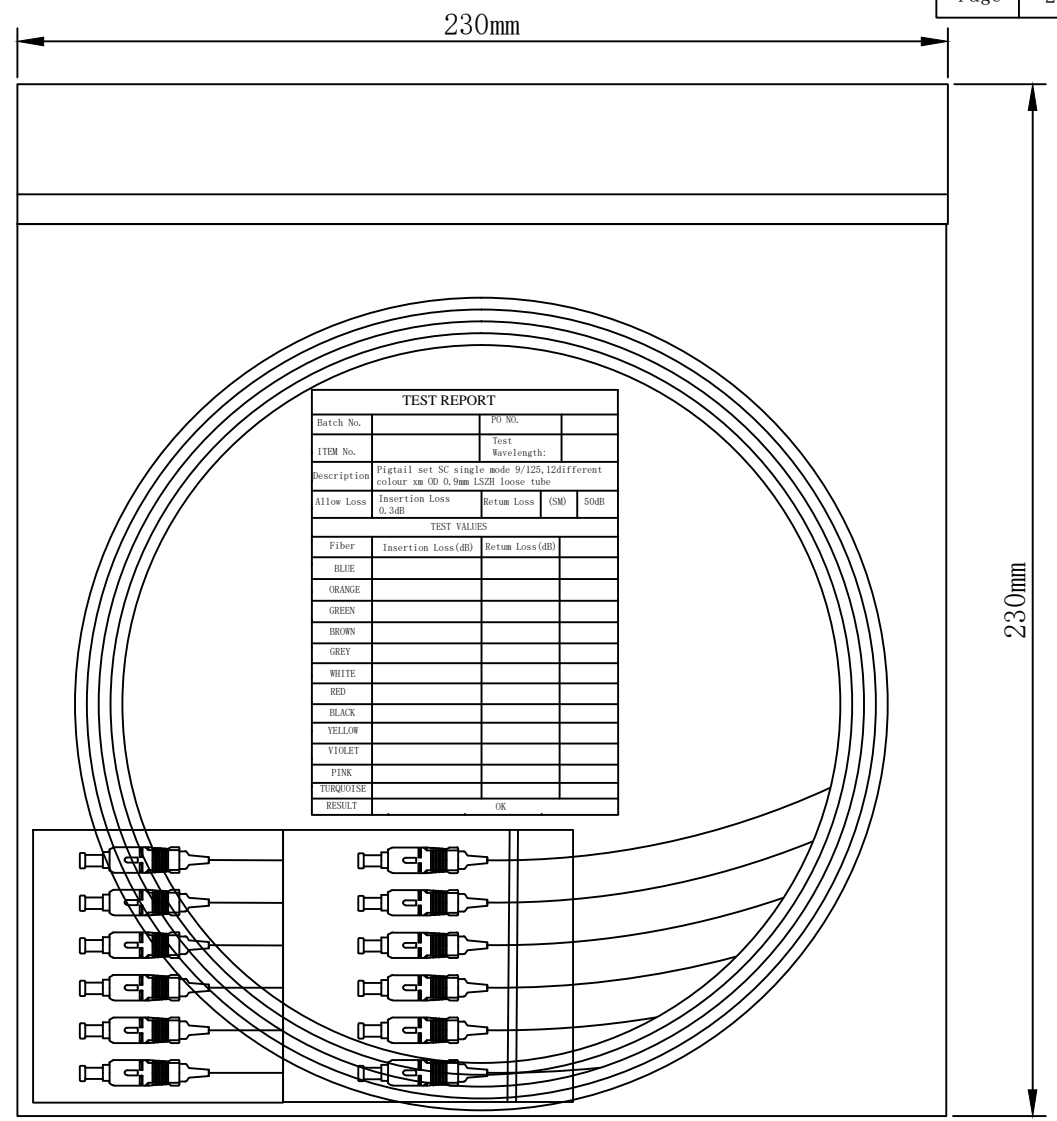
		2Direct Gmbh		ITEM NO.			
		PRODUCT NAME Pigtailset SC/UPC OM2 50/125 μm 12 different coulor		ITEM NO.		UNIT MM	
		NEW		2016.08.25		A	
BY		CHK		DRAWNBY		CHECKBY	
		REVISION RECORD MODIFICATIONS		APPOBY		DATE	
						2016.08.25	

TEST REPORT				
Batch No.		PO NO.		
ITEM No.		Test Wavelength:		
Description	Pigtail set SC OM2 Multi-Mode 50/125, 12 different colour xm OD 0.9mm LSZH loose tube			
Allow Loss	Insertion Loss 0.3dB	Return Loss	(MM)	N/A
TEST VALUES				
Fiber	Insertion Loss (dB)	Return Loss (dB)		
BLUE				
ORANGE				
GREEN				
BROWN				
GREY				
WHITE				
RED				
BLACK				
YELLOW				
VIOLET				
PINK				
TURQUOISE				
RESULT	OK			



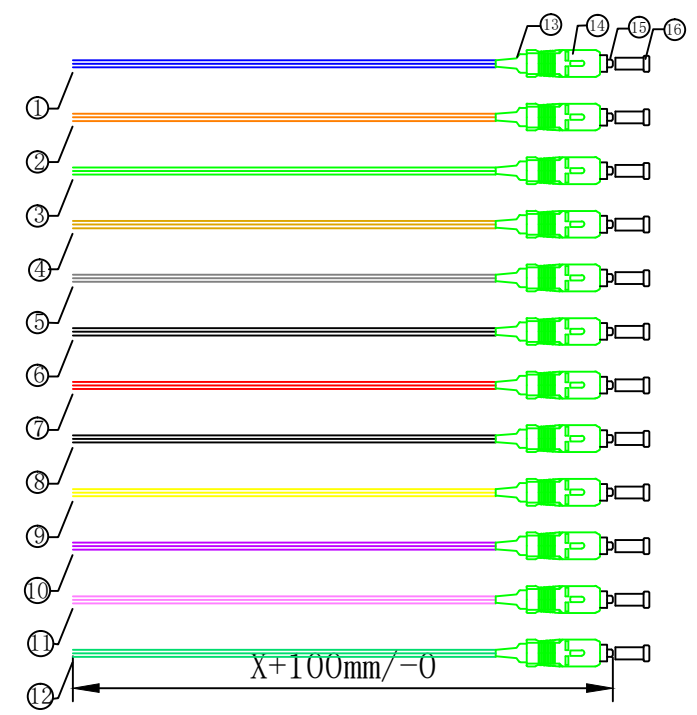
		2Direct GmbH		ITEM NO.			
PRODUCT NAME	Pigtailset SC/UPC OM2 50/125 μm 12 different colors			ITEM NO.	1	UNIT	MM
BY	CHK	NEW	2016.08.25	A	DRAWNBY	CHECKBY	APPOBY
		REVISION RECORD MODIFICATIONS	DATE	REV.			2016.08.25

TEST REPORT				
Batch No.		PO NO.		
ITEM No.		Test Wavelength:		
Description	Pigtail set SC single mode 9/125, 12 different colour xm OD 0.9mm LSZH loose tube			
Allow Loss	Insertion Loss 0.3dB	Return Loss	(SM)	50dB
TEST VALUES				
Fiber	Insertion Loss (dB)	Return Loss (dB)		
BLUE				
ORANGE				
GREEN				
BROWN				
GREY				
WHITE				
RED				
BLACK				
YELLOW				
VIOLET				
PINK				
TURQUOISE				
RESULT	OK			



		2Direct Gmbh		ITEM NO.			
		PRODUCT NAME Pigtailset SC/UPC 9/125 μm 12 different coulors		ITEM NO.		UNIT MM	
		NEW		2016. 08. 25		A	
BY	CHK	REVISION RECORD MODIFICATIONS		DATE	REV.	DRAWNBY	CHECKBY
						APPOBY	DATE
						2016. 08. 25	

NOTE:
 The primary coating and secondary coating
 have the same coulor
 ROHS 2.0 Compliant

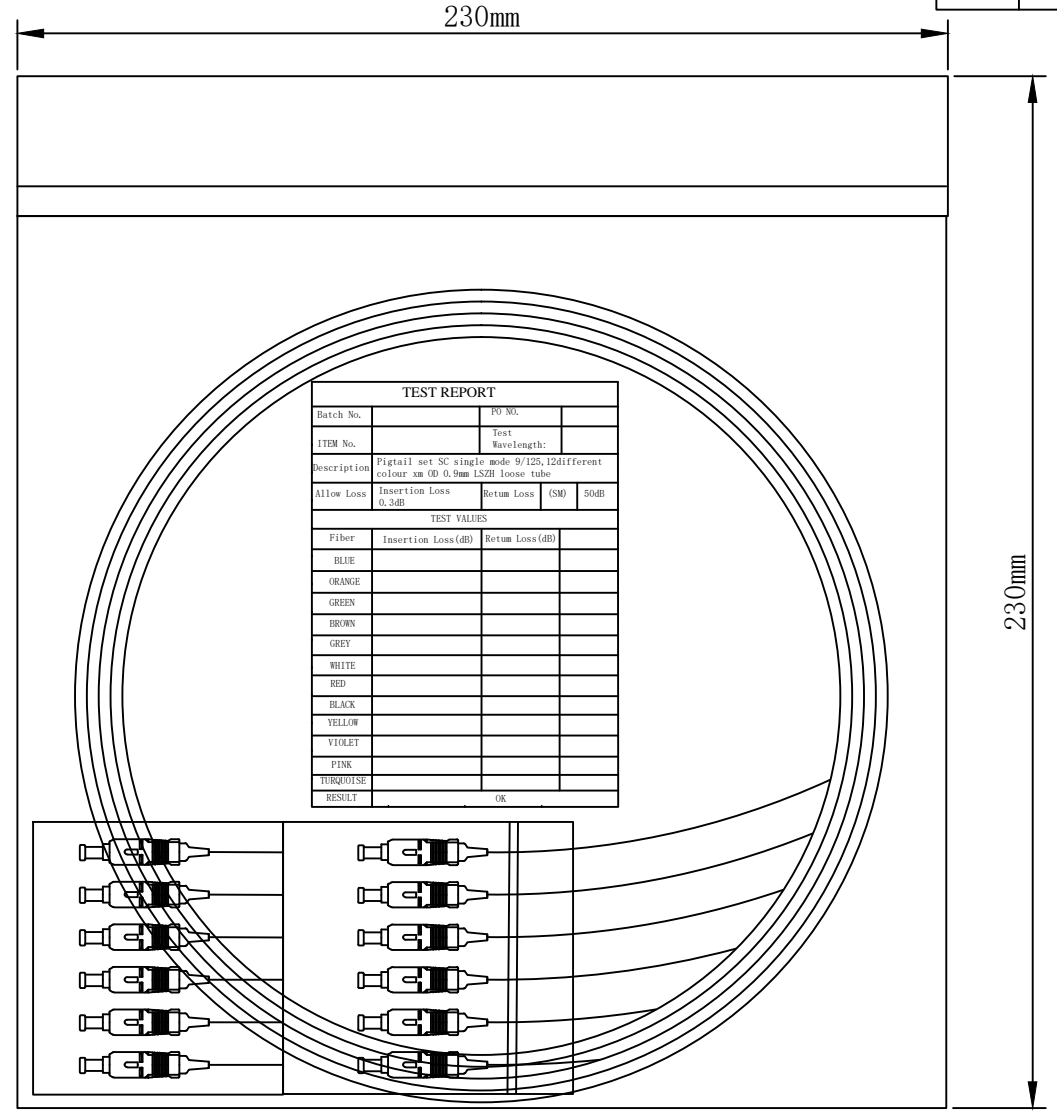


⑬	SC Transparent Dust Cap	12	
⑮	SC/APC 8° SM Ferrule 125-126um	12	
⑭	SC APC 0.9 Green Connector	12	
⑬	SC 0.9 Green Boot	12	
⑫	Fiber Cable LOOSE TUBE SM 9/125 0.9mm TURQUOISE LSZH	Xm	
⑪	Fiber Cable LOOSE TUBE SM 9/125 0.9mm PINK LSZH	Xm	
⑩	Fiber Cable LOOSE TUBE SM 9/125 0.9mm VIOLET LSZH	Xm	
⑨	Fiber Cable LOOSE TUBE SM 9/125 0.9mm YELLOW LSZH	Xm	
⑧	Fiber Cable LOOSE TUBE SM 9/125 0.9mm BLACK LSZH	Xm	
⑦	Fiber Cable LOOSE TUBE SM 9/125 0.9mm RED LSZH	Xm	
⑥	Fiber Cable LOOSE TUBE SM 9/125/125 0.9mm WHITE LSZH	Xm	
⑤	Fiber Cable LOOSE TUBE SM 9/125 0.9mm GREY LSZH	Xm	
④	Fiber Cable LOOSE TUBE SM 9/125 0.9mm BROWN LSZH	Xm	
③	Fiber Cable LOOSE TUBE SM 9/125 0.9mm GREEN LSZH	Xm	
②	Fiber Cable LOOSE TUBESM 9/125 0.9mm ORANGE LSZH	Xm	
①	Fiber Cable LOOSE TUBE SM 9/125 0.9mm BLUE LSZH	Xm	
NO	SPECIFICATION STANDARD	QT' Y	REMARK

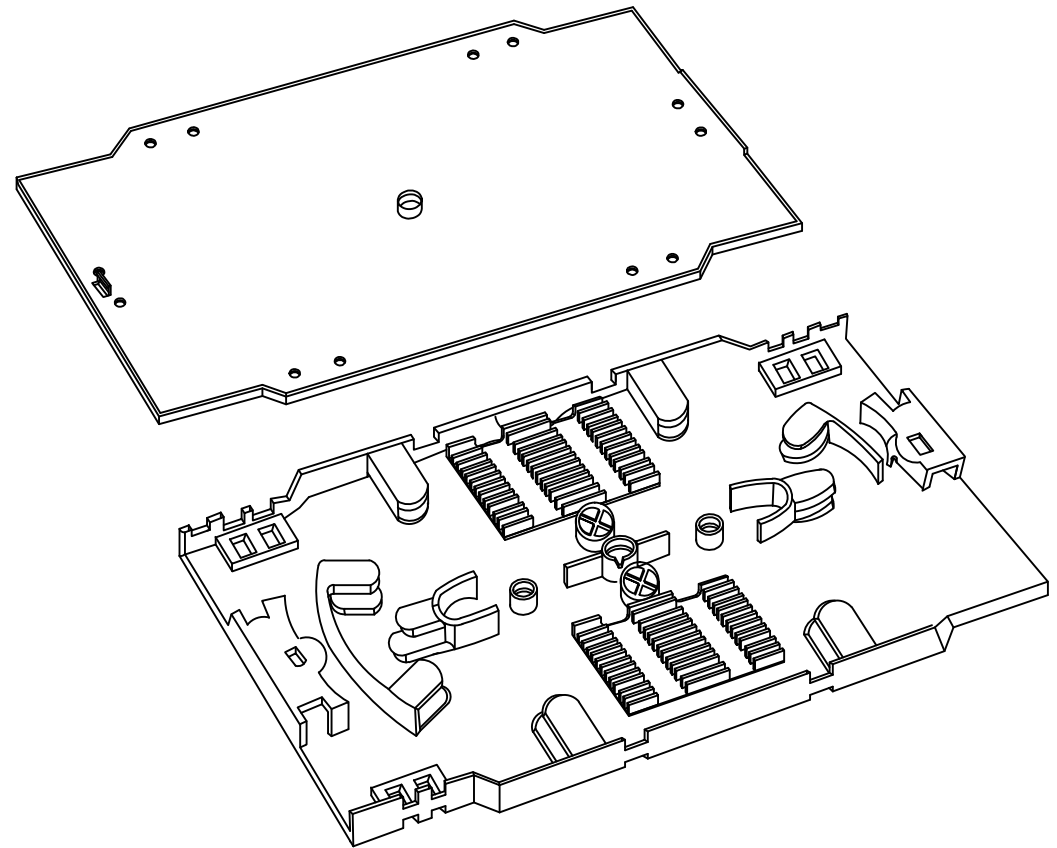
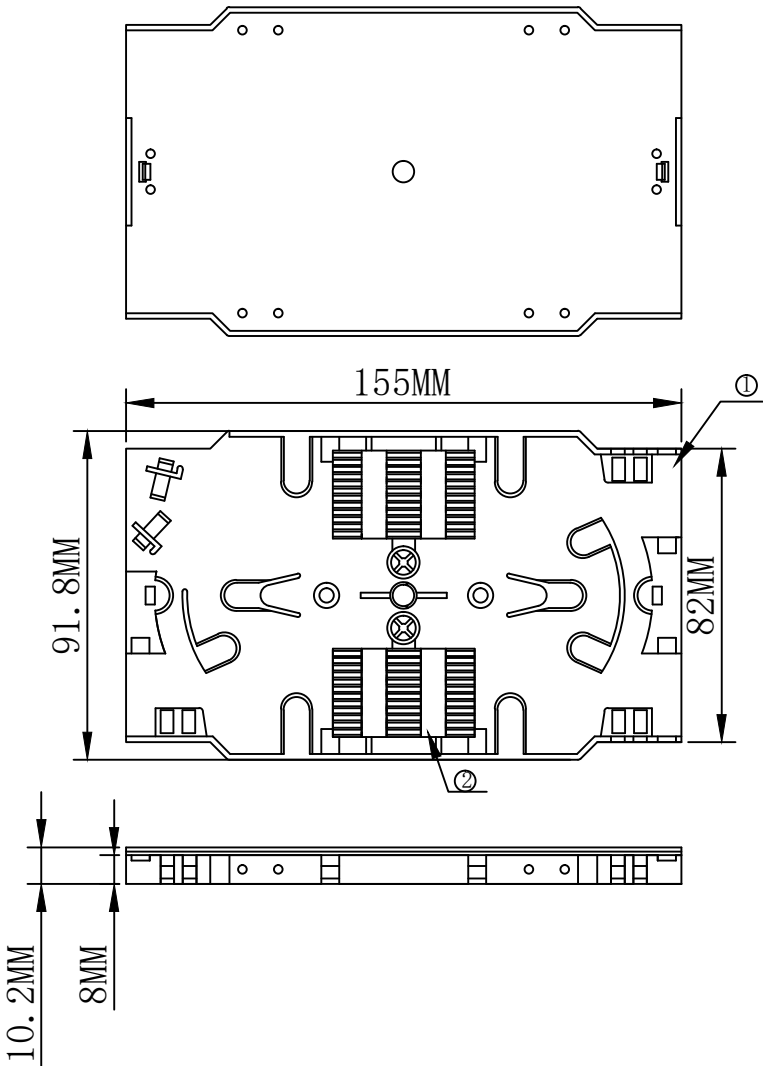
Type	Single-Mode
Insertion Loss	<=0.3dB
Return Loss	>=60dB
Test Wavelength	1310nm

		2Direct Gmbh		ITEM NO.			
PRODUCT NAME	Pigtailset SC/APC 9/125 μm 12 different coulors	ITEM NO.		UNIT	MM		
BY	CHK	DATE	REV.	DRAWNBY	CHECKBY	APPOBY	DATE
NEW		2016.08.25	A			2016.08.25	
REVISION RECORD MODIFICATIONS							

TEST REPORT				
Batch No.		PO NO.		
ITEM No.		Test Wavelength:		
Description	Pigtail set SC APC 9/125, 12 different colour xm OD 0.9mm LSZH loose tube			
Allow Loss	Insertion Loss 0.3dB	Return Loss	(APC)	60dB
TEST VALUES				
Fiber	Insertion Loss (dB)	Return Loss (dB)		
BLUE				
ORANGE				
GREEN				
BROWN				
GREY				
WHITE				
RED				
BLACK				
YELLOW				
VIOLET				
PINK				
TURQUOISE				
RESULT	OK			



		2Direct Gmbh		ITEM NO.			
PRODUCT NAME		Pigtailset SC/APC 9/125 μm 12 different coulors		ITEM NO.		UNIT MM	
NEW		2016. 08. 25		A		DATE	
BY	CHK	REVISION RECORD MODIFICATIONS		DRAWNBY	CHECKBY	APPOBY	2016. 08. 25

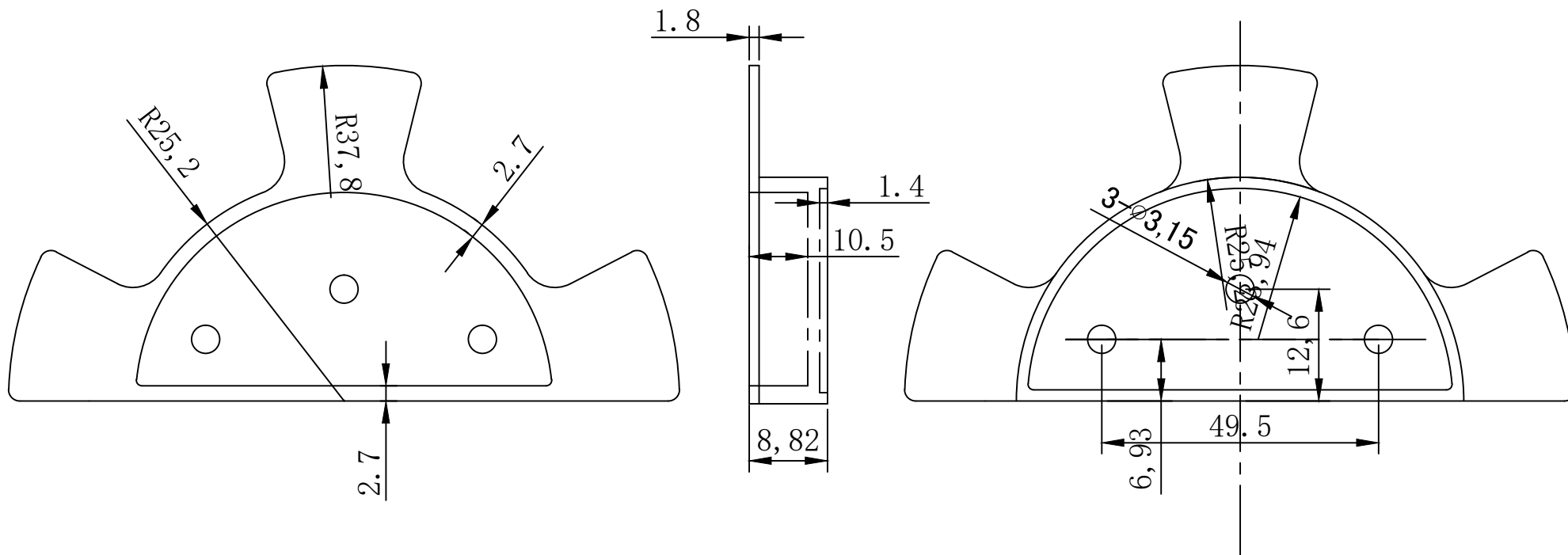


- with 2* 12 core splicing Holder ,black
- Material:Plastic (Non fire retardant)
- Color: beige
- RoHS 2.0 and Reach Compliant

Packing:1pcs/PE bag+label 1,100pcs/innet carton+outer carton+label 3

MATERIAL LIST:

②	Splic Holder	ABS/Black	2						
①	Splicing tray	24 cores splicing tray,ABS/Beige	1						
NO.	PARTS NAME	SPECIFICATION DESCRIPTION	QT'Y	REMARK	2Direct Gmbh		ITEM NO.	FB3001	
					PRODUCT NAME	Splicing tray with 2pcs of 12core holders	ITEM NO.	UNIT	MM
		NEW	2016.08.25	A	DRAWNBY	CHECKBY	APPOBY	DATE	
BY	CHK	REVISION RECORD MODIFICATIONS	DATE	REV.				2016.08.25	



Note:

1. COLOUR: ABS/GRAY
2. ROHS2.0 COMPLIANT
3. Accessory: Screw M3*8, Hex Nut M3*2.4

LogiLink Professional F12SS2/3/4

2Direct Gmbh		ITEM NO.		
PRODUCT NAME	Fibre cable management Spool - Grey	ITEM NO.		UNIT MM
BY	CHK	DATE	APPOBY	DATE
	REVISION RECORD MODIFICATIONS	2016. 08. 25		2016. 08. 25

		NEW	2016. 08. 25	A	DRAWNBY	CHECKBY	APPOBY	DATE
BY	CHK	REVISION RECORD MODIFICATIONS	DATE	REV.				2016. 08. 25