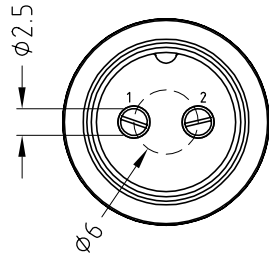
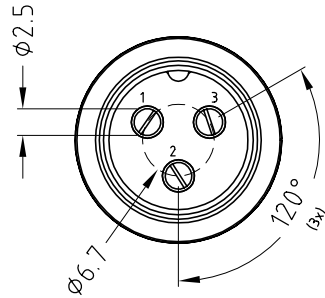


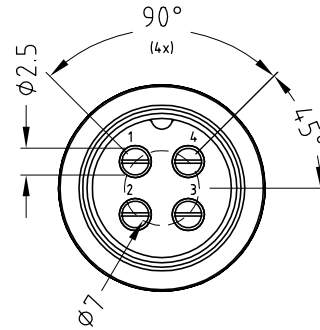
ISS.	AMEND	DATE
1	ISSUED	02/12/16
2	LENGTH NOTE	07/08/18



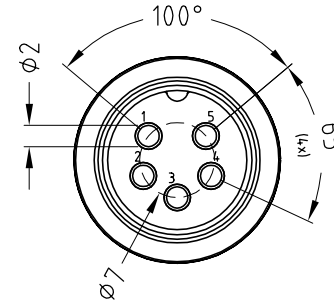
FC684202  
2 POLE



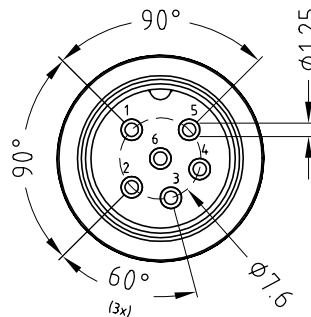
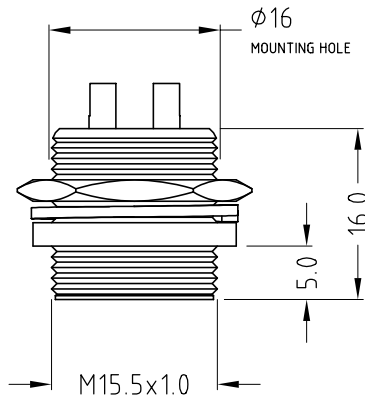
FC684203  
3 POLE



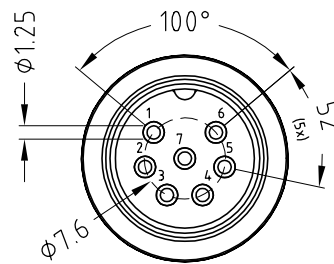
FC684204  
4 POLE



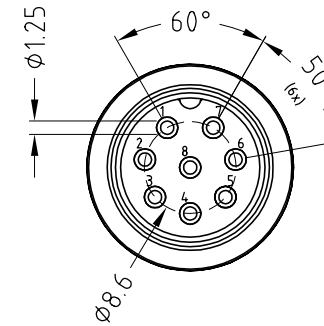
FC684205  
5 POLE



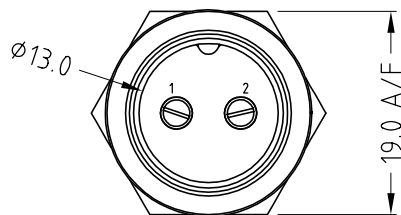
FC684206  
6 POLE



FC684207  
7 POLE

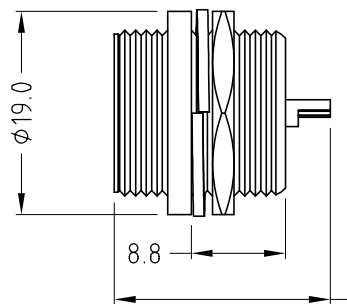


FC684208  
8 POLE

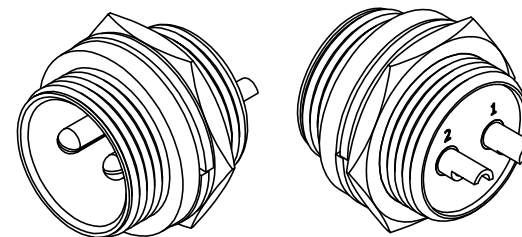
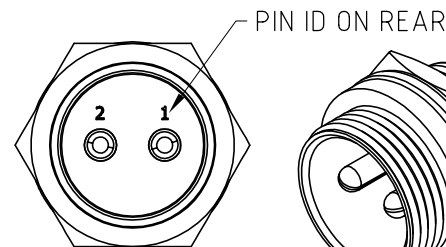


**NOTES**

- 1) Rated 1A / Pin - 48V max.
- 2) 3D CAD available on request



20.0 (2/3/4/5 POLE)  
18.7 (6/7/8 POLE)



**RoHS**  
COMPLIANT

**TOLERANCE**  
NO DEC. PLACE ±  
1 DEC. PLACE ±  
2 DEC. PLACE ±  
HOLE Ø ±  
ANGLES ±  
UNLESS OTHERWISE STATED

DO NOT SCALE

**Cliff Electronic Components Ltd.**  
76 Holmethorpe Avenue, Holmethorpe Industrial Estate,  
Redhill, Surrey, RH1 2PF, England, UK  
Tel: 01737-771375 Fax: 01737-766012 Website: www.cliffuk.co.uk

DIMENSIONS IN MILLIMETERS UNLESS OTHERWISE STATED. WORK TO DIMENSIONS. REMOVE ALL BURRS. IF IN DOUBT ASK.

3rd ANGLE PROJECTION:

MATERIAL: BRASS / MAZAK  
FINISH: CLEAN - TIN / NICKEL PLATE

TITLE: ZC CONNECTOR - SOCKET (2-8 POLE)

THE CONTENTS OF THIS DOCUMENT MUST NOT BE COPIED OR DISCLOSED TO A 3rd PARTY WITHOUT WRITTEN PERMISSION OF CLIFF UK. © 2016

DRAWN: T.J.O.

APPROVED: D.P.J.

DRWG. No. **FC684202**

FORM: A4DRWGH