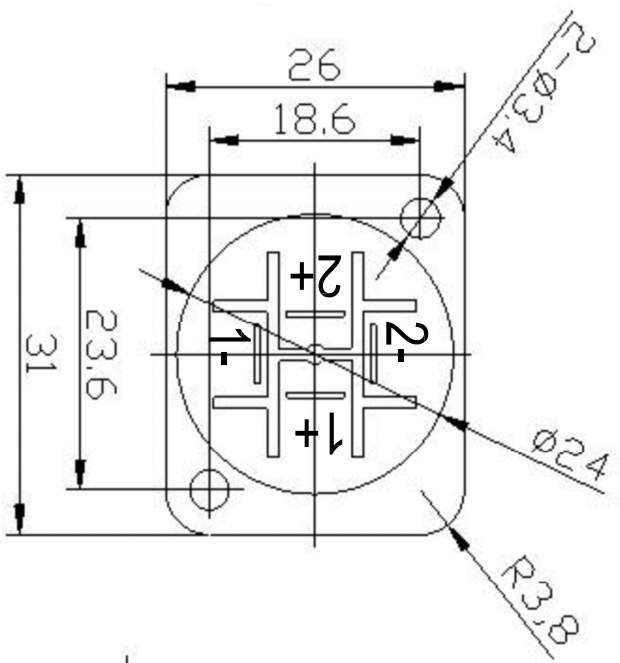
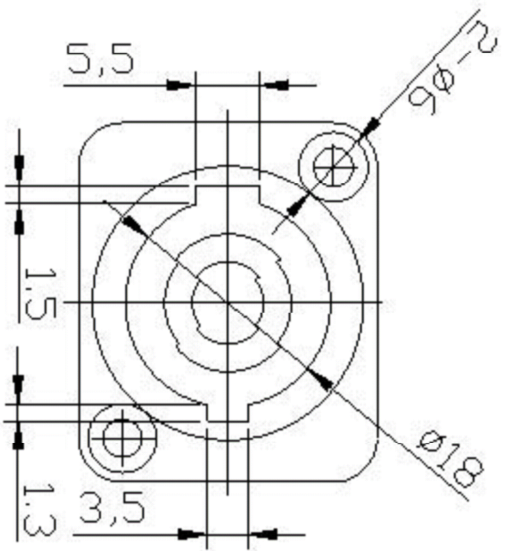
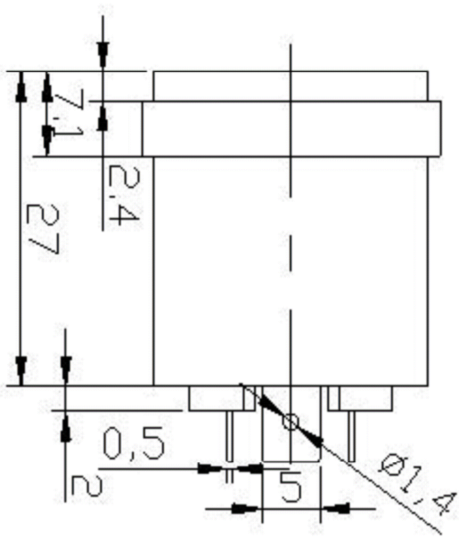


ISS.	AMEND	DATE
1	1st DRAWING	20/07/11



PANEL CUTOUT FOR REAR OF  
PANEL MOUNTING Ø24min



PANEL CUTOUT FOR FRONT  
MOUNTING Ø24min

NOTE: 1st ANGLE PROJECTION

**Cliff Electronic Components Ltd.**

76 Holmehope Avenue, Holmehope Industrial Estate,  
Redhill, Surrey, RH1 2PF, England, UK  
Tel: 01737-771375 Fax: 01737-766012 Website: www.cliffuk.co.uk

DIMENSIONS IN MILLIMETERS UNLESS OTHERWISE STATED. WORK TO DIMENSIONS. REMOVE ALL BURRS. IF IN DOUBT ASK.

MATERIAL: COMPOSITE  
FINISH: CLEAN - BLACK  
DRAWN: T.J.O. APPROVED: D.P.J.

1st ANGLE PROJECTION:

DO NOT SCALE  
TITLE: CLIFFCON-S 4 POLE SKT SMALL SQR  
DRWG. No. FM1270  
FORM: A4DRWGH

**ROHS**  
**COMPLIANT**

TOLERANCE  
NO DEC. PLACE ±  
1 DEC. PLACE ±  
2 DEC. PLACE ±  
HOLE Ø ±  
ANGLES ±  
UNLESS OTHERWISE STATED

THE CONTENTS OF THIS DOCUMENT MUST NOT BE COPIED OR DISCLOSED TO A 3rd PARTY WITHOUT WRITTEN PERMISSION OF CLIFF UK. © 2011