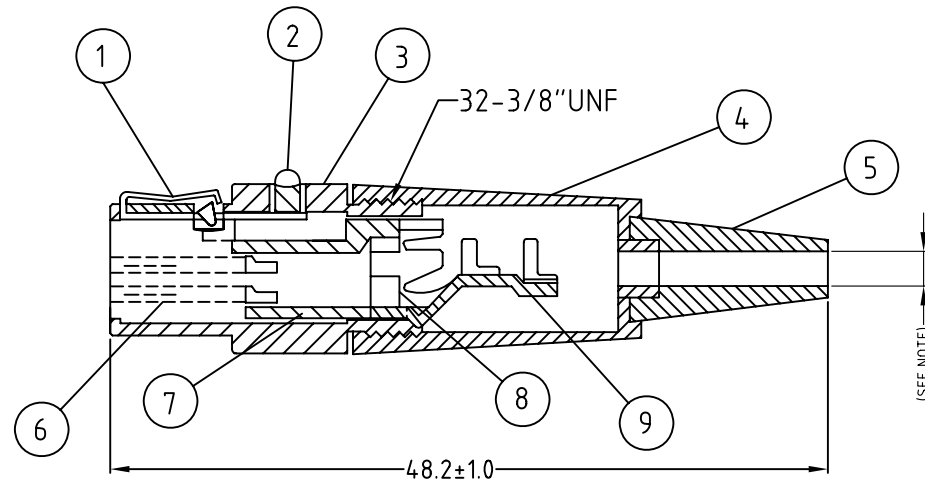


No. CONTACT	PART No.	CABLE ENTRY (mm)
3 POLE	AG3F	3.5 DIAM GROMMET
4 POLE	AG4F	3.5 DIAM GROMMET
5 POLE	AG5F	3.5 DIAM GROMMET
6 POLE	AG6F	3.5 DIAM GROMMET



A-A SECTION

NOTE: SEE TABLE FOR STANDARD CABLE ENTRY. CONTACT FACTORY FOR ALTERNATIVE

ITEM	MATERIAL
1	SUS(AISI-301)
2	ABS-BLACK
3	BRASS-NICKEL PLATED
4	ABS-BLACK
5	PVC-BLACK
6	PHOSPHOR BRONZE-GOLD PLATED
7	PPS-BLACK
8	ABS-BLACK
9	BRONZE-NICKEL PLATED

UNLESS OTHERWISE SPECIFIED TOLERANCE TO BE	
LINEAR	ANGULAR
X ± 0.5	X° ± 1°
X,X ± 0.1	X°X' ± 30'
X,X ± 0.05	X°X'X" ± 15"

THIS DOCUMENT IS THE PROPERTY OF AMPHENOL AUSTRALIA PTY. LTD.. NO PART THEREOF MAY BE REPRODUCED AND USED WITHOUT THE PRIOR WRITTEN CONSENT OF THE OWNER			
CAD FILE: 55010459000110	DRN: M.N.H	DATE: 15-06-07	TITLE: MINI XLR LINE FEMALE CUSTOMER DRAWING
MATL: SEE NOTES	CKD: M.H.	DATE: 19-01-09	
DO NOT SCALE	FINISH: SEE NOTES	APP'D: M.H.	DATE: 19-01-09
DIMENSIONS IN MILLIMETRES		SCALE: NTS	PART No: REFER TO CHART

1	CHANGE PART NUMBER FROM ENGINEERING 55010459-000 TO CATALOGUE AG3F	M.H	19-01-09	----
0	FIRST ISSUE	M.N.H	15-06-07	----
REV.	CHANGE DETAILS	BY	DATE	CHG/No
Amphenol		Amphenol Australia Pty.Ltd, 2 Freeways Blvd, Keysborough, Vic.3173		
DRAWING NO. 55010459-000-1		SHEET 1 OF 1		