

FC6141 SHOWN

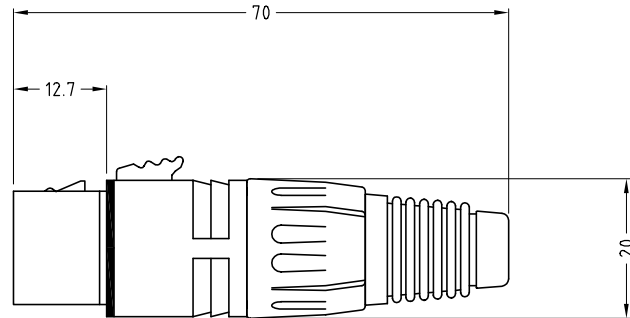


CONTACTS
(BRASS/PBT)

CABLE CLAMP
(BRASS)

ALTERNATIVE
CABLE CLAMP

PARTS ARE KEYS TO
ENSURE CORRECT
ORIENTATION.



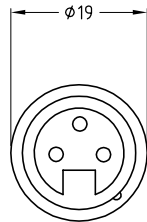
SHELL
(ZINC BLACK / RUBBER)

CONTACT INSERT
(PBT/BRASS/
STAINLESS STEEL)

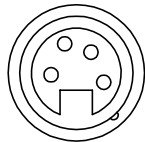
CABLE CLAMP
(ACETAL)

COVER
(PA/PP)

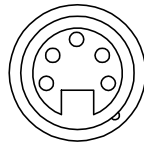
STRAIN RELIEF
(PVC OR RUBBER)



3APF/BM
FC6141



4APF/BM
FC6151



5APF/BM
FC6166

Part No.	MODEL	MAX CURRENT @25°C (A)	MAX CABLE C (mm ²)	C (Pf)	CONTACT RESISTANCE (mΩ)	INSULATION RESISTANCE (MΩ)	WITHSTAND VOLTAGE (V)
FC6141	3APF/BM	16	2.5	<4	<5	>5000	1400
FC6151	4APF/BM	10	1.0	<4	<7	>5000	1400
FC6166	5APF/BM	7.5	1.0	<4	<7	>5000	1400

ISS.	AMEND	DATE
1	ISSUED	11/05/18

RoHS
COMPLIANT

TOLERANCE
NO DEC. PLACE ±
1 DEC. PLACE ±
2 DEC. PLACE ±
HOLE Ø ±
ANGLES ±
UNLESS OTHERWISE STATED

Cliff Electronic Components Ltd.

76 Holmethorpe Avenue, Holmethorpe Industrial Estate,
Redhill, Surrey, RH1 2PF, England, UK
Tel: 01737-771375 Fax: 01737-766012 Website: www.cliffuk.co.uk

THE CONTENTS OF THIS DOCUMENT MUST NOT BE COPIED OR DISCLOSED TO A 3rd PARTY WITHOUT WRITTEN PERMISSION OF CLIFF UK. © 2018

DIMENSIONS IN MILLIMETERS UNLESS OTHERWISE STATED. WORK TO DIMENSIONS. REMOVE ALL BURRS. IF IN DOUBT ASK.

3rd ANGLE PROJECTION:

DO NOT SCALE

MATERIAL: COMPOSITE / CONTACTS SILVER PLATED

TITLE: BLACK METAL XLR PLUG (FEMALE) xAPF/BM

FINISH: CLEAN

DRAWN: T.J.O.

APPROVED: D.P.J.

DRWG. No. **FC6141**

FORM: A4DRWGH