

# CLIFF

# COMBI-JACK

## COMBINED JACK / XLR IN ONE BODY



The hybrid Jack / XLR offers space saving opportunities in designs where jacks and XLR may be not used simultaneously, or where space available is inadequate to use separate components.

### FEATURES:

- Panel mounting by self tap screws.
- XLR with retention spring.
- Optional push latch for all models.
- Optional grounding switch on XLR.
- Optional mono unswitched jack.
- Optional stereo unswitched jack.
- Optional stereo switched jack.
- Optional horizontal PCB mounting.
- Optional vertical PCB mounting.
- Optional solder tag wiring.
- UL94 Approved materials.

### SPECIFICATION - XLR

Insertion force : 0.3~4.0 kgf  
Contact Resistance:  
Initial: Max 30mΩ

### SPECIFICATION - JACK SOCKET

Insertion force : 0.3~3.0 kgf  
Contact Resistance:  
Initial: Max 30mΩ

### Cliff Electronic Components, Ltd.

76 Holmethorpe Avenue, Holmethorpe Ind. Est.

Redhill, Surrey RH1 2PF. England

Tel: +44 (0) 1737 771375

Fax: +44 (0) 1737 766012

Email: sales@cliffuk.co.uk

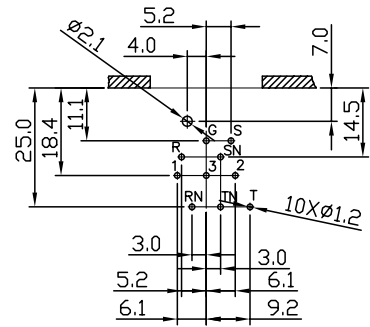
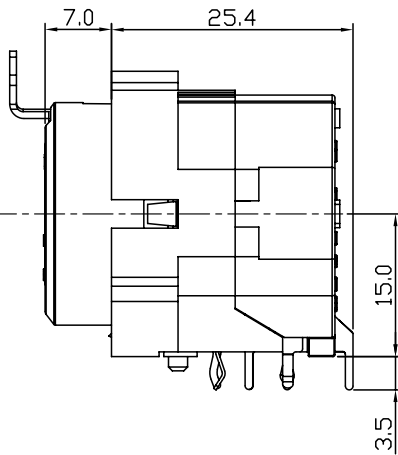
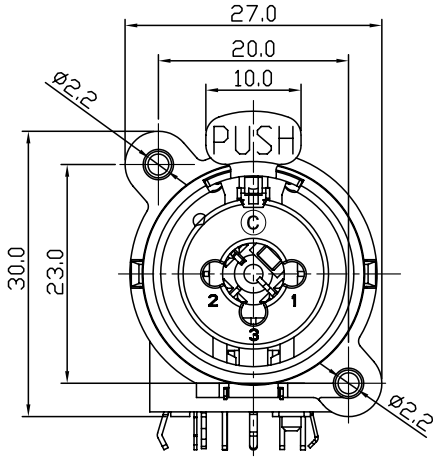


Visit us online at:

[www.cliffuk.co.uk](http://www.cliffuk.co.uk)

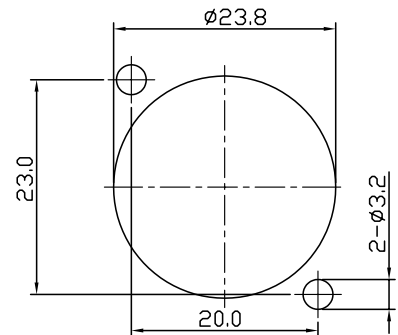
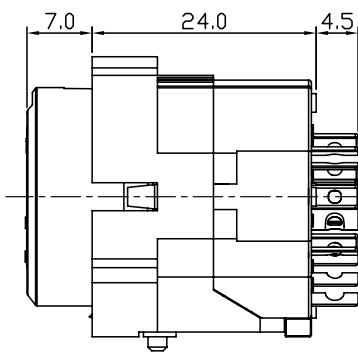
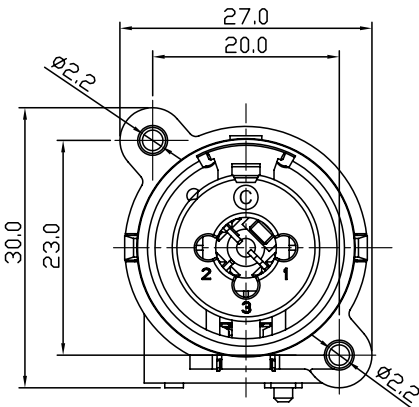
# GENERAL DIMENSIONS

## 90° PCB WITH LATCH



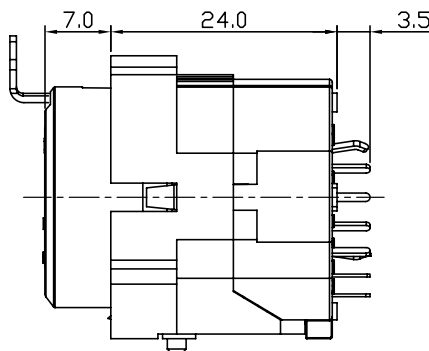
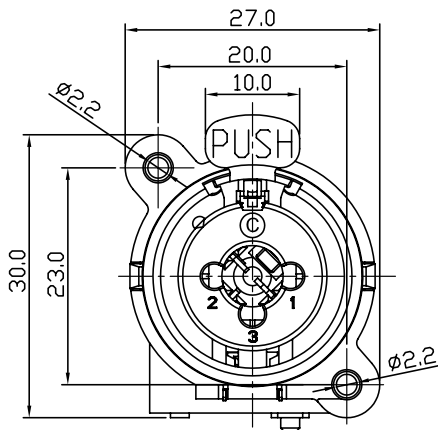
PCB LAYOUT  
(COMPONENT SIDE)  
PINOUTS VARY WITH MODEL

## SOLDER TAG TYPE

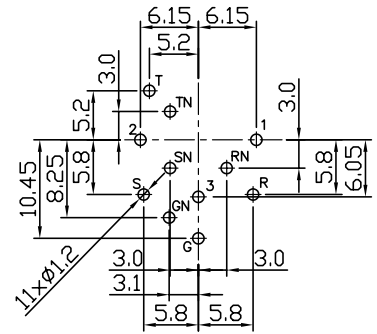


PANEL CUTOUT  
(FRONT SIDE)  
SAME FOR ALL MODELS

## VERTICAL PCB WITH LATCH

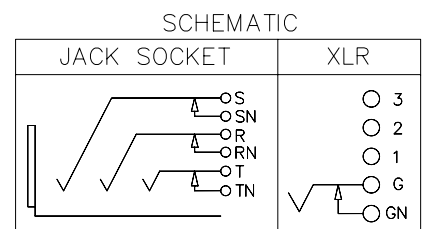


PINOUTS VARY WITH MODEL



PCB LAYOUT  
(TOP VIEW)

VARIANTS	STEREO JACK	STEREO JACK
	UNSCREENED	SCREENED
<b>90° PCB</b>		
WITHOUT XLR GROUND SCREEN	FC2410	FC2420
WITH XLR GROUND SCREEN		FC2430
<b>VERTICAL PCB</b>		
WITHOUT XLR GROUND SCREEN	FC2440	FC2450
WITH XLR GROUND SCREEN		FC2460
<b>SOLDER TAGS</b>		
WITHOUT XLR GROUND SCREEN	FC2470	FC2480
WITH XLR GROUND SCREEN		FC2490



PINOUTS VARY WITH MODEL

For Push latch version - Add L to P/No. e.g. FC2410L

For further information, contact [sales@cliffuk.co.uk](mailto:sales@cliffuk.co.uk)