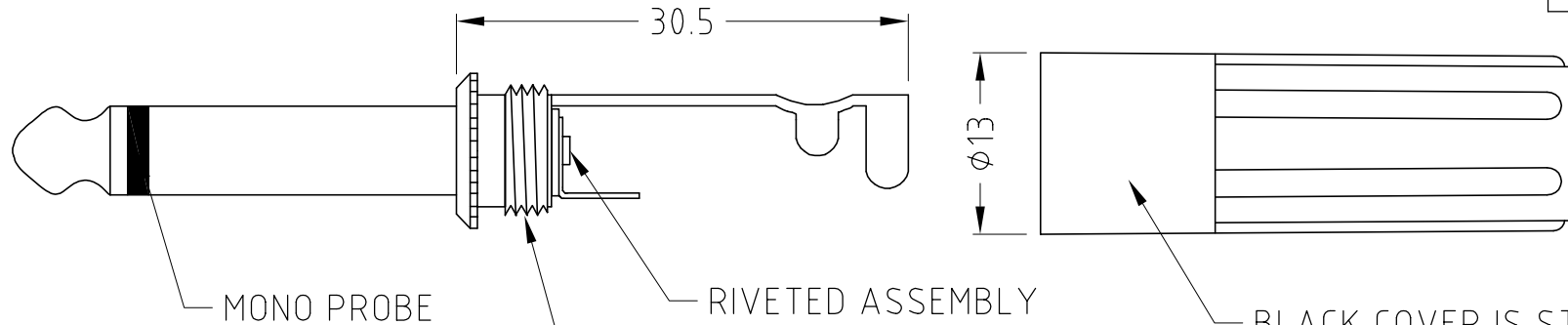
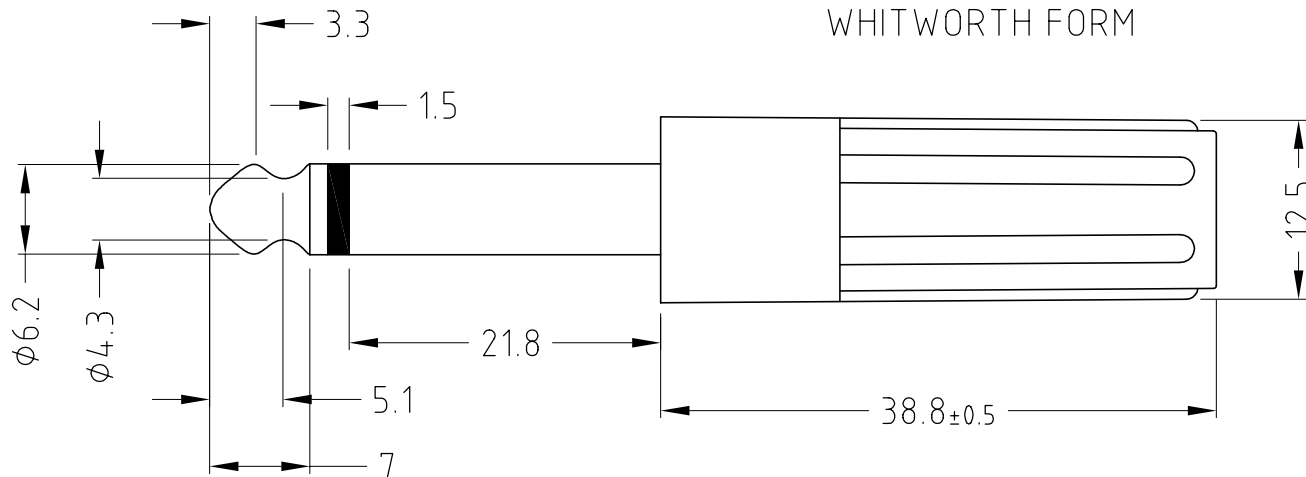


ISS.	AMEND	DATE
1	1st DRAWN	19/03/02
2	COLOUR VARIANTS	27/02/07
3	GREY VARIANT ADD	29/05/07
4	GOLD FM1012G ADD	29/01/10
5	COLOUR COVERS DEL	30/10/13

PART No.	COVER	PLATING
FM1012	BLACK (STD)	NICKEL
FM1012G	BLACK (STD)	GOLD



BLACK COVER IS STANDARD,  
7x COLOURS AVAILABLE  
SEE DRAWING: FM1012SA1



<b>RoHS</b> COMPLIANT
<b>TOLERANCE</b> NO DEC. PLACE ± 0.50 1 DEC. PLACE ± 0.20 2 DEC. PLACE ± 0.10 HOLE Ø ± 0.10 ANGLES ± 1/2° UNLESS OTHERWISE STATED

**Cliff Electronic Components Ltd.**

DIMENSIONS IN MILLIMETERS UNLESS OTHERWISE STATED. WORK TO DIMENSIONS. REMOVE ALL BURRS. IF IN DOUBT ASK.

ANGLE PROJECTION:

DO NOT SCALE

76 Holmethorpe Avenue, Holmethorpe Industrial Estate,  
Redhill, Surrey, RH1 2PF, England, UK  
Tel: 01737-771375 Fax: 01737-766012 Website: www.cliffuk.co.uk

MATERIAL: ABS / BRASS / STEEL / PHENOLIC  
FINISH: AS MOULDED / NICKEL OR GOLD PLATED

TITLE: 1/4" (6.35mm) MONO UNSCREENED JACK PLUG P2C

THE CONTENTS OF THIS DOCUMENT MUST NOT BE COPIED OR DISCLOSED TO A 3rd PARTY WITHOUT WRITTEN PERMISSION OF CLIFF UK. © 2002

DRAWN: C.A.M.J. APPROVED: R.W.T.

DRWG. No. **FM1012** FORM: A4DRWGH