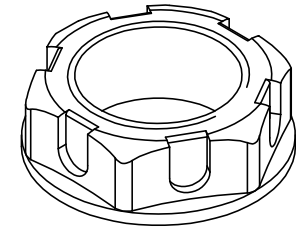
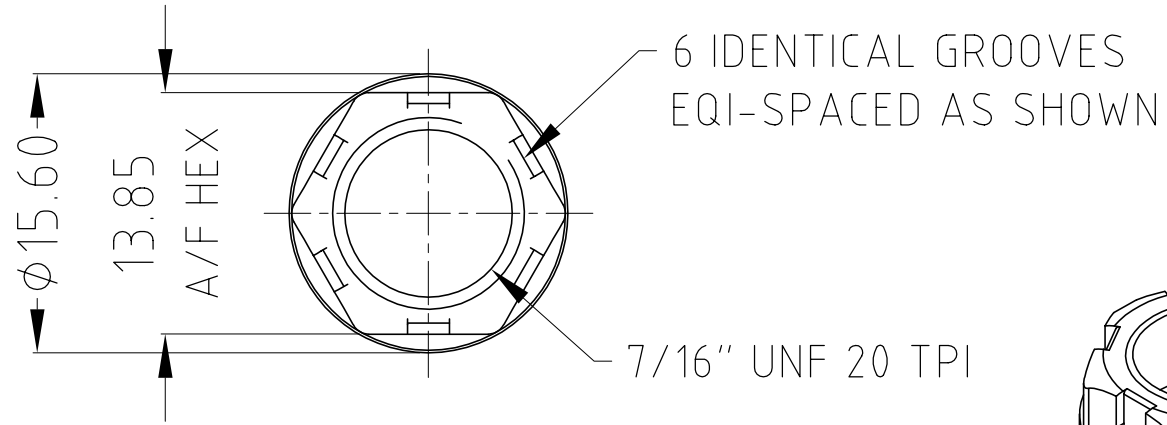
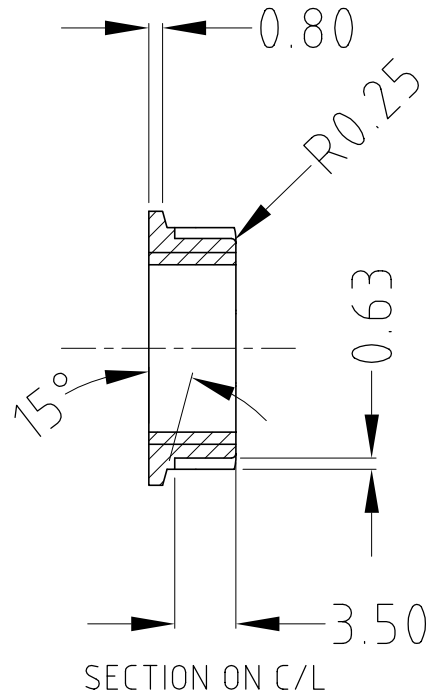
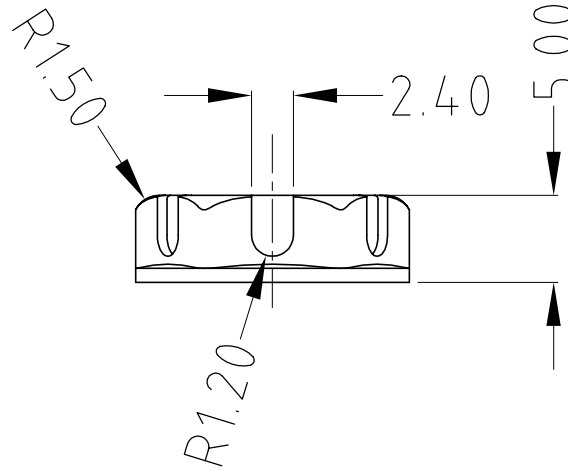


ISS.	AMEND	DATE
1	WAS 157J-15	03/12/97
2	ADD COLOURS+UPDATE	29/03/17



ISOMETRIC VIEW

PART No.	COLOUR
CL1406	BLACK
CL1406G	GREEN
CL1406L	BLUE
CL1406R	RED
CL1406W	WHITE
CL1406Y	YELLOW



RoHS ✓ COMPLIANT
TOLERANCE
NO DEC. PLACE ± 0.50
1 DEC. PLACE ± 0.20
2 DEC. PLACE ± 0.10
HOLE Ø ± 0.10
ANGLES ± 1/2°
UNLESS OTHERWISE STATED

Cliff Electronic Components Ltd.

76 Holmehorpe Avenue, Holmehorpe Industrial Estate,
Redhill, Surrey, RH1 2PF, England, UK
Tel: 01737-771375 Fax: 01737-766012 Website: www.cliffuk.co.uk

DIMENSIONS IN MILLIMETERS UNLESS OTHERWISE STATED. WORK TO DIMENSIONS. REMOVE ALL BURRS. IF IN DOUBT ASK.

3rd ANGLE PROJECTION:

DO NOT SCALE

MATERIAL: NYLON 6 (BLACK)

TITLE: S1 PLASTIC NUT (7/16" UNF 20 TPI)

FINISH: LIGHT SPARK 27 VDI

DRAWN: C.A.M.J.

APPROVED: R.W.T.

DRWG. No. **CL1406**

FORM: A4DRWGH

THE CONTENTS OF THIS DOCUMENT MUST NOT BE COPIED OR DISCLOSED TO A 3rd PARTY WITHOUT WRITTEN PERMISSION OF CLIFF UK. © 1997