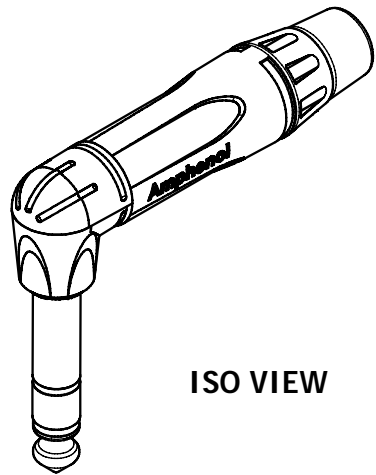
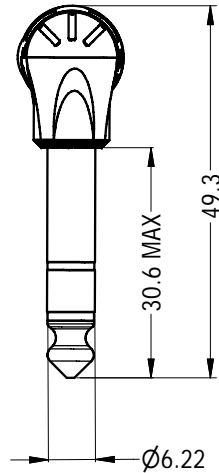
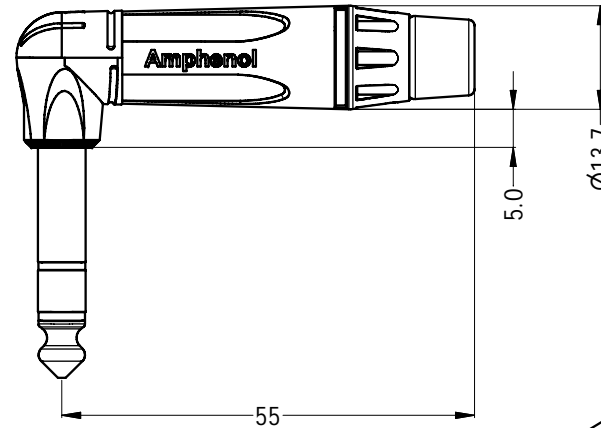
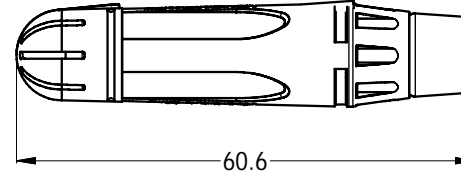


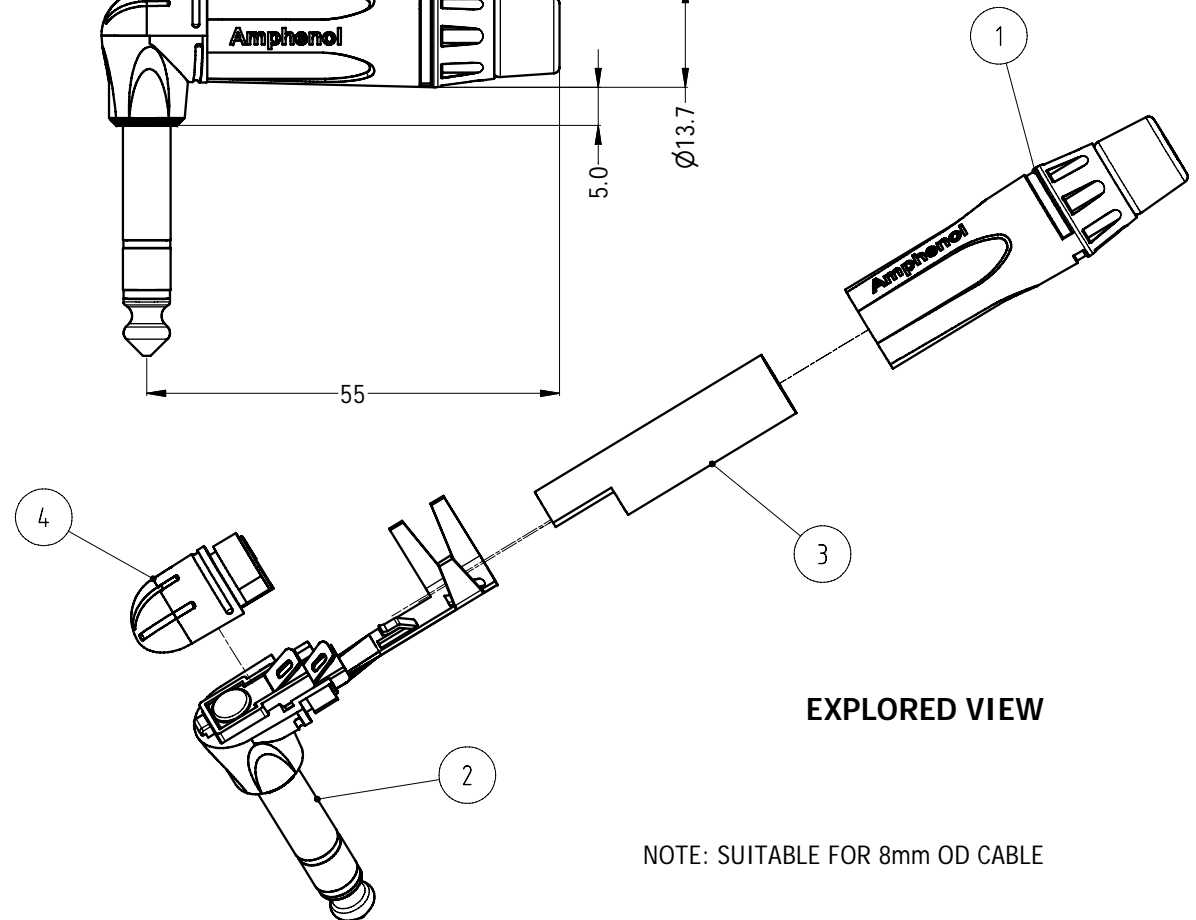
LEGEND  = KEY PRODUCT CHARACTERISTICS

REVISION HISTORY

| REV | DESCRIPTION | DATE | BY | ECN |
|-----|-------------|------------|-----|------|
| 0 | FIRST ISSUE | 10/12/2010 | M.H | 8983 |



ISO VIEW



EXPLORED VIEW

| ITEM | PART NUMBER | DESCRIPTION | QTY |
|------|------------------|---------------------------------------|-----|
| 4 | 50300105-x21 | RA DIECAST CAP NICKEL/BLACK FINISH | 1 |
| 3 | 51270031-521 | RA INSULATE PVC TUBE CLEAR | 1 |
| 2 | 50310044-x30 | RA STEREO INSERT ASSEMBLY NICKEL/GOLD | 1 |
| 1 | 53490006-331/431 | DIECAST SHELL NICKEL/BLACK FINISH | 1 |

Parts List

| PART NUMBER | | |
|-------------|--------------|---------------------------|
| PART NUMBER | SHELL FINISH | CONTACT FINISH |
| ACJS-TN | NICKEL | NICKEL RING, SLEEVE & TIP |
| ACJS-TN-AU | NICKEL | GOLD RING, SLEEVE & TIP |
| ACJS-TB | BLACK | NICKEL RING, SLEEVE & TIP |
| ACJS-TB-AU | BLACK | GOLD RING, SLEEVE & TIP |

NOTE: SUITABLE FOR 8mm OD CABLE

| | | | | | |
|--|-------------|---|------------------------|----------------|---|
| UNLESS OTHERWISE SPECIFIED TOLERANCE TO BE | | THIS DOCUMENT IS THE PROPERTY OF AMPHENOL AUSTRALIA PTY. LTD. NO PART THEREOF MAY BE REPRODUCED AND USED WITHOUT THE PRIOR WRITTEN CONSENT OF THE OWNER | | | |
| LINER | ANGULAR | MATERIAL: | DRN: T.Z | DATE: 10-12-10 | TITLE: 1/4" STEREO PHONE RA PLUG M-SERIES II CUSTOMER DRAWING |
| X ± 0.5 | X' ± 1 | SEE PARTS LIST & TABLE | CKD: M.H | DATE: 10-12-10 | |
| X.X ± 0.25 | X.X' ± 30' | FINISH: SEE TABLE | APP'D: P.M | DATE: 10-12-10 | |
| X.XX ± 0.1 | X.XX' ± 15' | DO NOT SCALE | SCALE: 2:1 | SIZE: A4 | PART No: SEE TABLE |
| BREAK ALL SHARP EDGES AND REMOVE ALL BURRS | | DIMENSIONS IN MILLIMETRES | THIRD ANGLE PROJECTION | SCALE: 2:1 | DRAWING NO. 55010753-000-1 |

Amphenol Amphenol Australia Pty.Ltd, 2 Fiveways Blvd, Keysborough, VIC 3173

| | |
|--------------------------|---------------------|
| CAD FILE: 55010753000120 | SHEET 1/2 |
|--------------------------|---------------------|