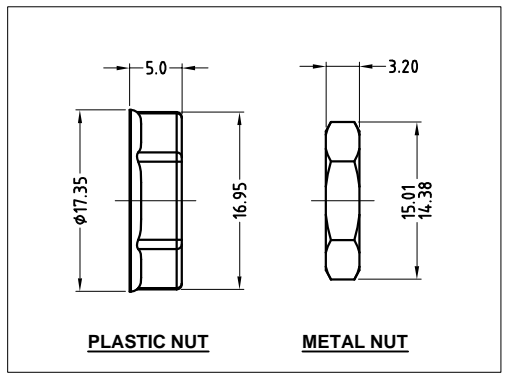
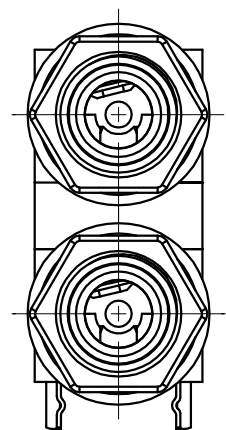
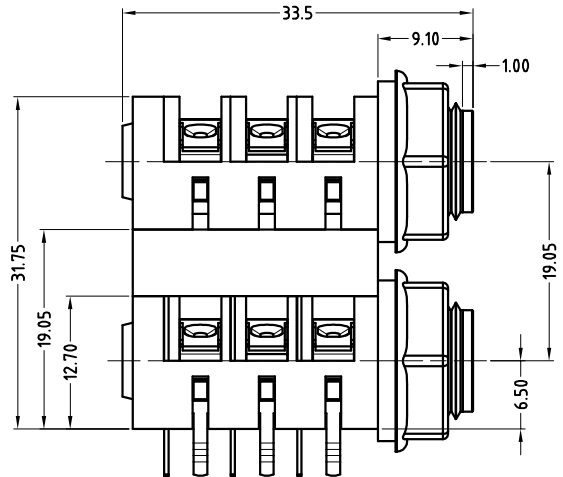
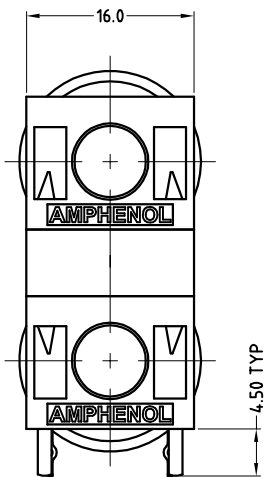
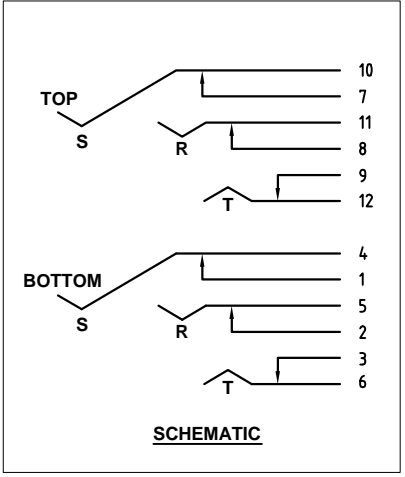


ISO VIEW
SCALE 1:1

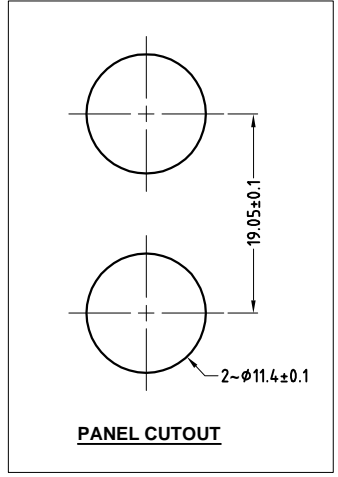


PLASTIC NUT

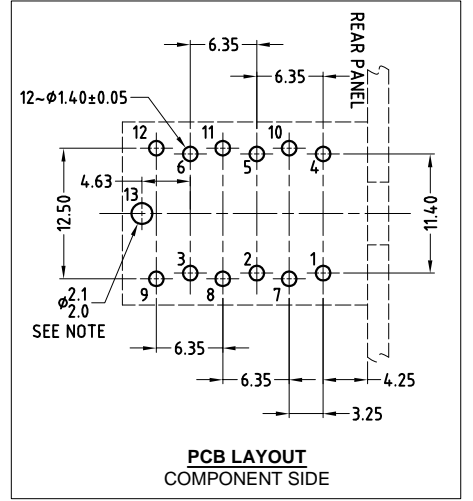
METAL NUT



SCHEMATIC



PANEL CUTOUT



**PCB LAYOUT
COMPONENT SIDE**

CATALOGUE P/N	ASSEMBLY P/N	NUT OPTIONS
ACJS-PHD	55010156-502	PLASTIC
ACJS-MHD	55010156-302	METAL

NOTE: OPTIONAL MOUNTING HOLE FOR SELF-TAPPING M2 SCREW

UNLESS OTHERWISE SPECIFIED TOLERANCE TO BE		THIS DOCUMENT IS THE PROPERTY OF AMPHENOL AUSTRALIA PTY. LTD. NO PART THEREOF MAY BE REPRODUCED AND USED WITHOUT THE PRIOR WRITTEN CONSENT OF THE OWNER			
LINEAR	ANGULAR	CAD FILE:	DRN:	DATE:	
X ± 0.5	X° ± 1°	55010156502222	L.V	18-06-02	
X.X ± 0.1	X°X' ± 30'	MATL: REFER TO COMPONENTS	CKD: M.N.H	DATE: 17-05-06	
X.XX ± 0.05	X°X'X" ± 15"	FINISH: REFER TO COMPONENTS	APP'D: P.M	DATE: 17-05-06	
BREAK ALL SHARP EDGES AND REMOVE ALL BURRS					
DO NOT SCALE					
DIMENSIONS IN MILLIMETRES		THIRD ANGLE PROJECTION		SCALE: 2:1 UOS	PART No: REFER TO CHART

2	CHANGE PLASTIC NUT P/N: 52170018-531 TO P/N: 52170032-531 & CORRECT SCHEMATIC DIAGRAM	L.V	31-01-05	8333
1	UPDATE TO COMPLY WITH MODIFIED COMPONENTS	L.V	11-06-03	8184
0	FIRST ISSUE	L.V	18-06-02	----
REV.	CHANGE DETAILS	BY	DATE	CHG/No

1/4" PHONE STEREO DUAL JACK CUSTOMER DRAWING

Amphenol
Amphenol Australia Pty Ltd, 2 Finemays Blvd, Keysborough, Vic 3173

DRAWING NO. **55010156-502-2** SHEET **2 OF 2**