



USB and HDMI Keystone Inline Coupler

Technical Features

Snap-in mounting

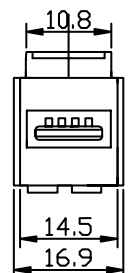
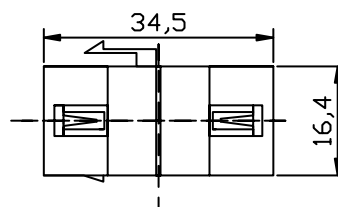
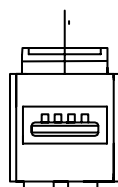
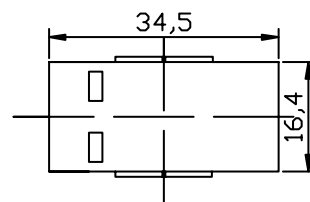
Gold plated contacts

For Keystone panels and outlets

2x Jack, 1:1 Pin-out

Technical Drawings

NK0013



www.logilink.com



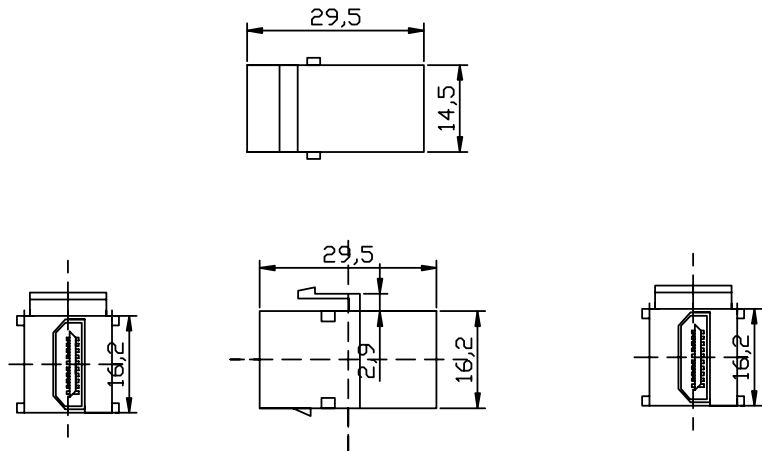
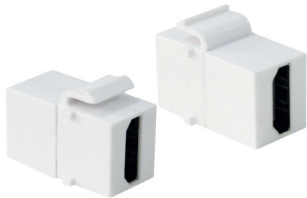
RoHS
compliant



Made in China

* The specifications and pictures are subject to change without notice.
*All trade names referenced are the registered namework of their respective owners.

NK0014



Part no.	Type	EAN Code
NK0013	USB-A	4052792027969
NK0014	HDMI	4052792027976

Package Contents

USB and HDMI Keystone Inline Coupler x 1

Packaging Informations (NK0013)

Packing Dimension	30 x 20 x 16mm
Packing Weight	0.02kg
Carton Dimension	325 x 295 x 320mm
Carton Q'ty	500pcs
Carton Weight	5.5kg

www.logilink.com



RoHS
compliant



Made in China

* The specifications and pictures are subject to change without notice.
*All trade names referenced are the registered trademark of their respective owners.

Packaging Informations (NK0014)

Packing Dimension	30 x 20 x 17mm
Packing Weight	0.02kg
Carton Dimension	325 x 295 x 320mm
Carton Q'ty	500pcs
Carton Weight	5.5kg

