

REV.	DESCRIPTION	DRAWN	CHECKED	APPROVED
A	NEW RELEASE	LL 11/15/06'		LJC 11/15/06'
B	Drawing Update	JLZ 11/03/14'		LJC 11/03/14'
C	Drawing Update	JLZ 09/05/16'		

NOTES:

1. MATERIALS

- . Insulator: thermoplastic, UL 94V-0 Rated
- . Contacts: Copper Alloy
- . Shell: Steel

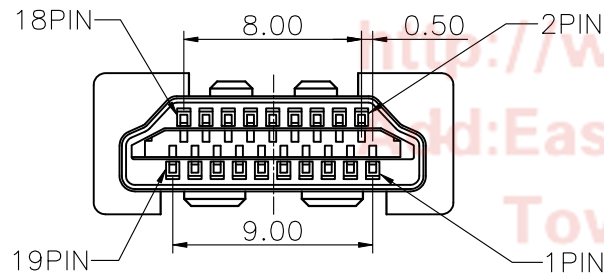
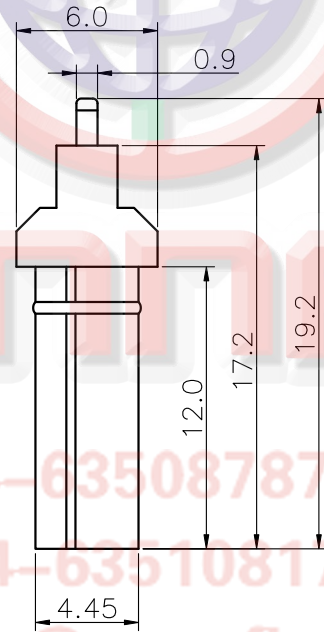
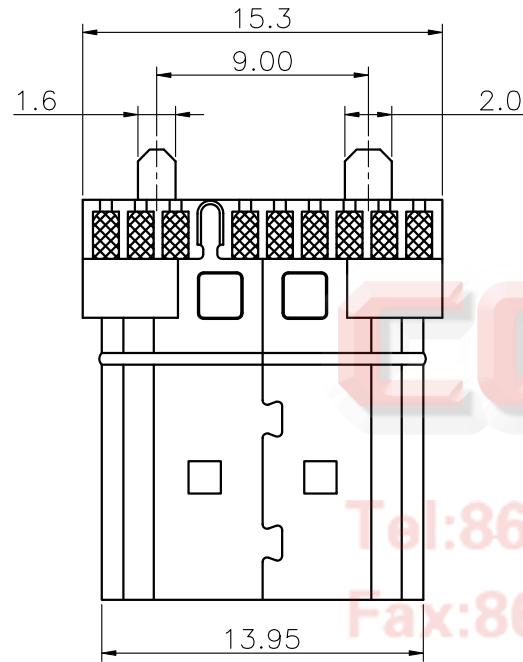
2. SPECIFICATION

- . Contact resistance: 50mΩ max.
- . Insulation resistance: 100MΩ min.
- . Dielectric withstanding voltage: 100 VAC 1 minute.
- . Temperature range: -40°C to +105°C.

3. PRODUCT NUMBER CODE:

DS1117 - X X X

- Contact plating  
0: selective gold flash
- Shell plating  
8: Full Gold Flash  
N: Nickel
- Color of housing  
B: Black



GENERAL TOLERANCE		ANGLE TOLERANCE		PROJECTION		TITLE	HDMI 19PIN MALE Solder type			
X.	±0.60	X.	±5°	UNITS	mm	SHEET SIZE	A4	SERIES	DS1117	
.X	±0.38	.X	±3°							
.XX	±0.25	.XX	±2°							
DRAWING TYPE		CUSTOMER								
SCALE		1:1	SHEET		1 OF 1					
DRAWING NO.		C-DS1117-XXX-X-C								

晨翔电子有限公司  
CONNFLY CONNFLY ELECTRONIC CO. LTD

Tel:86-574-63508787  
Fax:86-574-63510817  
E-mail:sale@connfly.com  
http://www.connfly.com  
Address:East Industry Zone KuangYan  
Town Cixi Ningbo China  
P.C:315333