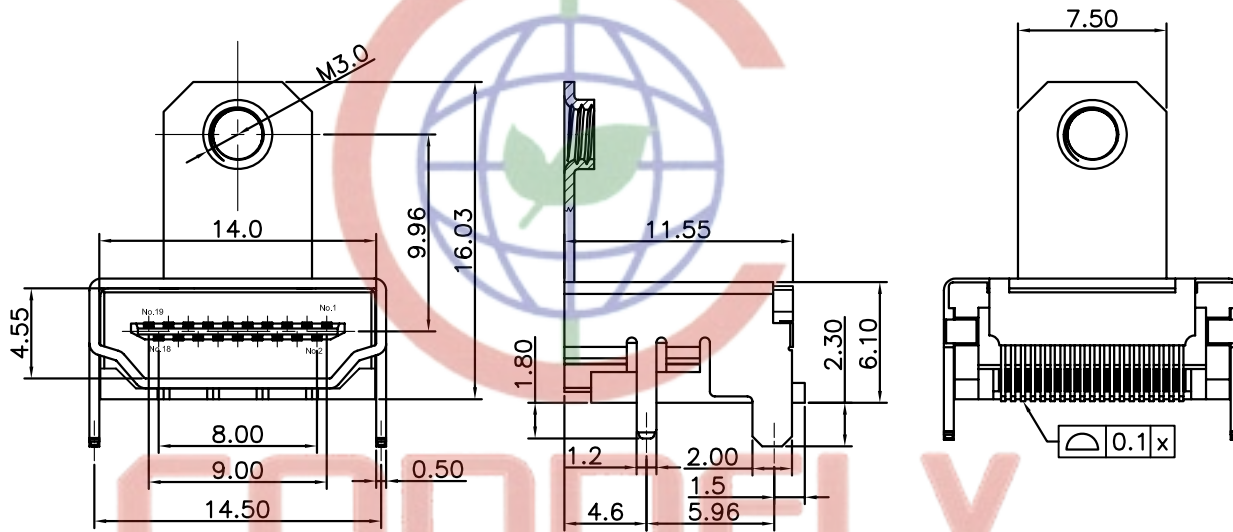


REV.	DESCRIPTION	DRAWN	CHECKED	APPROVED
A	NEW RELEASE	HP 18/07/05		



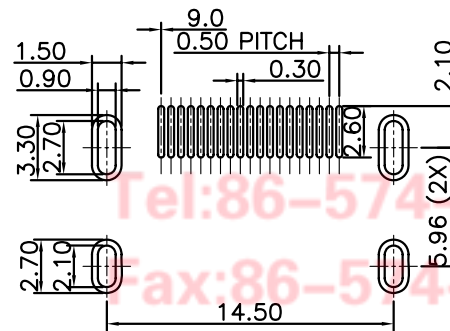
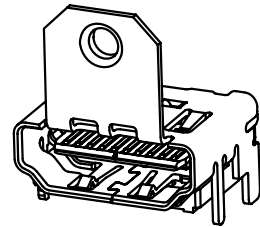
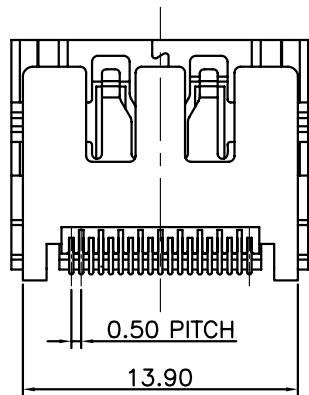
NOTES:

- MATERIALS
  - Insulator: thermoplastic, UL 94V-0 Rated
  - Contacts: Copper Alloy
  - Shell: Copper Alloy
- SPECIFICATION
  - Contact resistance: 50mΩ max.
  - Insulation resistance: 100MΩ min.
  - Dielectric withstanding voltage: 100 VAC 1 minute.
  - Temperature range: -40°C to +80°C.


3. PRODUCT NUMBER CODE:

DS1115 - X X X

- Contact plating
  - 0: selective gold flash
  - C: selective 3u" gold
  - 1: selective 10u" gold
- Shell plating
  - 6: Tin
  - N: Nickel
- Color of housing
  - B: Black



RECOMMEND P.C.B LAYOUT  
(Tolerance±0.05)

GENERAL TOLERANCE	ANGLE TOLERANCE	PROJECTION	⊕ - ∟	TITLE	HDMI Female 19PIN SMT WITH FLANGE
X. ±0.60	X. ±5°	UNITS	mm	SHEET SIZE	A4
.X ±0.38	.X ±3°	SHEET SIZE	A4	SERIES	DS1115
.XX ±0.25	.XX ±2°	 <b>晨翔电子有限公司</b> <b>CONNFLY CONNFLY ELECTRONIC CO. LTD</b>			
DRAWING TYPE	CUSTOMER				
SCALE	1:1 SHEET 1 OF 1				
DRAWING NO.	C-DS1115-XXX				