

F

E

D

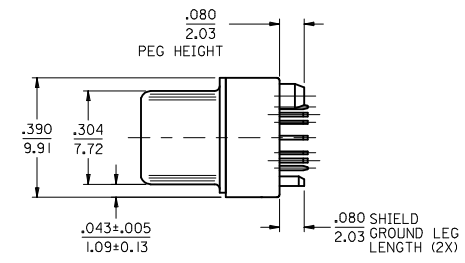
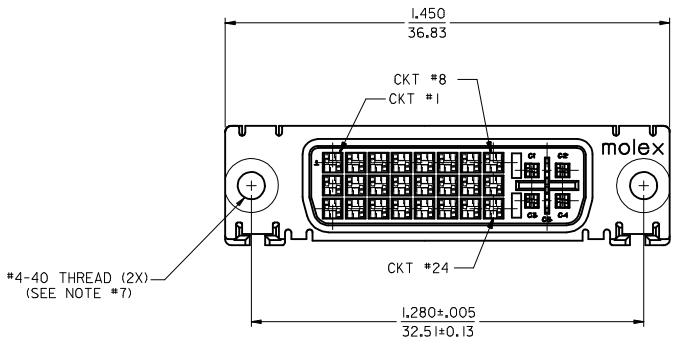
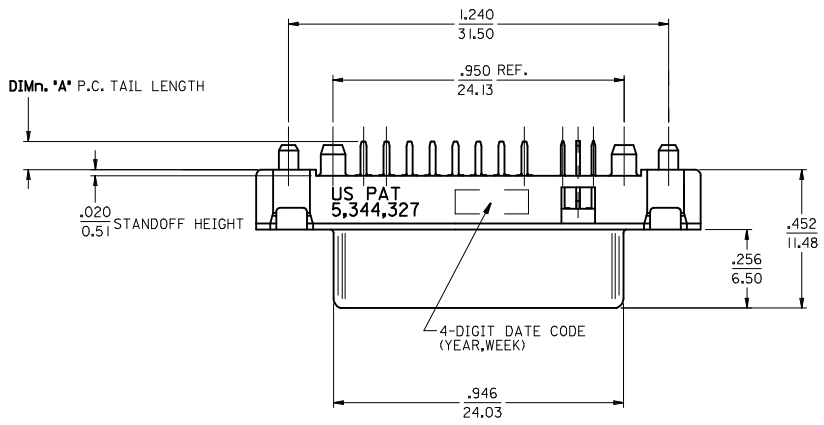
C

B

A

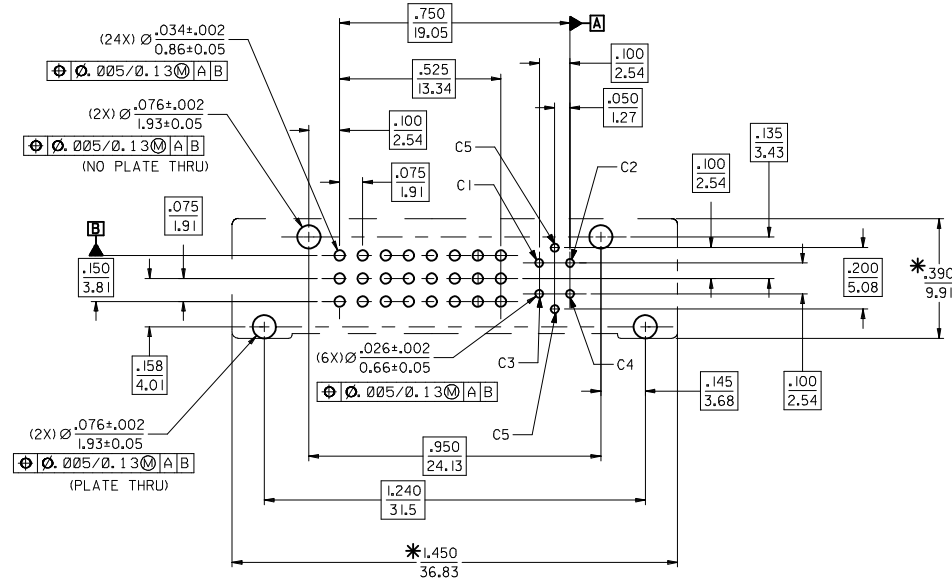
NOTES:

1. MATERIAL:
SHIELD: DEEP DRAW STEEL;
HOUSING: LCP, UL94V-0, NATURAL (WHITE);
CONTACT: COPPER ALLOY.
2. PLATING: SEE SHEET 2.
3. PRODUCT CONFORMS TO MOLEX PRODUCT SPECIFICATION NUMBER PS-74320-001.
4. SEE SHEET 2 FOR RECOMMENDED PANEL CUT-OUT AND P.C.B. LAYOUT.
5. PARTS WILL BE PACKAGED IN TRAYS PER PK-74320-010.
6. PRODUCT CONFORMS TO DDWG DVI SPECIFICATION. REFER TO THIS SPECIFICATION FOR CONNECTOR MATING DIMENSIONS.
7. RECOMMENDED MOUNTING HARDWARE IS MOLEX P/N 71781-0001 OR 82007-0300 OR 88780-6066. REFER TO PRODUCT SPECIFICATION NUMBER PS-74320-001 FOR THIS APPLICATION TORQUE REQUIREMENT FOR ASSMBLING MOUNTING HARDWARE.



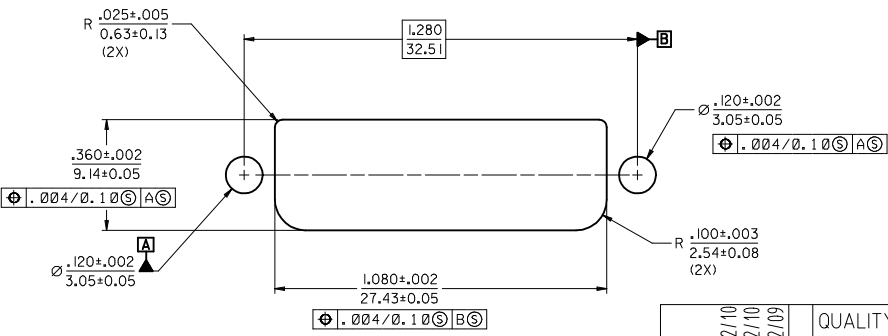
PART NUMBER	PLATING OPTION	DIM A
74320-3000	1	0.092/2.34
74320-3001	1	0.050/1.27
74320-3004	2	0.092/2.34
74320-3005	2	0.050/1.27

REVISED EC NO: SH2015-0200 DRWN:XQZHANG 2014/12/10 CHKD:XQZHANG 2014/12/10 APPR:AYIN 2015/02/09	QUALITY SYMBOLS	GENERAL TOLERANCES (UNLESS SPECIFIED)	DIMENSION STYLE	SCALE	DESIGN UNITS	THIRD ANGLE PROJECTION	
	$F_{\Delta} = 0$ $F_{\sigma} = 0$ $F_{\beta} = 0$	4 PLACES ± --- ± --- 3 PLACES ± --- ± 0.010 2 PLACES ± 0.25 ± 0.010 1 PLACE ± 0.25 ± 0.010 0 PLACE ± --- ± ---	IN/MM DRAWN BY: XQZHANG CHECKED BY: XQZHANG APPROVED BY: AYIN DATE: 2014/12/10	1:1 DATE: 2015/02/09	INCH	DVI - INTERGRATED VERTICAL RECEPTACLE CONNECTOR molex	
	ANGULAR ± 0.5° DRAFT WHERE APPLICABLE MUST REMAIN WITHIN DIMENSIONS	SEE TABLE	MATERIAL NO. DOCUMENT NO.	SD-74320-002		SHEET NO. 1 OF 2	
			THIS DRAWING CONTAINS INFORMATION THAT IS PROPRIETARY TO MOLEX INCORPORATED AND SHOULD NOT BE USED WITHOUT WRITTEN PERMISSION				



RECOMMENDED PCB LAYOUT

*THESE DIMENSIONS REPRESENT CONNECTOR OVERLAY ON PCB.



RECOMMENDED PANEL CUT-OUT
PANEL THICKNESS: 030/0.76 - .040/1.02

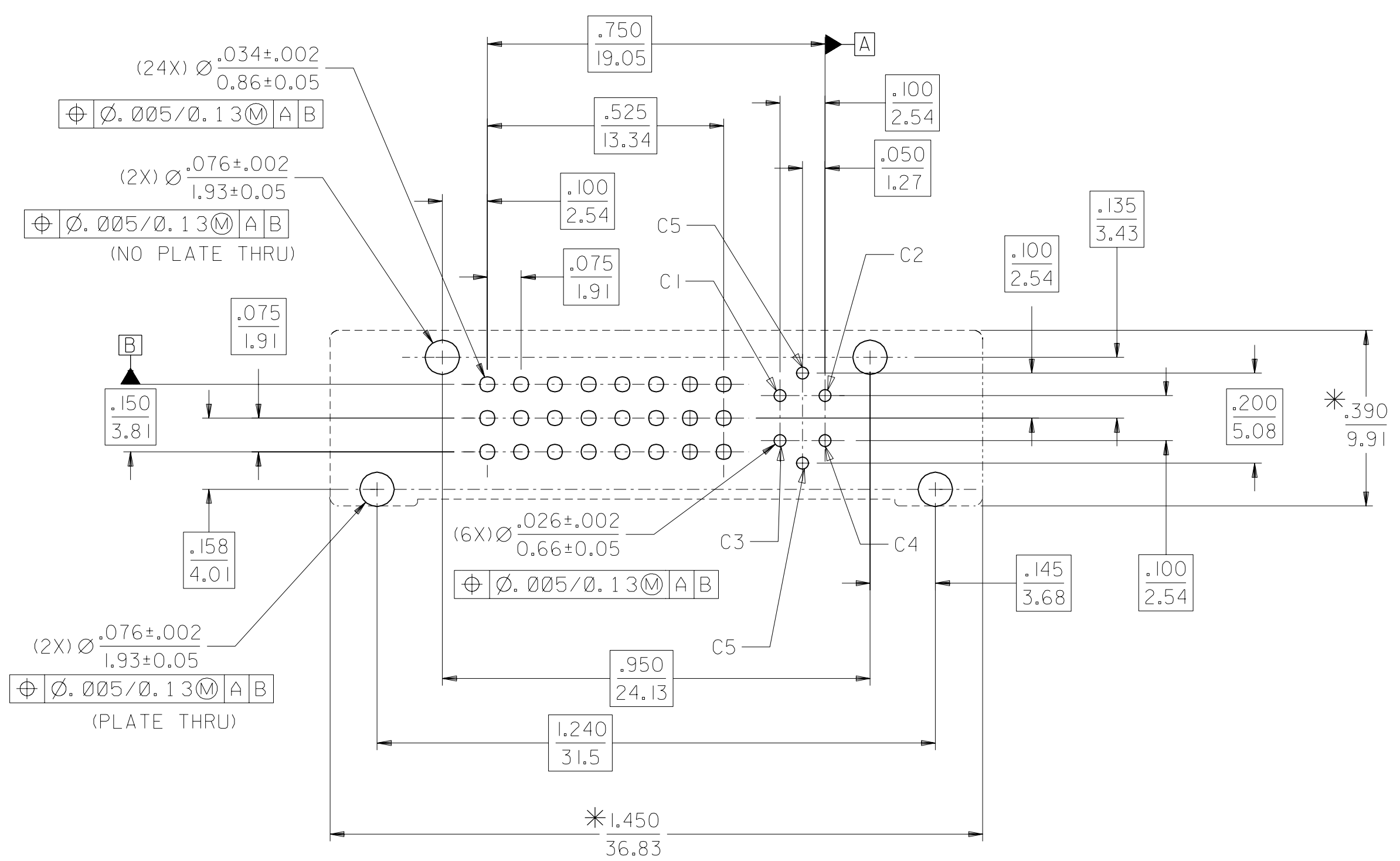
PLATING OPTIONS:

PLATING OPTION #1:
 OUTER SHIELD -- 150u"/3.75um MIN. BRIGHT TIN OVER
 50u"/1.27um MIN. NICKEL OVER COPPER FLASH.
 .075"/1.91mm CONTACTS -- 30u"/0.75um MIN. SELECT GOLD AND
 100u"/2.50um MIN. SELECT PURE TIN
 OVER 50u"/1.27um MIN. NICKEL OVERALL.
 .100"/2.54mm CONTACTS -- 30u"/0.75um MIN. SELECT GOLD AND
 100u"/2.50um MIN. SELECT PURE TIN
 OVER 50u"/1.27um MIN. NICKEL OVERALL.

PLATING OPTION #2:

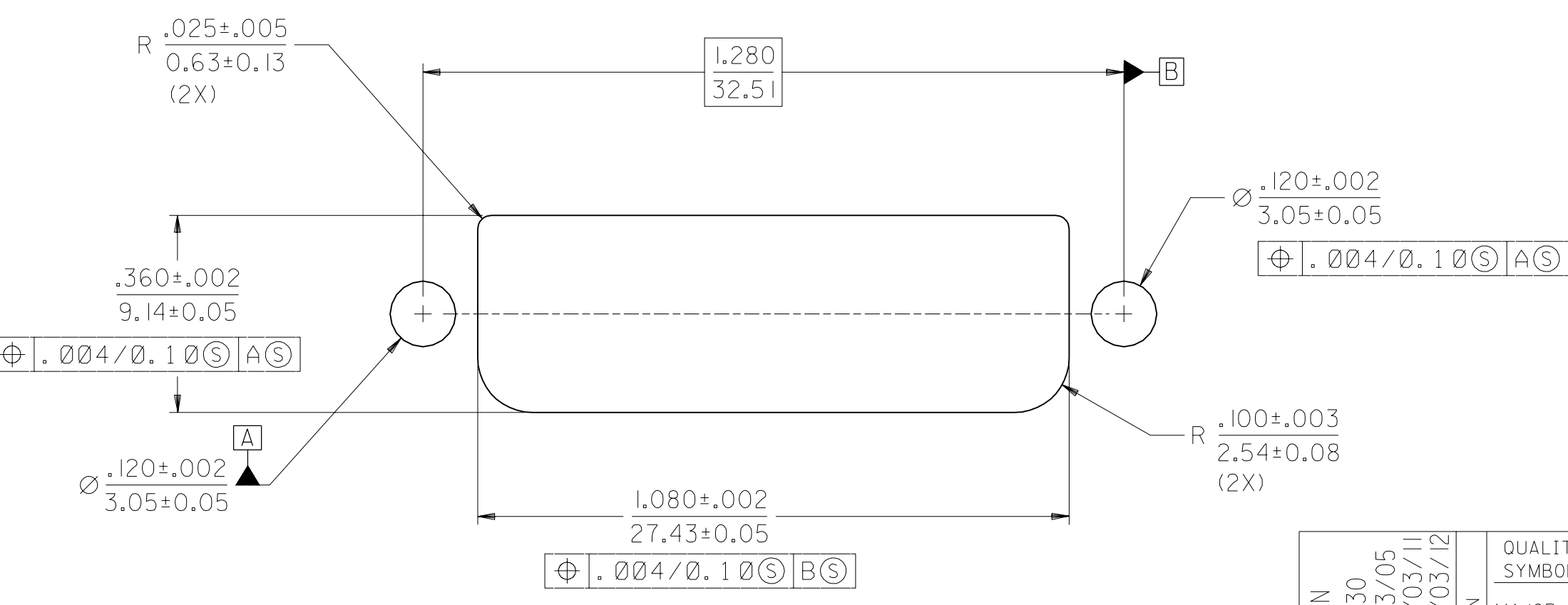
OUTER SHIELD -- 150u"/3.75um MIN BRIGHT TIN OVER
 50u"/1.27um MIN. NICKEL OVER COPPER FLASH.
 .075"/1.91mm CONTACTS -- SELECT GOLD FLASH AND
 100u"/2.50um MIN. SELECT PURE TIN
 OVER 50u"/1.27um MIN. NICKEL OVERALL.
 .100"/2.54mm CONTACTS -- SELECT GOLD FLASH AND
 100u"/2.50um SELECT PURE TIN
 OVER 50u"/1.27um MIN. NICKEL OVERALL.

SEE SHEET 1 EC NO: SHZ015-0200 DRWN: XQZHANG CHKD: XQZHANG APPR: AYIN 2014/12/10 2014/12/10 2015/02/09	QUALITY SYMBOLS	GENERAL TOLERANCES (UNLESS SPECIFIED)	DIMENSION STYLE	SCALE	DESIGN UNITS	THIRD ANGLE PROJECTION
	$F_A = 0$ $F_C = 0$ $F_P = 0$	mm INCH 4 PLACES ± --- ± --- 3 PLACES ± --- ± 0.10 2 PLACES ± 0.25 ± 0.10 1 PLACE ± 0.25 ± 0.10 0 PLACE ± --- ± ---	IN/MM	1:1	INCH	
	DRAWN BY: XQZHANG CHECKED BY: XQZHANG APPROVED BY: AYIN DATE: 2014/12/10 DATE: 2014/12/10 DATE: 2015/02/09	MATERIAL NO. SEE SHEET 1	TITLE DVI - INTERGRATED VERTICAL RECEPTACLE CONNECTOR			
	ANGULAR ±0.5° DRAFT WHERE APPLICABLE MUST REMAIN WITHIN DIMENSIONS	DOCUMENT NO. SD-74320-002	SHEET NO. 2 OF 2			



RECOMMENDED PCB LAYOUT

* THESE DIMENSIONS REPRESENT CONNECTOR OVERLAY ON PCB.



RECOMMENDED PANEL CUT-OUT
PANEL THICKNESS: .030/0.76 - .040/1.02

PLATING OPTIONS:

PLATING OPTION #1:

- OUTER SHIELD -- 150u"/3.75um MIN. BRIGHT TIN OVER 50u"/1.27um MIN. NICKEL OVER COPPER FLASH.
- .075"/1.91mm CONTACTS -- 30u"/0.75um MIN. SELECT GOLD AND 100u"/2.50um MIN. SELECT PURE TIN OVER 50u"/1.27um MIN. NICKEL OVERALL.
- .100"/2.54mm CONTACTS -- 30u"/0.75um MIN. SELECT GOLD AND 100u"/2.50um MIN. SELECT PURE TIN OVER 50u"/1.27um MIN. NICKEL OVERALL.
- MICROCROSS GROUND -- 30u"/0.75um MIN. SELECT GOLD AND 100u"/2.50um MIN. SELECT PURE TIN OVER 50u"/1.27um MIN. NICKEL OVERALL.

PLATING OPTION #2:

- OUTER SHIELD -- 150u"/3.75um MIN BRIGHT TIN OVER 50u"/1.27um MIN. NICKEL OVER COPPER FLASH.
- .075"/1.91mm CONTACTS -- SELECT GOLD FLASH AND 100u"/2.50um MIN. SELECT PURE TIN OVER 50u"/1.27um MIN. NICKEL OVERALL.
- .100"/2.54mm CONTACTS -- SELECT GOLD FLASH AND 100u"/2.50um SELECT PURE TIN OVER 50u"/1.27um MIN. NICKEL OVERALL.
- MICROCROSS GROUND -- 30u"/0.75um MIN. SELECT GOLD AND 100u"/2.50um MIN. SELECT PURE TIN OVER 50u"/1.27um MIN. NICKEL OVERALL.

MODIFICATION EC NO. SH2004-0130 DRWN: DXUE 04/03/05 CHK: HARVEY 04/03/11 APPR: SHUANG 04/03/12	QUALITY SYMBOLS MAJOR = 0 CRITICAL = 0	GENERAL TOLERANCES: (UNLESS SPECIFIED)		SCALE 4 : 1	DESIGN UNITS <input type="checkbox"/> mm <input checked="" type="checkbox"/> INCH	THIRD ANGLE PROJECTION	DIMENSIONS: <input type="checkbox"/> INCH ONLY <input type="checkbox"/> mm ONLY	SHT REV		
		4 PLACES ±0. ±.	3 PLACES ±0. ±.010	2 PLACES ±0.25 ±.010	1 PLACE ±0. ±.	DRAWN BY & DATE MOSULLIV 97/03/06	TITLE: DVI - INTEGRATED VERTICAL RECEPTACLE CONNECTOR			
		ANGULAR: ± 1/2°				CHECKED BY & DATE MOSULLIV 97/03/07	MOLEX INCORPORATED			
		DRAFT WHERE APPLICABLE MUST REMAIN WITHIN DIMENSIONS				APPROVED BY & DATE NELLIGAN 97/03/07	CAD FILENAME SD74320002.S02	MATERIAL NO. SEE CHART	DRAWING NO. SD-74320-002	SHEET NO. 2
THIS DRAWING CONTAINS INFORMATION THAT IS PROPRIETARY TO MOLEX INCORPORATED AND SHOULD NOT BE USED WITHOUT WRITTEN PERMISSION.								SIZE C		