

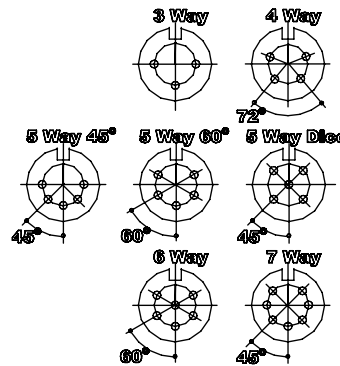
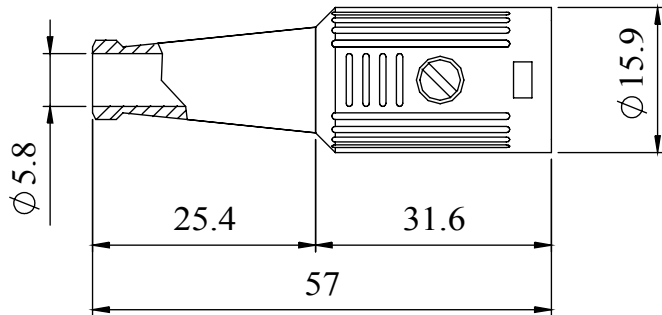
A fully screened robust range of DIN connectors for use in instrumentation and audio applications. Available in two finishes; bright nickel and non-reflective electrically conductive matt black. Robust construction incorporating cable grip and strain relief.

This line socket mates with all standard and lockable plugs.

Manufactured to DIN 41524, 45322, 45326, 45327 and 45329.

<b>Materials</b>	
Housing	Zinc Alloy
	Sprayed with Matt Black Conductive Paint
Moulding	Nylon
Contacts	Brass Silver Plated
Cable Clamp	Mild steel Zinc Plated
Grommet	Black P,V,C
<b>Electrical</b>	
Rated Voltage	34 V a.c. or d.c.
Current Rating	2.A
Test Voltage	500 V r.m.s.
Insulation Resistance	103 MΩ min at 100 V d.c
Contact Resistance	10 mΩ max
Capacitance (mated)	3pF
<b>Climatic</b>	
Climatic category	25/070/21
Temperature Range	-25°C to +70°C
Damp heat, steady state	21 days

### Dimensions



Type	Deltron No
3 Way	601-0300
4 Way	601-0400
5 Way 45°	601-0500
5 Way 60°	601-0510
5 Way Dice	601-0520
6 Way	601-0601
7 Way	601-0700

**RoHS**  
2002/95/EC  
  
**Compliant**

Tel No. +44(0)1724 273200 Website www.dem-uk.com

PROPRIETARY AND CONFIDENTIAL  
THE INFORMATION CONTAINED IN THIS DRAWING IS THE SOLE PROPERTY OF  
ALPHA 3 MANUFACTURING.  
ANY REPRODUCTION IN PART OR AS A WHOLE WITHOUT THE WRITTEN PERMISSION OF  
ALPHA 3 MANUFACTURING IS PROHIBITED.

UNLESS OTHERWISE SPECIFIED:  
DIMENSIONS ARE IN MILLIMETRES  
LINEAR TOLERANCE:  
**NO DECIMAL PLACES ±0.5mm**  
**1 DECIMAL PLACE ±0.25mm**  
**2 DECIMAL PLACES ±0.125mm**  
**ANGULAR TOLERANCE: ±1°**

FINISH SCREENED DIN CONNECTOR LINE SOCKET (BLACK)  
DEBURR AND BREAK SHARP EDGES  
DRAWN BY SPB  
APPROVED BY WC  
THIRD ANGLE PROJECTION  
IF IN DOUBT ASK  
DO NOT SCALE DRAWING

MATERIAL

SEE NOTE

SCALE 1:1

A4

TITLE GENERAL SPECIFICATION

601 SERIES CONNECTOR

DRAWING NO. 601 SERIES

ISSUE **04**

Release



DEM Manufacturing, Deltron Emcon House  
Hargreaves Way, Sawcliffe Ind. Park,  
Scunthorpe, North Lincolnshire, DN15 8RF, UK