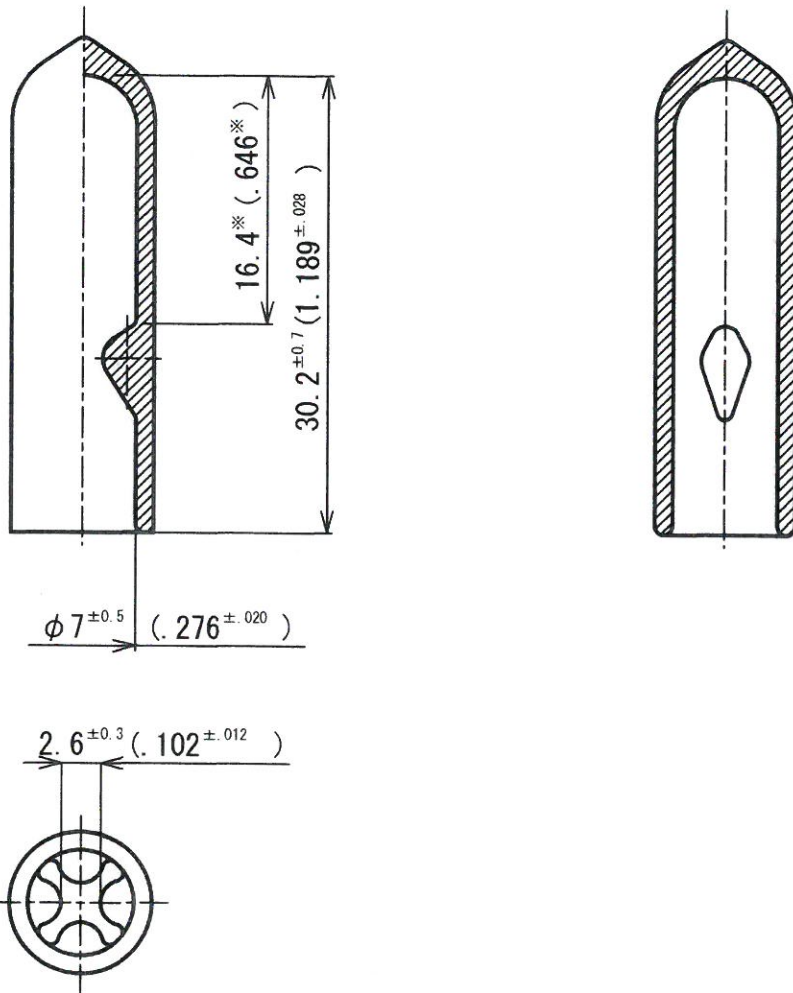


1	2	3	4
No.	Date	Revision Record	Drawn/Check



Note

1. Inch Dimension Shown in ().
2. ※ Reference Dimension.



		Vinyl		t=1.2min			
No.	Parts Name	Material	Thick	Q'ty	Treatment	Wire Size	
Messrs.				Part Number		END V-S	
Scale	Approved	Checked	Design	Drawn	Title		
2	<i>[Signature]</i>	<i>H. Miyata</i>	<i>M. Nakazato</i>	<i>S. Teramoto</i>	Insulation caps for Open end connector (for E-S)		
1	K. Hamada	H. Miyata	M. Nakazato	S. Teramoto	Drawing No. 14-00336-00		
Date		2016. 5. 31			Revision No.		0