

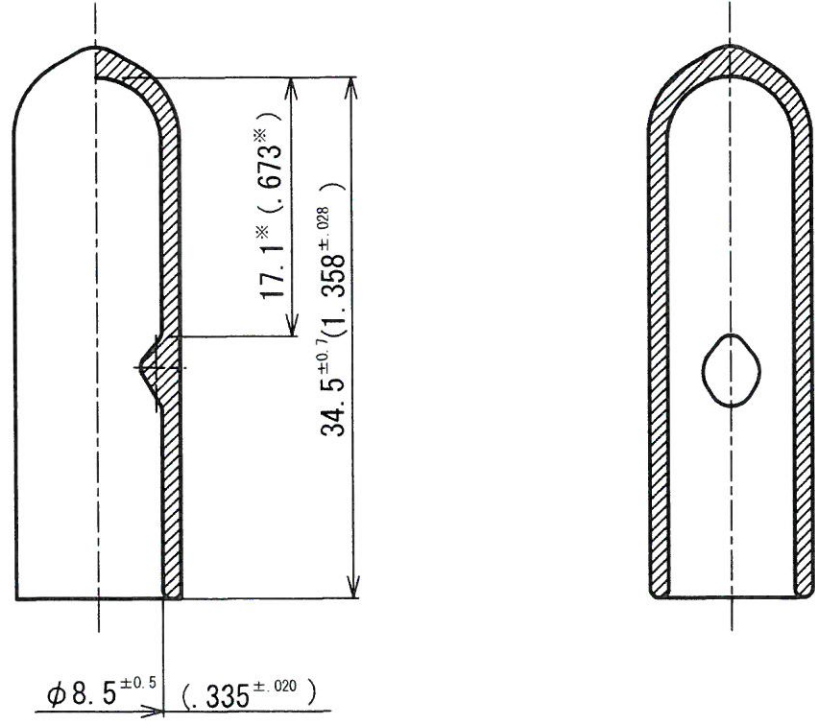
1

2

3

4

No.	Date	Revision Record	Drawn	Check
-----	------	-----------------	-------	-------



Note  
 1. Inch Dimension Shown in ( ).  
 2. \* Reference Dimension.



		Vinyl		t=1.2min				
No.	Parts Name	Material	Thick	Q'ty	Treatment	Wire Size		
Messrs.				Part Number	END V-L			
Scale	Approved	Checked	Design	Drawn	Title	Insulation caps for Open end connector (for E-M and E-L)		
2	<i>K. Hamada</i>	<i>H. Miyata</i>	<i>M. Nakazato</i>	<i>S. Teramoto</i>	<i>R. Kuriyama</i>	Drawing No.	14-00337-00	
1	K. Hamada	H. Miyata	M. Nakazato	S. Teramoto	R. Kuriyama	R. Kuriyama	Revision No.	0
Date		2016. 5. 31						