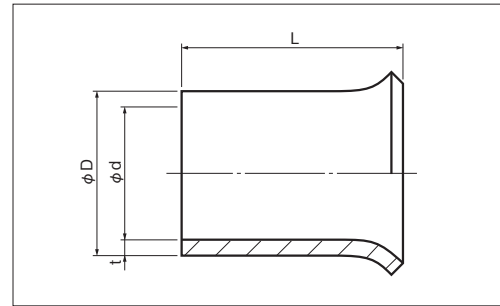


OPEN END CONNECTORS (E TYPE)

JIS C 2806



A



PART NUMBER	DIMENSIONS mm				RATED CURRENT A	TOOL No.	STD QTY/BOX
	L	φD	φd	t		HAND TOOL No.	
E-S (小) ●	10.5	5.0	4.0	0.5	20	NHE 4	1,000 (100×10)
E-M (中) ●		6.9	5.3	0.8	30		
E-L (大) ●		7.7	6.1				

NOTE

- : JIS (JAPANESE INDUSTRIAL STANDARDS)
- Use only in an electrical joint box

EXAMPLE OF WIRE COMBINATIONS

PART NUMBER	OPEN END CONNECTORS				Die indication
	φ1.6 (mm)	φ2.0 (mm)	φ2.6 (mm)	In case of different wire size (mm)	
E-S (小)	2	—	—	1.6×1+0.75mm ² ×1 1.6×2+0.75mm ² ×1	1.6×2 小
	3~4	2	—	2.0×1+1.6×1~2	小
E-M (中)	5~6	3~4	2	2.0×1+1.6×3~5 2.6×1+1.6×1~3 2.0×2+1.6×1~3 2.6×1+2.0×1~2 2.0×3+1.6×1 2.6×2+1.6×1 2.6×1+2.0×1+1.6×1~2	中
E-L (大)	7	5	3	2.0×1+1.6×6 2.6×1+2.0×3 2.0×2+1.6×4 2.6×2+1.6×2 2.0×3+1.6×2 2.6×2+2.0×1 2.0×4+1.6×1 2.6×1+2.0×2+1.6×1	大