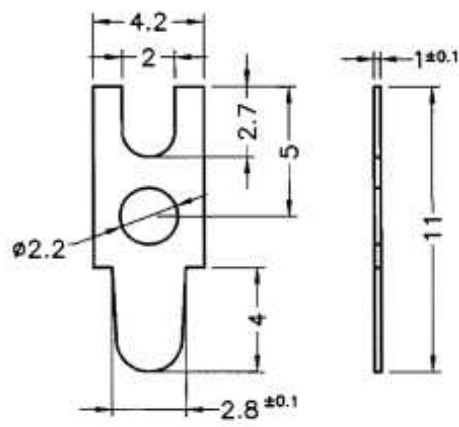


REVISIONS			
REV	DESCRIPTION	DATE	BY



HOLE IN P.C.B $\phi 3.0$

PART NUMBER PIN-2		DRAWING NUMBER PIN-2H		TITLE	
				TERMINAL MATERIAL BRASS	DATE 1998.07.24
				FINISH TIN PLATED	DRAWN
				COLOR	CHECK
SIZE A4	SCALE 5:1	UNIT mm	REV A	UNLESS OTHERWISE SPECIFIED TOLERANCE ±0.2	APPROVED