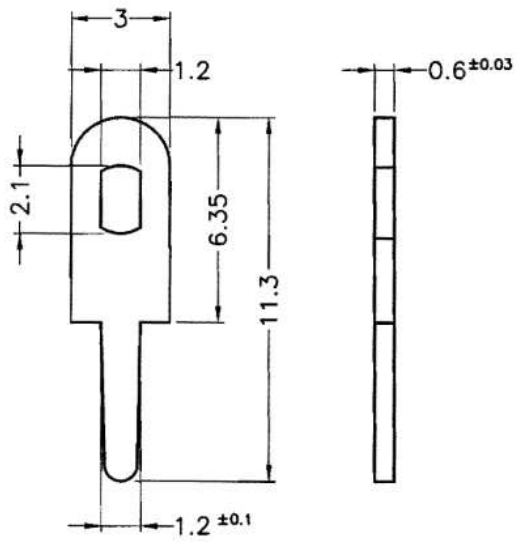


REVISIONS			
REV	DESCRIPTION	DATE	BY



HOLE IN P.C.B $\phi 1.2 \sim 1.3$

PART NUMBER PIN-1		DRAWING NUMBER PIN-1H		TITLE		
				MATERIAL BRASS		DATE 1999.06.29
				FINISH TIN PLATE		DRAWN
				COLOR		CHECK
SIZE A4	SCALE 5:1	UNIT mm	REV A	UNLESS OTHERWISE SPECIFIED TOLERANCE ±0.2		
				APPROVED		